

Data interface - SI-SES-U1A/0,6 - 1404514

Please be informed that the data shown in this PDF Document is generated from our Online Catalog. Please find the complete data in the user's documentation. Our General Terms of Use for Downloads are valid (<http://phoenixcontact.com/download>)

Service socket with USB (socket/plug), type A with 0.6 m cable



RoHS

Key Commercial Data

Packing unit	1 pc
GTIN	
GTIN	4046356698542

Technical data

Mechanical characteristics

Number of positions	4
Connection profile	USB-A
Shielded	yes
Insertion/withdrawal cycles	≥ 1500
Cable diameter	6.10 mm
Length of cable	0.6 m

Ambient conditions

Ambient temperature (operation)	-5 °C ... 70 °C
Degree of protection	IP20 (when plugged in)
	IP65 (with closed protective cover)

Material data

Flammability rating according to UL 94	V0
Contact material	Copper alloy
Contact surface material	Au
Material	PA (Socket)
	PVC (Plug)
Outer sheath, material	PVC

Data interface - SI-SES-U1A/0,6 - 1404514

Technical data

Material data

External sheath, color	black
------------------------	-------

Electrical characteristics

Number of positions	4
Transmission speed	max. 5 Gbps (USB-A:3.0)
Degree of pollution	3
Rated voltage (III/3)	max. 30 V AC/DC (USB-A)

Standards and Regulations

Flammability rating according to UL 94	V0
--	----

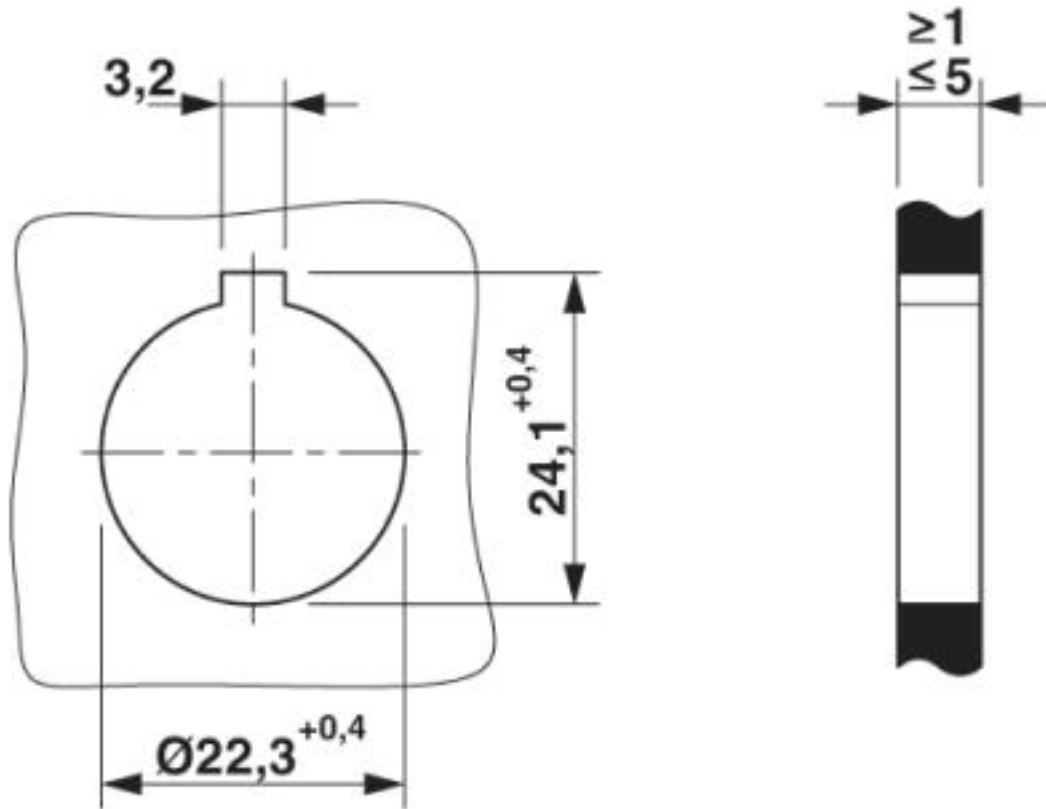
Environmental Product Compliance

REACH SVHC	Lead 7439-92-1
China RoHS	Environmentally Friendly Use Period = 50
	For details about hazardous substances go to tab "Downloads", Category "Manufacturer's declaration"

Drawings

Data interface - SI-SES-U1A/0,6 - 1404514

Dimensional drawing



Mounting cutout

Approvals

Approvals

Approvals

EAC / EAC

Ex Approvals

Approval details

EAC		EAC-Zulassung
-----	--	---------------

Data interface - SI-SES-U1A/0,6 - 1404514

Approvals

EAC



RU C-
DE.A*30.B.01102

Phoenix Contact 2019 © - all rights reserved
<http://www.phoenixcontact.com>

PHOENIX CONTACT GmbH & Co. KG
Flachsmarktstr. 8
32825 Blomberg
Germany
Tel. +49 5235 300
Fax +49 5235 3 41200
<http://www.phoenixcontact.com>