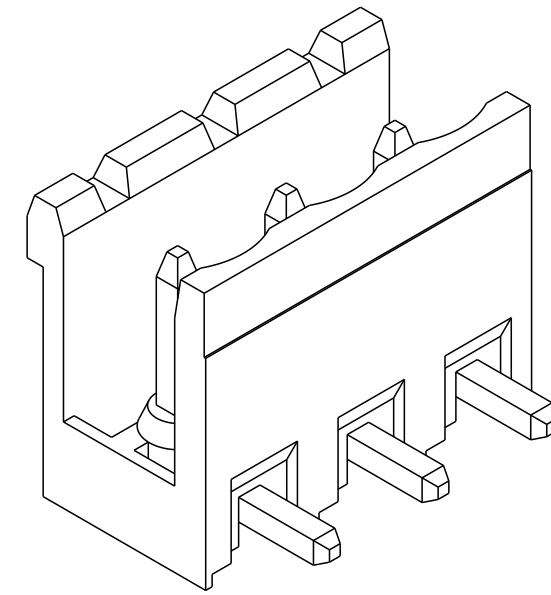
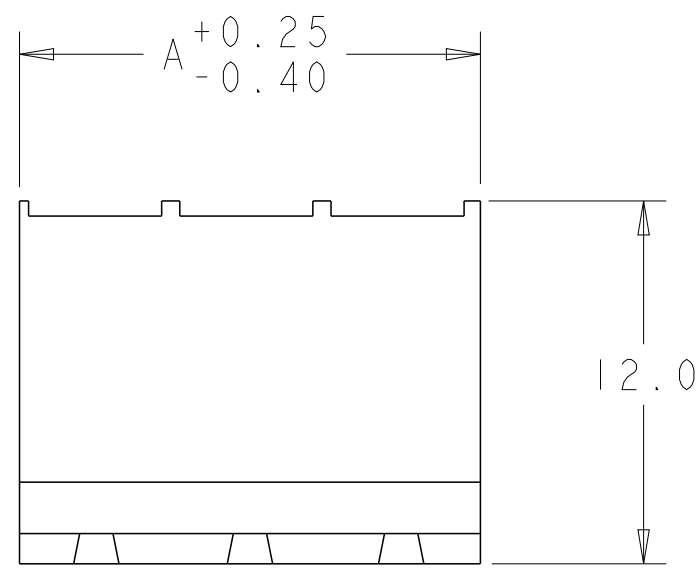


THIS DRAWING IS UNPUBLISHED. RELEASED FOR PUBLICATION
 © COPYRIGHT copyright.d8te- ALL RIGHTS RESERVED.

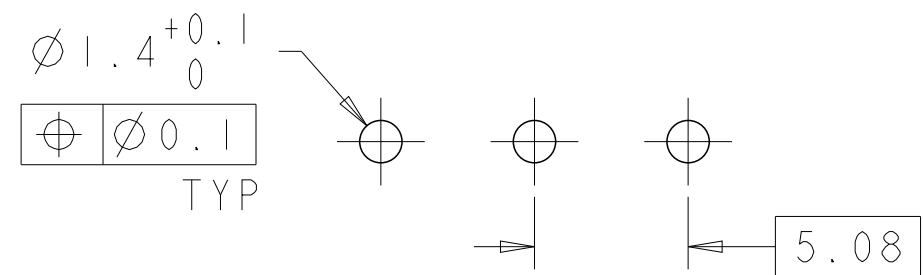
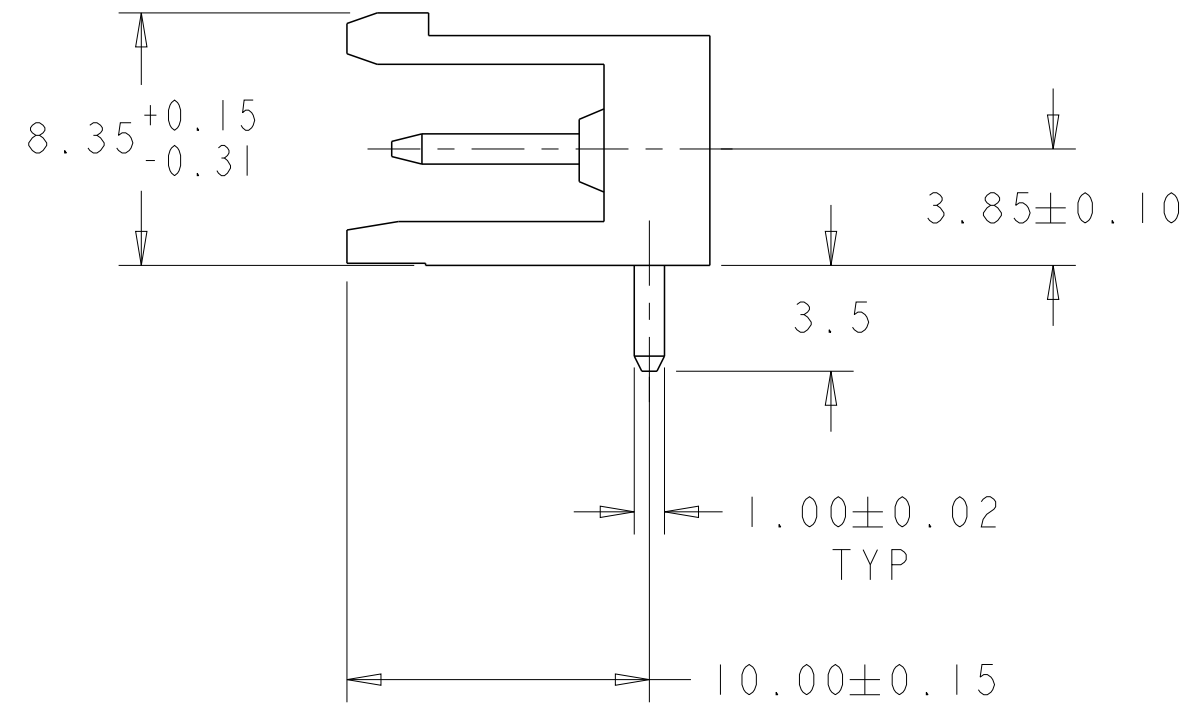
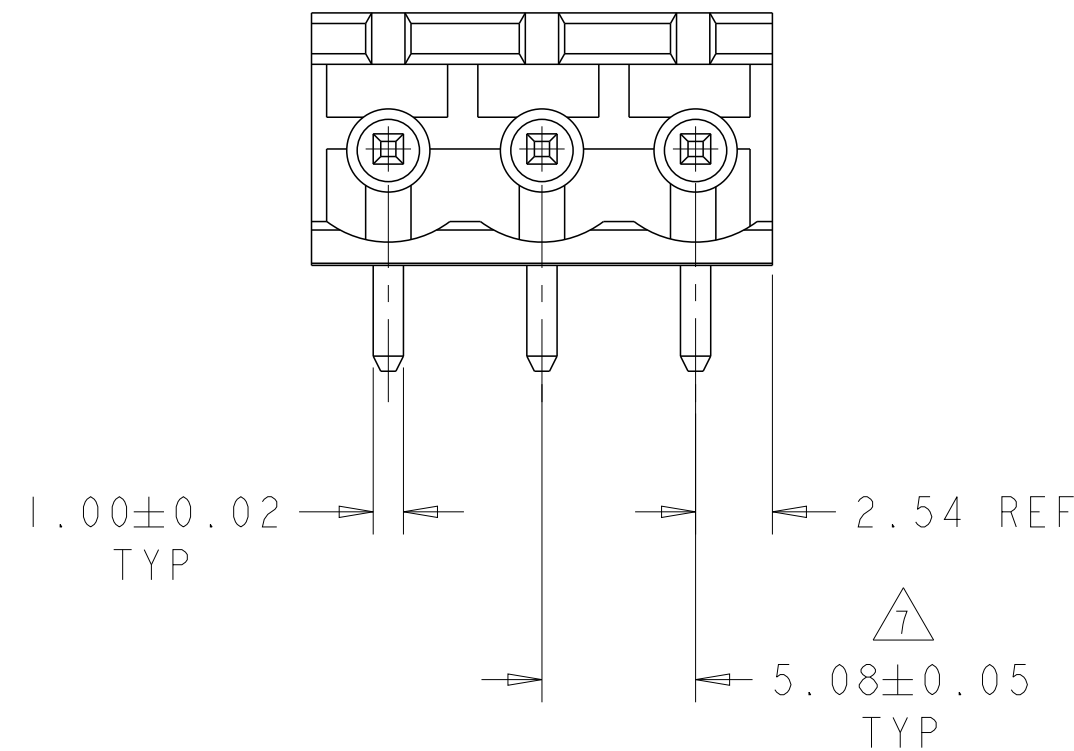
REVISIONS				
P	LTR	DESCRIPTION	DATE	APVD
B2		PN 1546518-3 ACTIVATED	23MAR2018	RK PS

NOTES:

- MATERIALS AND FINISH
 HOUSING: PA 6-6, UL 94-V0, COLOR BLACK.
 TERMINAL: COPPER ALLOY, TIN PLATED.
 - MECHANICAL
 MAX. INSERTION FORCE PER POLE : 3.0 N
 MIN. WITHDRAWAL FORCE PER POLE : 1.5 N
 MIN. PC BOARD HOLES DIAMETER : 1.4 mm
 MAX. PC BOARD THICKNESS : 2.4 mm
 - ELECTRICAL
 WIRE RANGE : 12-30 AWG
 MAX. VOLTAGE : 300 V
 MAX CURRENT : 15 A
 CONTACT RESISTANCE : <15 m Ohm
 INSULATION RESISTANCE : >1000 M Ohm (500V DC)
 - END-TO-END STACKABLE WITHOUT LOSS OF CENTERLINE SPACING.
 - RECOGNIZED UNDER THE COMPONENT PROGRAM OF UNDERWRITERS LABORATORIES INC. FILE NO E60677.
 - OPERATING TEMPERATURE RANGE: -40°C TO +110°C
- ⚠ NOT CUMULATIVE TOLERANCE.



1546518-3 AS SHOWN



RECOMMENDED PC BOARD LAYOUT

OBSOLETE	127.00	25	2-1546518-5
	121.92	24	2-1546518-4
	116.84	23	2-1546518-3
	111.76	22	2-1546518-2
	106.68	21	2-1546518-1
	101.60	20	2-1546518-0
	96.52	19	1-1546518-9
	91.44	18	1-1546518-8
	86.36	17	1-1546518-7
	81.28	16	1-1546518-6
	76.20	15	1-1546518-5
	71.12	14	1-1546518-4
	66.04	13	1-1546518-3
	60.96	12	1-1546518-2
	55.88	11	1-1546518-1
	50.80	10	1-1546518-0
	45.72	9	1546518-9
	40.64	8	1546518-8
	35.56	7	1546518-7
	30.48	6	1546518-6
25.40	5	1546518-5	
20.32	4	1546518-4	
15.24	3	1546518-3	
OBSOLETE	10.16	2	1546518-2
A	NO OF POSN	PART NUMBER	

THIS DRAWING IS A CONTROLLED DOCUMENT.		DWN S. WELDON 07FEB2003	TE Connectivity	
DIMENSIONS: mm		CHK C. RICHARD 07FEB2003		
TOLERANCES UNLESS OTHERWISE SPECIFIED:		APVD C. RICHARD 07FEB2003	NAME	
0 PLC ±-		PRODUCT SPEC	TERMINAL BLOCK HEADER ASSEMBLY, 90 DEG, OPEN ENDS, STACKING 5.08mm PITCH	
1 PLC ±.2		108-20166	SIZE	CAGE CODE
2 PLC ±.25		114-20079	A2	00779
3 PLC ±-		WEIGHT	DRAWING NO	RESTRICTED TO
4 PLC ±-			C-1546518	
ANGLES ±2°		CUSTOMER DRAWING	SCALE	SHEET
FINISH			4:1	OF 1
SEE NOTES				REV B2