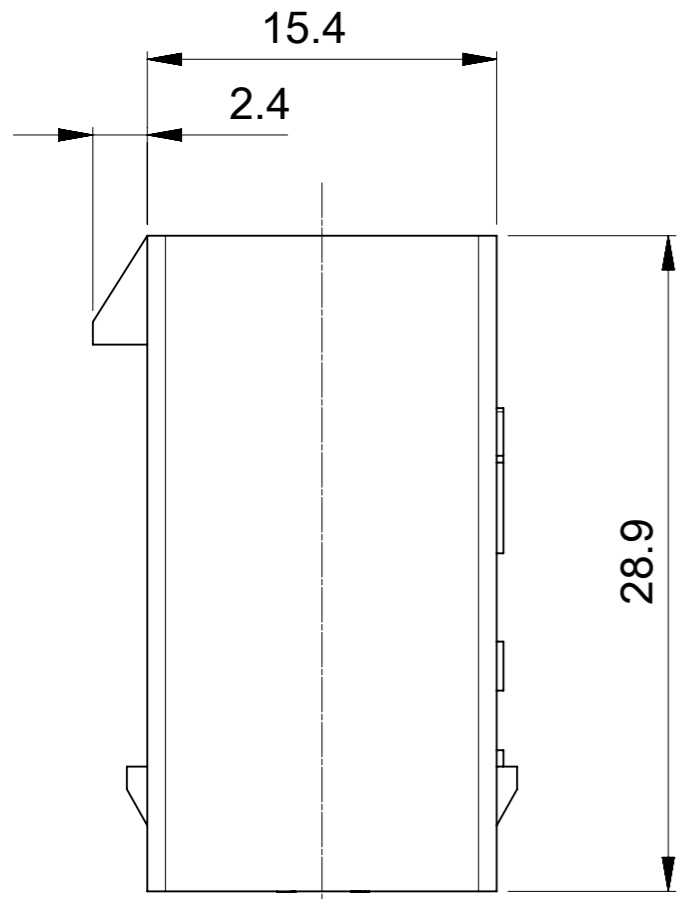
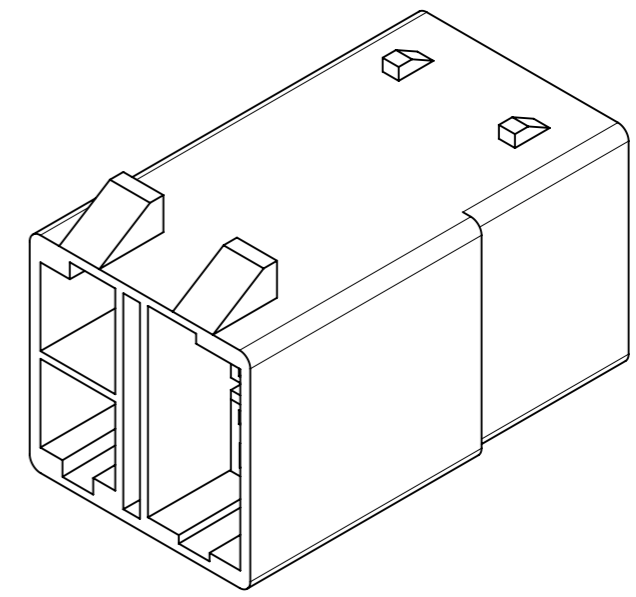
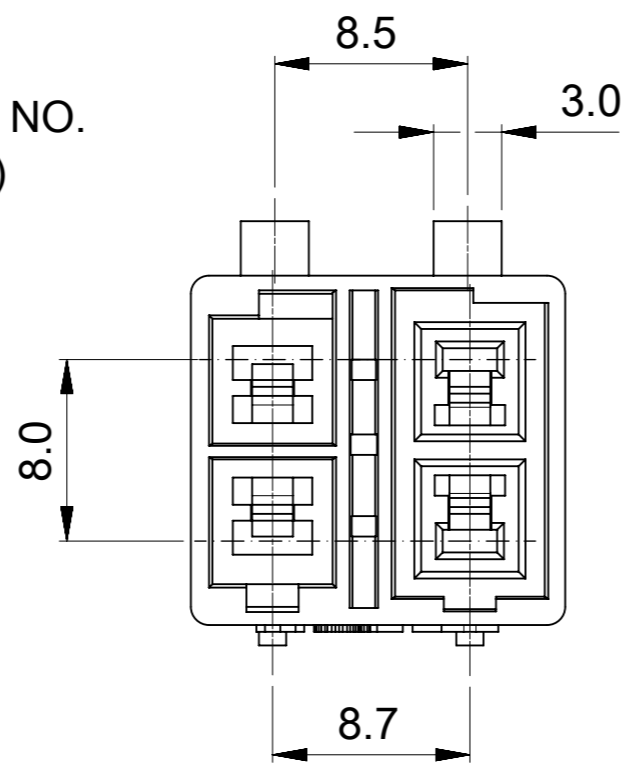
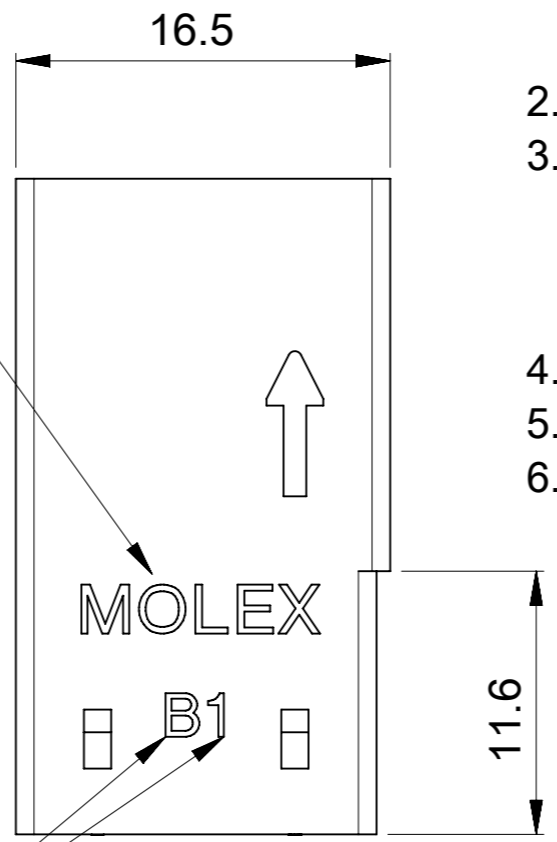


CIRCUIT NO.
(1,2,3,4)

VIEW "A"



TRADE MARK



TOOL & CAVITY NO.
(TOOL : A,B,C,..)
(CAVITY : 1,2,3,..)

VIEW "A"

NOTES

1. MATERIAL : PET/PC, UL94V-0, NATURAL COLOR
(GLOW WIRE CAPABLE HAVING AN IEC GWT RATING 750°C FOR THISH PRODUCT)
2. MATED HOUSING : 204102-0419
3. APPLICABLE TERMINAL : 35745-0*10 (1 CIRCUIT)
35747-0*10 (2 CIRCUIT)
35746-0*10 (3 CIRCUIT)
35748-0*10 (4 CIRCUIT)
4. APPLICABLE T.P.A : 35182-029*
5. PRODUCT SPECIFICATION : PS-2041020000
6. PAKAGING SPECIFICATION : PK-2041020609

SYMBOLS	THIS DRAWING CONTAINS INFORMATION THAT IS PROPRIETARY TO MOLEX ELECTRONIC TECHNOLOGIES, LLC AND SHOULD NOT BE USED WITHOUT WRITTEN PERMISSION		CURRENT REV DESC:		molex	
	DIMENSION UNITS	SCALE				
▽ = 0	mm	3:1			NEW 070 WTW MULTI RECEPTACLE HOUSING -4P	
▽ = 0	GENERAL TOLERANCES (UNLESS SPECIFIED)				PRODUCT CUSTOMER DRAWING	
▽ = 0	ANGULAR TOL ± 1.0°					
▽ = 0	4 PLACES ±		EC NO: 625908	2019/10/21	DOCUMENT NUMBER	
▽ = 0	3 PLACES ±		DRWN: SCHONG03	2019/10/21		2041020429
▽ = 0	2 PLACES ± 0.3		CHK'D: JBJIN	2019/10/21	DOC TYPE	
▽ = 0	1 PLACE ± 0.3		APPR: YSKIM02	2019/10/22	DOC PART	
▽ = 0	0 PLACES ±		INITIAL REVISION:		REVISION	
□ = 0	DRAFT WHERE APPLICABLE MUST REMAIN WITHIN DIMENSIONS		DRWN: JBJIN	2019/04/01	A	
▽ = 0	THIRD ANGLE PROJECTION		APPR: YSKIM02	2019/10/22		
		DRAWING	SERIES	MATERIAL NUMBER	CUSTOMER	SHEET NUMBER
		A3-SIZE	204102			1 OF 1