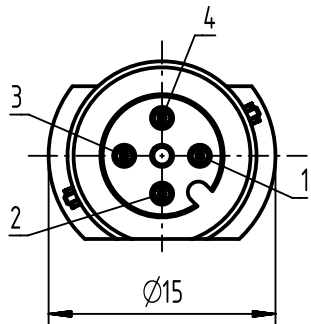
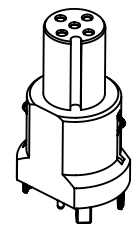
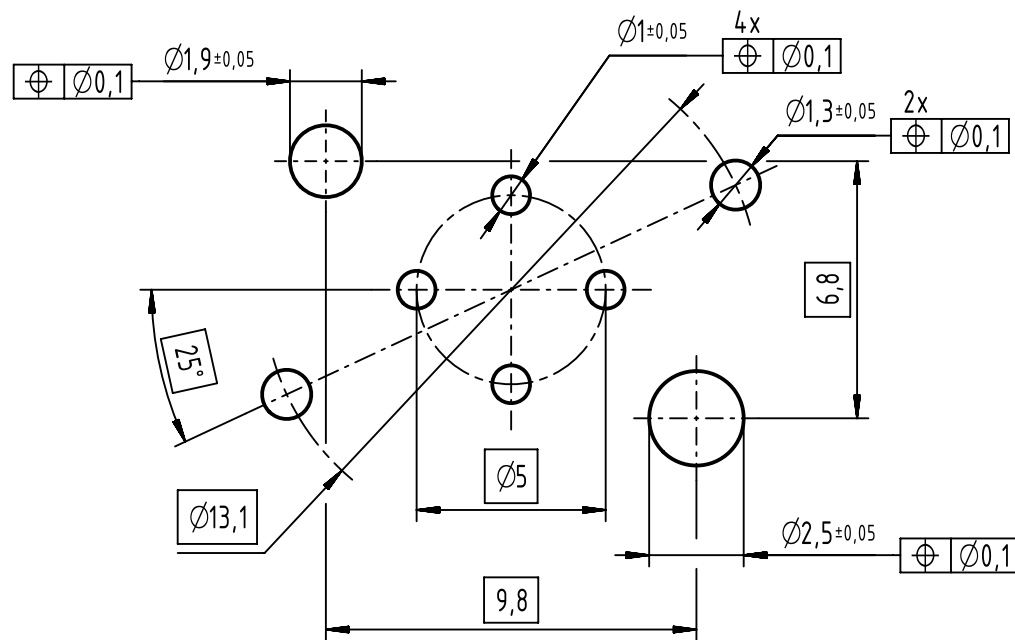




contact face based on
IEC 61076-2-101



A (5:1)
recommended PCB-layout



- 60 pcs. tray package

	 All Dimensions in mm Original Size DIN A4	Scale 2:1	Free size tol.		Ref. Sub. TB 21033212418 B 500000081016 2014-10-30	
	All rights reserved Department EC PD - DE	Created by DYCKC	Inspected by EISFELD	Standardisation HOFFMANN	Date 2015-06-02	State Final Release
HARTING Electronics GmbH D-32339 Espelkamp		Title HARTING M12 PCB receptacle female A-coded 4-pole			Doc-Key / ECM-Nr. 100583751/UGD/002/C 500000089558	
		Type TB	Number 21033212418		Rev. C	Page 1/1