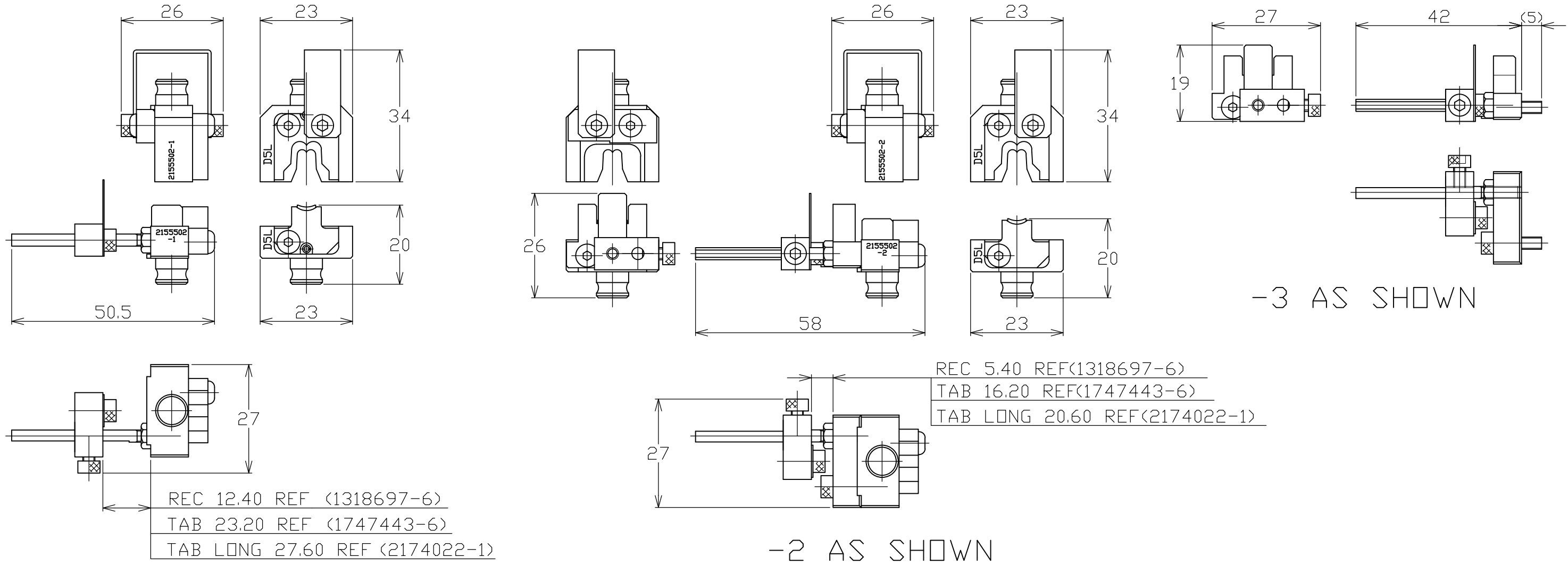


PART No.	REMARKS	WEIGHT
2155502-1	D5000-L	約 76g
2155502-2	D5000-L, ピン一体物、端子ホルダ付き	
2155502-3	D5000-L, 端子ホルダのみ	

P	LTR	DESCRIPTION	DATE	DWN	APVD
	A4	ECR-20-002538	25FEB2020	SN	JS

TERMINAL No.	WIRE SIZE (mm ²)	AWG#	INS. RANGE (mm)	TERMINAL CH (mm)		APPL. SPEC.
				WIRE	INS.	
1318697-6 1747443-6 2174022-1	7.27-9.00	#8	ø4.9-ø7.8	3.09-3.29	6.5MAX	114-5206



-1 AS SHOWN

-2 AS SHOWN

-3 AS SHOWN

THIS DRAWING IS A CONTROLLED DOCUMENT.		DWN S.NAKA 23AUG2012	STE TE Connectivity		
DIMENSIONS: mm		CHK S.NAKA 23AUG2012			
TOLERANCES UNLESS OTHERWISE SPECIFIED:		APVD J.KOGA 23AUG2012	NAME		
0 PLC ± 0.1		PRODUCT SPEC	DIES, D5-L, TE REC-Li60		
1 PLC ± 0.1		APPLICATION SPEC	SIZE	CAGE CODE	DRAWING NO
2 PLC ± 0.05			A3	00779	C-2155502
3 PLC ± 0.03			RESTRICTED TO		
4 PLC ±			-		
ANGLES ± 0°30'			WEIGHT	SCALE	SHEET
MATERIAL -		FINISH -	SEE TABLE	1:1	1 OF 1
			CUSTOMER DRAWING	REV	A4