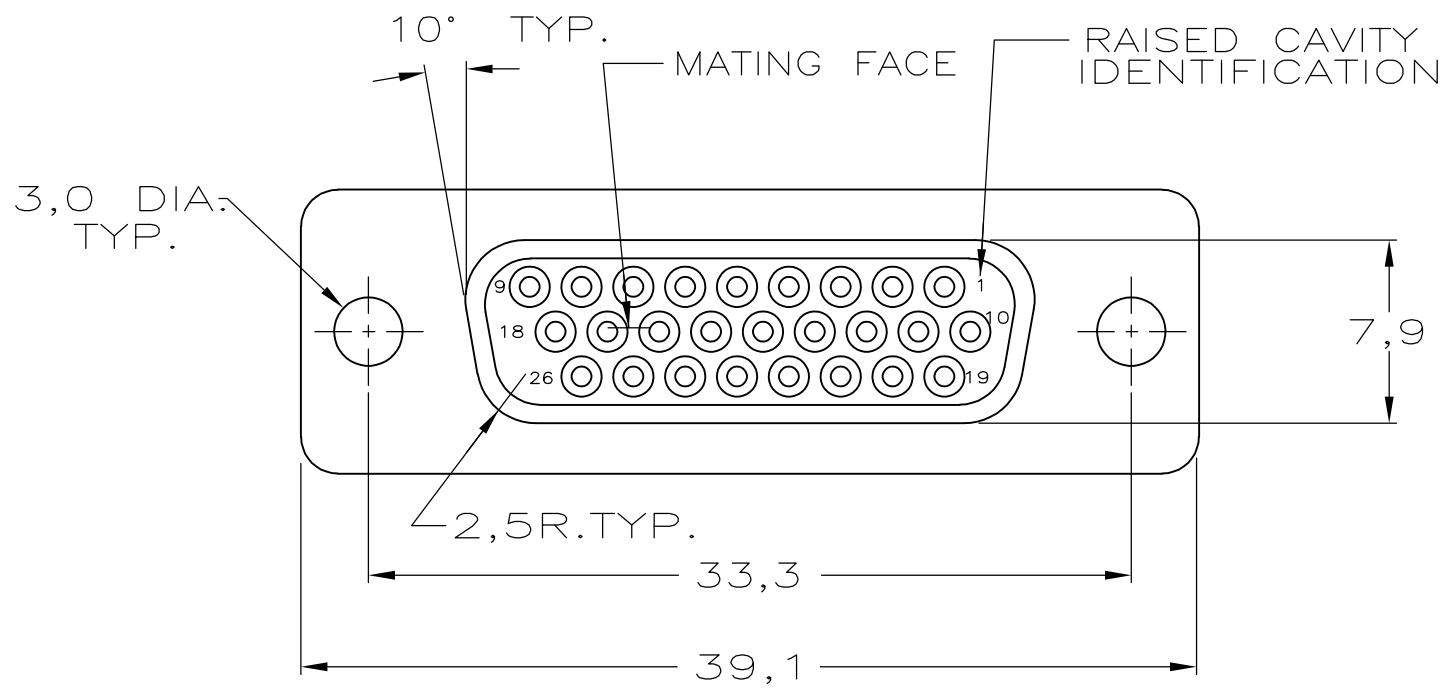


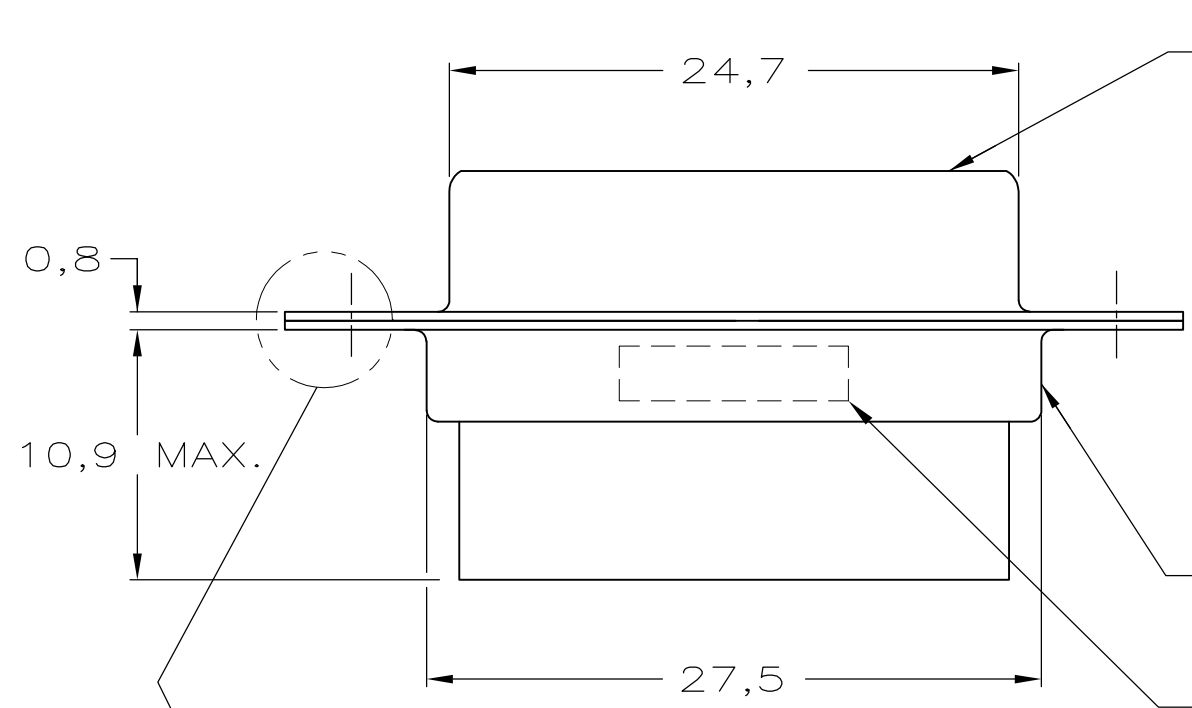
THIS DRAWING IS UNPUBLISHED. RELEASED FOR PUBLICATION
 © COPYRIGHT - By - ALL RIGHTS RESERVED.

LOC	DIST	REVISIONS			
P	LTR	DESCRIPTION	DATE	DWN	APVD
H	-				
	O	INITIAL RELEASE	07-12-88	JvdH	LVS
	B	ECR-11-014975	25JUL11	RK	KMA



NOTES:

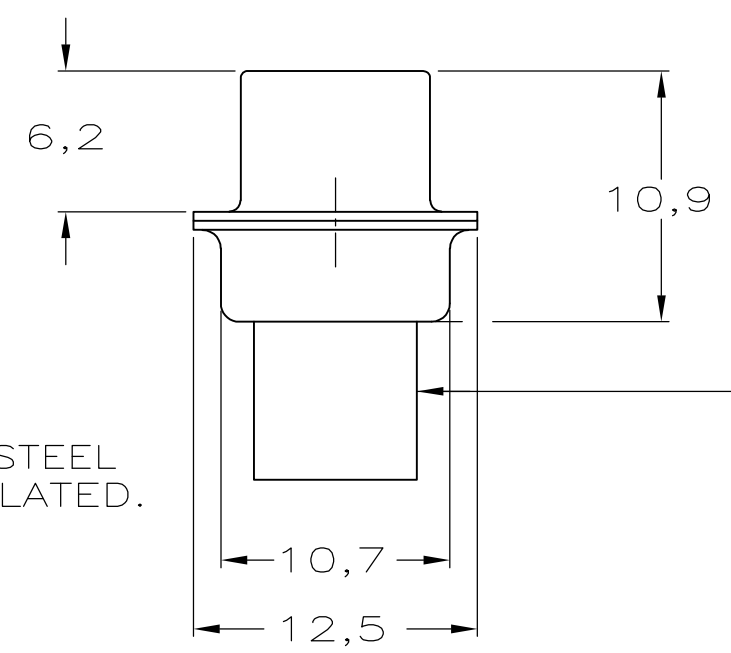
- 1 THIS RECEPTACLE ACCEPTS SIZE 22 REC. CONTACTS.
- 2 RETENTION TINES ARE AN INTEGRAL PART OF INSERT.
- 3 CONTACT INSERTION/REMOVAL TOOL TE P.N. 91285-1 IS RECOMMENDED FOR USE WITH THESE CONNECTORS:



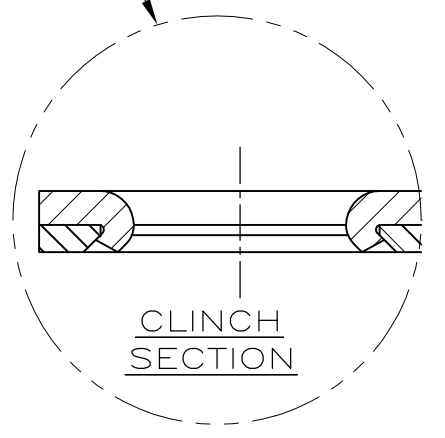
FRONT SHELL
STEEL, BRIGHT TIN PLATED.

REAR SHELL, STEEL
BRIGHT TIN PLATED.

TE DATE CODE
TE PARTNO.
INK STAMPED



INSERTS: NYLON
GLASS-FILLED
SELF-EXTINGUISHING
COLOR: BLACK



CLINCH
SECTION

SEE DRAWING	SEE DRAWING	216165-1
FINISH	MATERIAL	PARTNUMBER

THIS DRAWING IS A CONTROLLED DOCUMENT.	
DIMENSIONS: mm	TOLERANCES UNLESS OTHERWISE SPECIFIED:
	0 PLC ± -
	1 PLC ± -
	2 PLC ± -
	3 PLC ± -
	4 PLC ± -
	ANGLES ± -
WIRE RANGE	INSUL. RANGE
-	-

DWN J.V.D.HEIJDEN. 07-12-88	 TE Connectivity	NAME		
CHK C.v.TILBURG. 02-01-89		HDP-22 REC. CONNECTOR, SIZE 2, (26 POSITION)		
APVD L.v.SOEST. 04-01-89		SIZE	CAGE CODE	DRAWING NO
PRODUCT SPEC		A3	00779	C-216165
APPLICATION SPEC	RESTRICTED TO	-		
WEIGHT	CUSTOMER DRAWING	SCALE	SHEET	
-		NTS	1 OF 1	
			REV B	