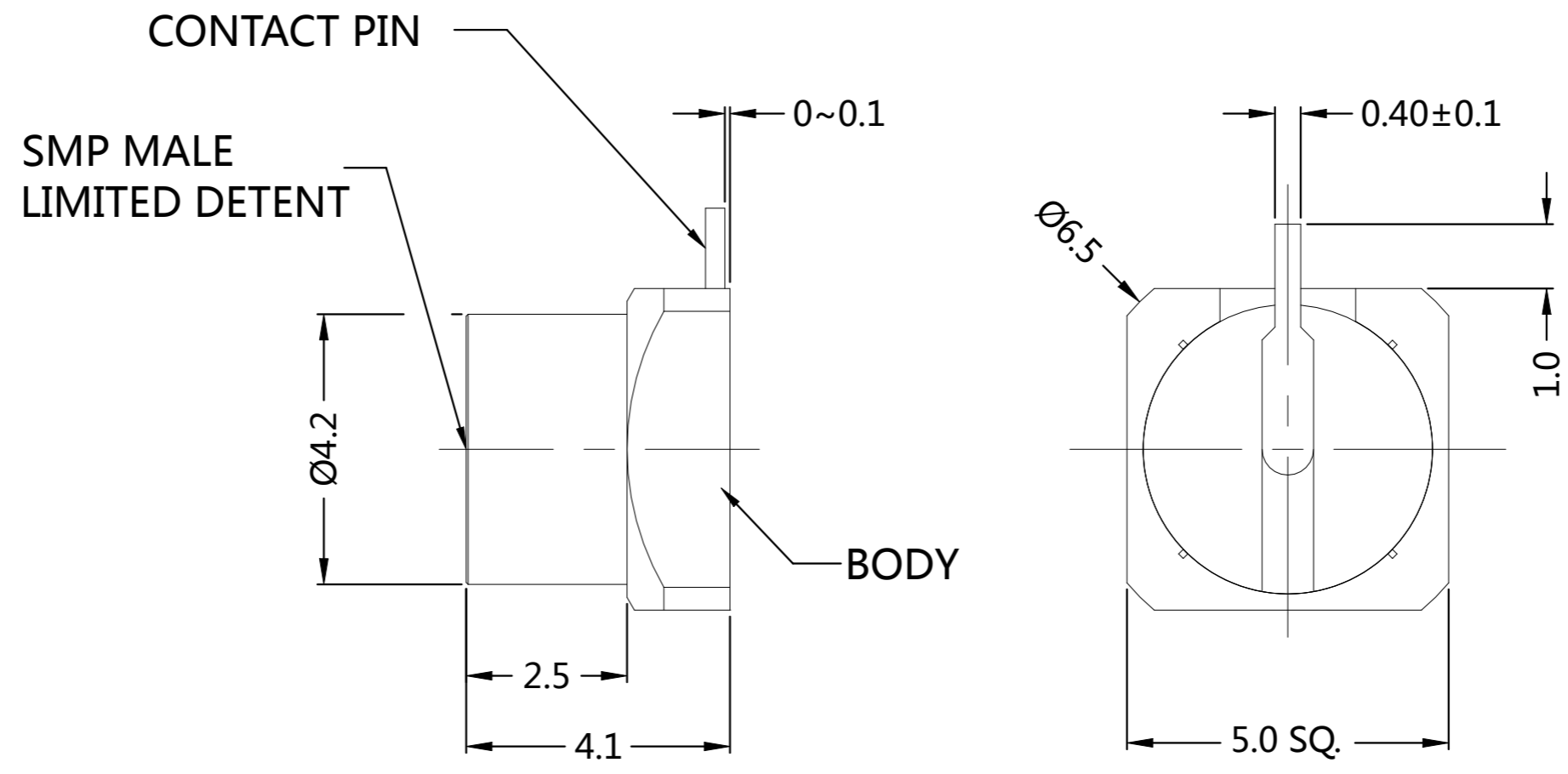
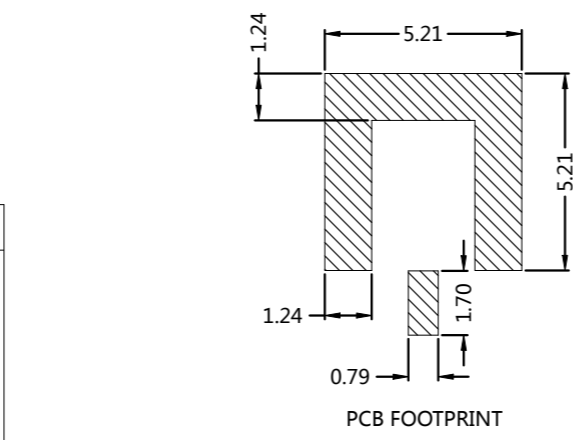


P	LTR	DESCRIPTION	DATE	DWN	APVD
	A	REVISED PER ECN-22-147532	06APR2022	RZ	WK



ELECTRICAL	MECHANICAL	ENVIRONMENTAL
Impedance (Ohm) _____50	Interface Dimension MIL-STD-348B Fig. _____326-3	TEMPERATURE RANGE _____ -40°C TO + 125°C
Frequency Range (GHz) _____DC to 18GHz	Force to Engage (lbs) Full Detent 15.0 Max Limited Detent 10.0 Max Smooth Bore 2.0 Max	THERMAL SHOCK _____ MIL-STD-202, METH.107, COND.B
Voltage Rating (Peak) _____ @ Sea Level 175 V RMS	Force to Disengage (lbs) Full Detent 5.0 Max Limited Detent 2.0 Max Smooth Bore 0.5 Max	CORROSION _____ MIL-STD-202, METH.101, COND.B
Insulation Resistance (MIN.) _____5000 M ohms	Center Contact Captivation Axial (Lbs) _____1.5 Radial (In/Oz) _____N/A	VIBRATION _____ MIL-STD-202, METH.204, COND.D
Contact Resistance (Milliohms MAX) Center Contact _____6.0 Outer Contact _____2.0	Cable Retention Axial (Lbs) _____N/A	SHOCK _____ MIL-STD-202, METH.213, COND.I
Dielectric Withstand Voltage: _____500 V RMS Max	Mating cycles _____500 cycles	MOISTURE RESISTANCE _____ MIL-STD-202, METH.106,
Insertion Loss : _____0.1*SQRT(F) dB		ROHS _____COMPLIANT
VSWR: _____1.3MAX (GHz)		
RF leakage: _____N/A		



QUANTITY PER ASSY	PARTS LIST
1	Au10u" BeCu BODY 3
1	- LCP INSULATION 2
1	Au30u" BeCu CENTER CONTACT 1
-1	PLATING MATERIAL DESCRIPTION ITEM

THIS DRAWING IS A CONTROLLED DOCUMENT.

DWN RANDY Z 16FEB2022	TE Connectivity NON-MAGNETIC SMP LD PLUG RA FOR PCB MOUNT				
CHK ERIC D 16FEB2022					
APVD WENKE H 16FEB2022					
NAME					
PRODUCT SPEC	SIZE	CAGE CODE	DRAWING NO	RESTRICTED TO	
APPLICATION SPEC	A3	00779	C-2406842	-	
WEIGHT	CUSTOMER DRAWING		SCALE 1:1	SHEET 1 OF 1	REV A