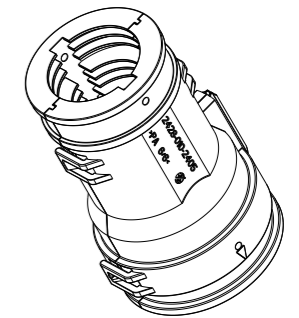
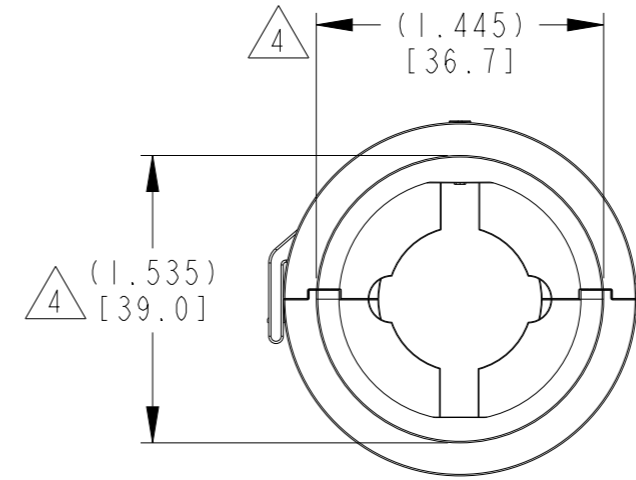
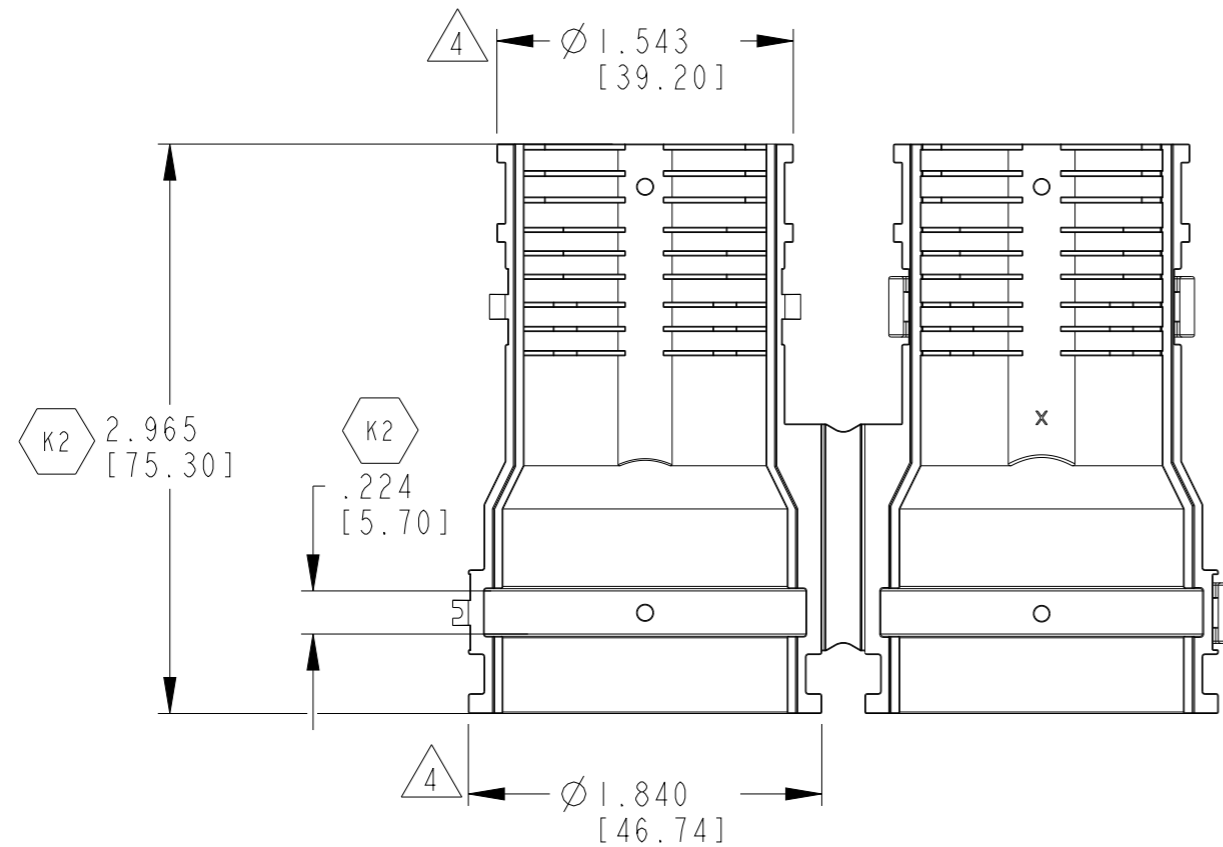
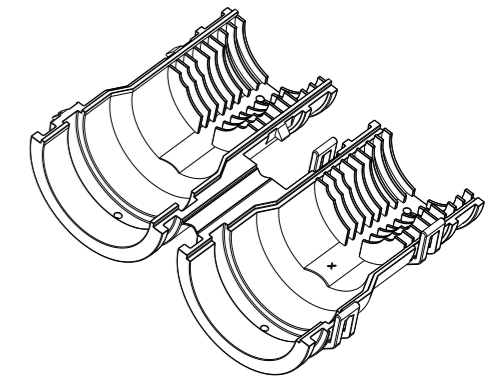


REVISIONS

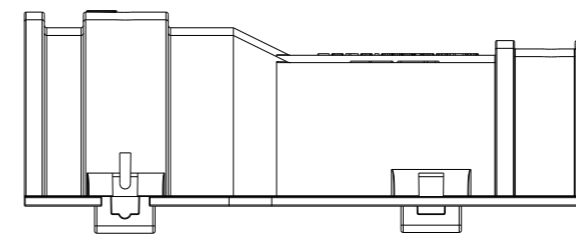
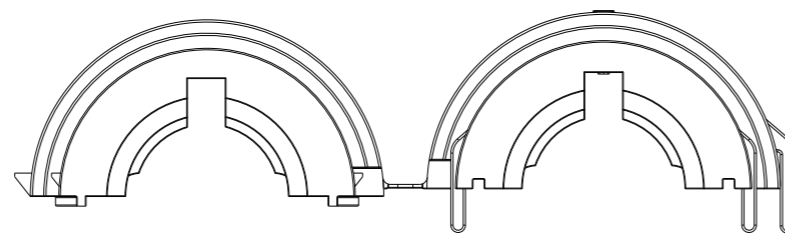
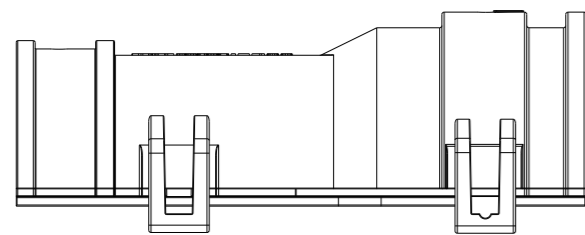
P	LTR	DESCRIPTION	DATE	DWN	APVD
	K	REVISED TO MATCH THE PART REVISION	06NOV2019	MK	CF
	K1	REVISION RECORD UPDATED	12NOV2019	MK	CF
	K2	REVISED PER PCN-22-153957	18AUG2022	SN	AW
	K3	REVISED PER PCN-23-165384	19JAN2023	MK	AW



3-D VIEW
CLOSED



3-D VIEW
OPEN



4 CIRCULAR DIMENSIONS CAN NOT BE MEASURED WITHOUT USING A GAGE OR AN ADEQUATE CONNECTOR DUE TO WARPAGE AFTER DEMOLDING.

- 3. MATERIAL: NYLON 66, COLOR: BLACK
- 2. SUITABLE WITH CORRUGATED TUBES SIZE NW 17, 19 AND 26.
- 1. THIS PART MATES WITH HDP24/26-24-XP/SX-L017.

NOTES:

TE INTERNAL PN	DEUTSCH PN
2428-010-2405	ZPF000000000146919



THIS DRAWING IS A CONTROLLED DOCUMENT.		DWN R. MESSENGER 20OCT2004	NAME COVER STRAIGHT SIZE 24 HDP L017 MODS ONLY TUBE SIZE NW 17, 19, 23 AND 26	
DIMENSIONS: INCH[mm]		CHK A. JAIME 30SEP2008		
TOLERANCES UNLESS OTHERWISE SPECIFIED:		APVD R. REED 01OCT2008	PRODUCT SPEC 108-151015	
0 PLC ±-		PRODUCT SPEC	APPLICATION SPEC	
1 PLC ±-		114-151015	WEIGHT 30 g	
2 PLC ±-		SIZE A3		
3 PLC ±.025[0.63]		CAGE CODE 4AFU8		
4 PLC ±-		DRAWING NO 2428-010-2405		
ANGLES ±° 30' 0"		RESTRICTED TO		
FINISH		SCALE 1:1		
MATERIAL VYDYNE 47H PA 6/6		SHEET 1 OF 1		
		REV K3		