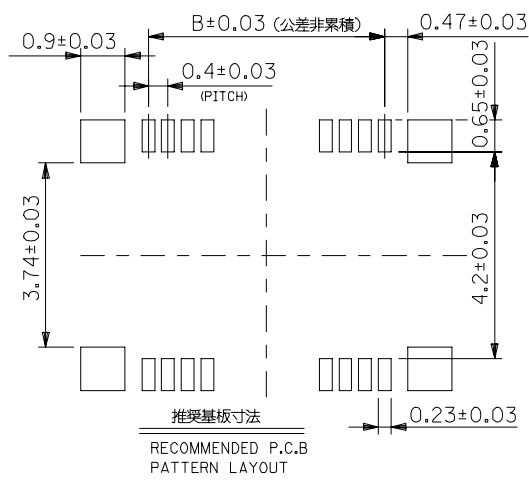
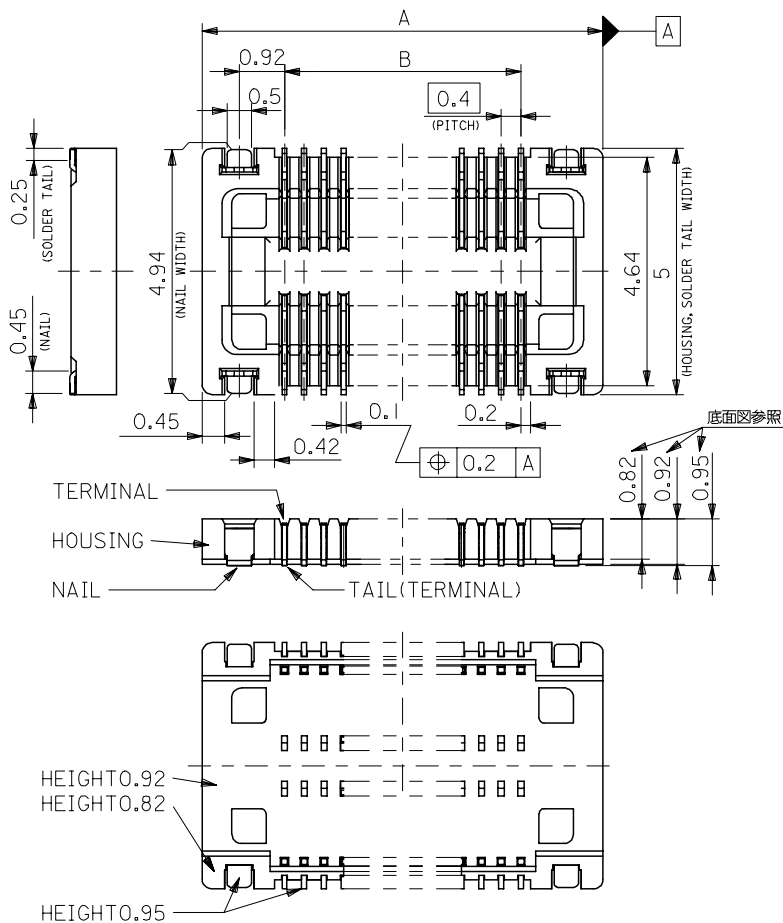


注記
NOTES

- 材質 MATERIAL
ハウジング : 液晶ポリマー-UL94V-0
HOUSING : LIQUID CRYSTAL POLYMER [LCP] UL94V-0
ターミナル : 銅合金
TERMINAL : COPPER ALLOY
ネール : 銅合金
NAIL : COPPER ALLOY
- メッキ仕様 PLATING
接点部 : 金メッキ 0.1 μm MIN.
CONTACT AREA : GOLD PLATING 0.1 μm MIN.
半田付け部 : 金メッキ 0.1 μm MIN.
SOLDER TAIL AREA : GOLD PLATING 0.1 μm MIN.
下地メッキ : ニッケルメッキ 1.0 μm MIN.
UNDER PLATING : NICKEL PLATING 1.0 μm MIN.
ネール : 錫メッキ 1.0 μm MIN.
NAIL : TIN PLATING 1.0 μm MIN.
下地メッキ : ニッケルメッキ 1.0 μm MIN.
UNDER PLATING : NICKEL PLATING 1.0 μm MIN.
- テール及びネールの平坦度は 0.1 以下
TAIL AND NAIL COPLANARITY : 0.1 MAX.
- 嵌合相手 : 500027 シリーズ
MATE WITH : 500027 SERIES



| | | | |
|--------------|------|--------------|---------|
| 15.74 | 12.4 | 500024-6469 | 64 |
| 10.94 | 7.6 | 500024-4069 | 40 |
| 9.74 | 6.4 | 500024-3469 | 34 |
| 8.94 | 5.6 | 500024-3069 | 30 |
| 7.74 | 4.4 | 500024-2469 | 24 |
| 6.14 | 2.8 | 500024-1669 | 16 |
| A | B | MATERIAL No. | CIRCUIT |
| 500024-***69 | | MODEL NO. | |

| | | | | | | | | | |
|--|-------------|---|-------|------------------------------|--------------------|---|------------------------|------------------------|--|
| REVISED EC NO: J2006-0812 DRWN: A0YAGI 2005/09/14 CHKD: MTANAKA 2005/09/14 APPR: NUKITA 2005/09/26 | DESCRIPTION | GENERAL TOLERANCES (UNLESS SPECIFIED) | | DIMENSION STYLE MM ONLY | | SCALE --- | DESIGN UNITS METRIC | THIRD ANGLE PROJECTION | |
| | | 10 UNDER | ±0.2 | DRAWN BY TASAKAWA | DATE 2004/06/22 | TITLE 0.4 B/B CONN. REC ASSY FOR CHECKER -LEAD FREE- | | | |
| | | 10 OVER 30 UNDER | ±0.25 | CHECKED BY THIRATA | DATE 2004/06/22 | MOLEX MOLEX INCORPORATED | | | |
| | | 30 OVER | ±0.3 | APPROVED BY MSASAO | DATE 2004/06/22 | DOCUMENT NO. SD-500024-024 | | | |
| ANGULAR ±3 ° | | DRAFT WHERE APPLICABLE MUST REMAIN WITHIN DIMENSIONS | | MATERIAL NO. 500024-***69 | | SHEET NO. 1 OF 2 | | | |
| SIZE A3 | | THIS DRAWING CONTAINS INFORMATION THAT IS PROPRIETARY TO MOLEX INCORPORATED AND SHOULD NOT BE USED WITHOUT WRITTEN PERMISSION | | | | | | | |

10 9 8 7 6 5 4 3 2 1

F

F

E

E

D

D

C

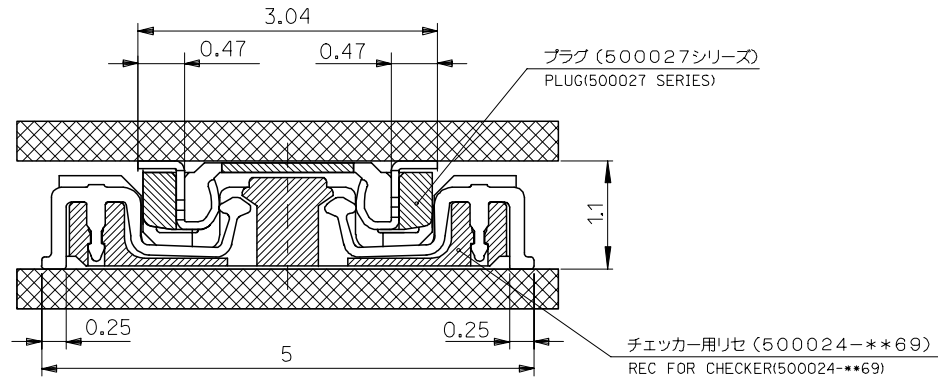
C

B

B

A

A



嵌合断面図 (参考)
MATED DRAWING

500024-***69 MODEL NO.

| | | | | | | | | | |
|---|--|--------|--|--------------------|--|------------------------|-------------------------------|---------------------|--|
| REVISED EC NO: J2006-0812 DRWN: AYOYAGI 2005/09/14 CHKD: TANAKA 2005/09/14 APPR: NUKITA 2005/09/26 REV B | GENERAL TOLERANCES (UNLESS SPECIFIED) | | DIMENSION STYLE MM ONLY | | SCALE --- | DESIGN UNITS METRIC | THIRD ANGLE PROJECTION | | |
| | 10 UNDER | ± 0.2 | DRAWN BY TASAKAWA | DATE 2004/06/22 | TITLE 0.4 B/B CONN. REC ASSY FOR CHECKER -LEAD FREE- | | | | |
| | 10 ^{OVER} 30 UNDER | ± 0.25 | CHECKED BY THIRATA | DATE 2004/06/22 | MOLEX INCORPORATED | | | | |
| | 30 ^{OVER} | ± 0.3 | APPROVED BY MSASAO | DATE 2004/06/22 | MATERIAL NO. 500024-***69 | | DOCUMENT NO. SD-500024-024 | SHEET NO. 2 OF 2 | |
| | ANGULAR ± 3 ° | | DRAFT WHERE APPLICABLE MUST REMAIN WITHIN DIMENSIONS | | THIS DRAWING CONTAINS INFORMATION THAT IS PROPRIETARY TO MOLEX INCORPORATED AND SHOULD NOT BE USED WITHOUT WRITTEN PERMISSION | | | | |

9

8

7

6

5

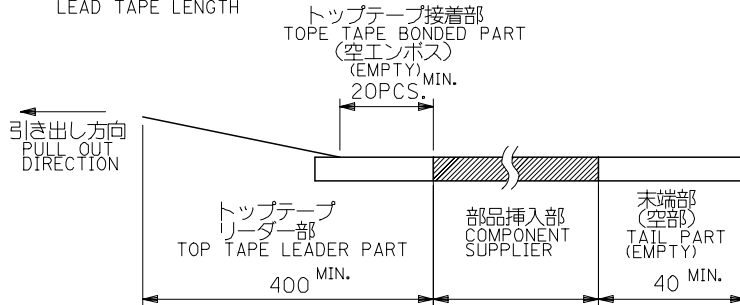
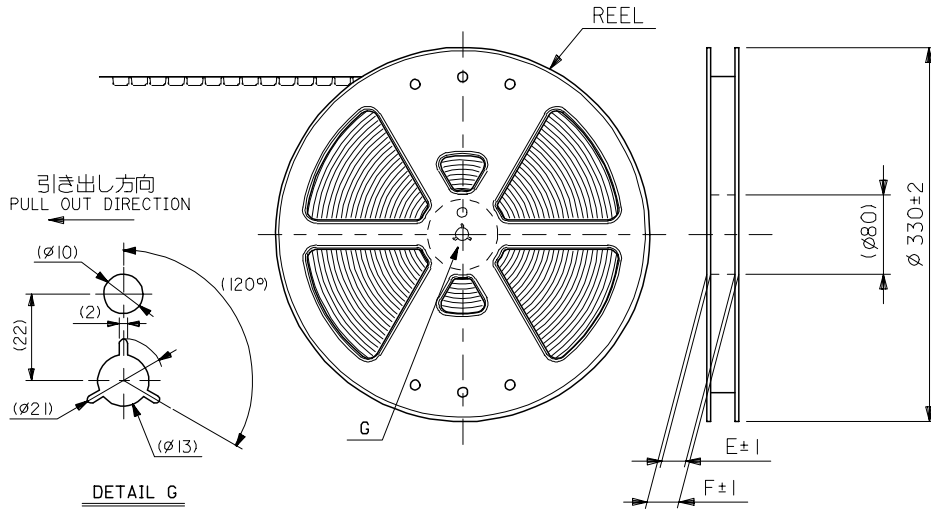
4

3

2

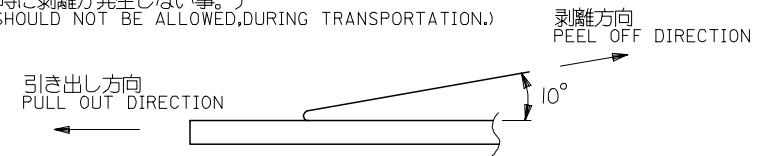
注)
NOTES

1. 製品番号 500024-***69 詳細寸法については、製品単体図面を参照下さい。
IN THE PACKAGE PART NUMBER 500024-***69 DETAILED DIMENSIONS, SEE SALES DRAWING FOR CONNECTOR.
2. 梱包数量：2000個/リール
NUMBER OF CONNECTORS : 2000 PCS/REEL.
3. リードテープ長さ
LEAD TAPE LENGTH



4. トップテープの剥離強度：(剥離方向は下図参照)
PEELING OFF FORCE OF TOP TAPE (PELLING DIRECTION AS SHOWN IN FOLLOWING FIGURE.)
0. 1~1. 3N {10~130gf}

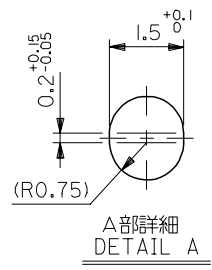
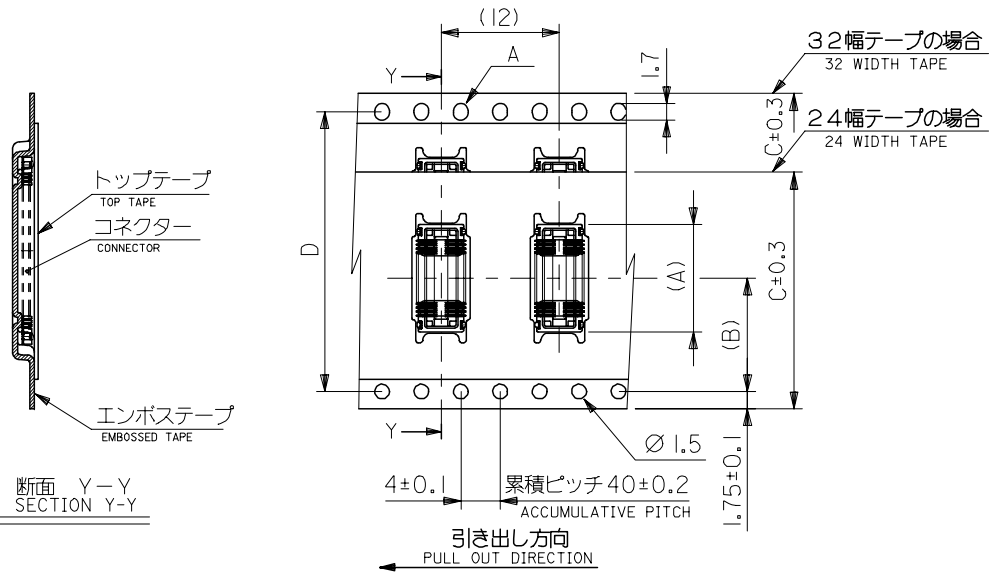
尚、本規格値は、出荷時に適用。
THIS REQUIREMENT SHOULD BE APPLIED AT SHIPMENT.
(但し、輸送時に剥離が発生しない事。)
(PEEL OFF SHOULD NOT BE ALLOWED, DURING TRANSPORTATION.)



5. 材料
MATERIAL
キャリアテープ：ポリプロピレン (PP)
CARRIER TAPE: POLYPROPYLENE (PP)
トップテープ：PET, PE, PEF
TOP TAPE: PET, PE, PEF
リール：ポリスチレン
REEL : POLYSTYRENE

500024-***61 MODEL NO.

| | | | | | | | | |
|---|---------------------------------------|--|----------------------------|--------------------|--|------------------------|------------------------|--|
| REVISED EC NO: J2006-0812 DRWN: A0YAGI 2005/09/14 CHKD: TANAKA 2005/09/14 APPR: NUKITA 2005/09/26 | GENERAL TOLERANCES (UNLESS SPECIFIED) | | DIMENSION STYLE MM ONLY | | SCALE --- | DESIGN UNITS METRIC | THIRD ANGLE PROJECTION | |
| | 10 UNDER | ±0.2 | DRAWN BY T. ASAKAWA | DATE 2004/06/22 | TITLE EMBOSSSED TAPE FOR 500024-***69 -LEAD FREE- | | | |
| | 10 OVER 30 UNDER | ±0.25 | CHECKED BY T. HIRATA | DATE 2004/06/22 | MOLEX INCORPORATED | | | |
| | 30 OVER | ±0.3 | APPROVED BY M. SASAO | DATE 2004/06/22 | | | | |
| | ANGULAR | ±3 ° | MATERIAL NO. SEE CHART | | DOCUMENT NO. SD-500024-025 | SHEET NO. 1 OF 2 | | |
| DRAFT WHERE APPLICABLE MUST REMAIN WITHIN DIMENSIONS | | THIS DRAWING CONTAINS INFORMATION THAT IS PROPRIETARY TO MOLEX INCORPORATED AND SHOULD NOT BE USED WITHOUT WRITTEN PERMISSION | | | | | | |



| | | | | | | | | |
|-------|------|----|------|------|------|-------------|--------------|---------|
| 18.94 | 14.2 | 32 | 28.4 | 33.4 | 37.4 | 500024-6469 | 500024-6461 | 64 |
| 10.94 | | | | | | 500024-4069 | 500024-4061 | 40 |
| 9.74 | | | | | | 500024-3469 | 500024-3461 | 34 |
| 8.94 | 11.5 | 24 | # | 25.4 | 29.4 | 500024-3069 | 500024-3061 | 30 |
| 7.74 | | | | | | 500024-2469 | 500024-2461 | 24 |
| 6.14 | | | | | | 500024-1669 | 500024-1661 | 16 |
| (A) | (B) | C | D | E | F | CONNECTOR | MATERIAL No. | CIRCUIT |

| | | | | | | | | | | | |
|-------------------------|--|--|--|----------------------|--|---|--|--------------------|--|------------------------|--|
| REVISED | | GENERAL TOLERANCES (UNLESS SPECIFIED) | | DIMENSION STYLE | | SCALE | | DESIGN UNITS | | THIRD ANGLE PROJECTION | |
| EC NO: J2006-0812 | | ±0.2 | | MM ONLY | | --- | | METRIC | | ☉ □ | |
| DRWN: A0YAGI 2005/09/14 | | 10 ^{OVER} 30 ^{UNDER} ±0.25 | | DRAWN BY DATE | | TITLE | | MOLEX INCORPORATED | | SHEET NO. | |
| CHKD: TANAKA 2005/09/14 | | 30 ^{OVER} ±0.3 | | T.ASAKAWA 2004/06/22 | | EMBOSSSED TAPE FOR | | 500024-***69 | | 2 OF 2 | |
| APPR: NUKITA 2005/09/26 | | ANGULAR ±3 ° | | T.HIRATA 2004/06/22 | | -LEAD FREE- | | SD-500024-025 | | | |
| DESCRIPTION | | DRAFT WHERE APPLICABLE MUST REMAIN WITHIN DIMENSIONS | | M.SASAO 2004/06/22 | | MATERIAL NO. | | DOCUMENT NO. | | 2 OF 2 | |
| REV | | | | SEE CHART | | THIS DRAWING CONTAINS INFORMATION THAT IS PROPRIETARY TO MOLEX INCORPORATED AND SHOULD NOT BE USED WITHOUT WRITTEN PERMISSION | | | | | |