

LAYOUT SHOWN AS EXAMPLE

Keying Shown as example

CHARACTERISTICS

- Standard : Based on MIL-DTL-38999 Series III
- Shell Material : Composite
- Shell Plating : Without Plating
- Insulator : Thermoplastic
- Contacts : Copper Alloy
- Seals & Grommet : Silicon Elastomer
- Contact Plating : Gold over copper Alloy 0.8µm minimum
- Durability : 500 Mating cycles
- Delivered without Souriau contacts
- Temperature Range : -65°C to +175°C
- Salt Spray : 2000 hours
- Mass : 19.3 g ± 10%

| Connector dimension | |
|---------------------|---------------|
| Dim | Nominal |
| P | 3.25±0.2 |
| PP | 4.93±0.2 |
| R1 | 26.97 |
| R2 | 24.61 |
| S | 33.3±0.3 |
| V | 20.83+0/-1.25 |
| W | 2.1/2.5 |
| Z | 31.5 Max |
| VV THREAD | M25x1-6g |

SOURIAU shall not be liable for any non-conformity or damage due to a use of the Products which does not comply with the Specifications issued by either of the Parties or by a third party (professional recommendation, technical notice.)

| | |
|---------|-----------------------------|
| Country | Jurisdiction & Control List |
| FR | Not Listed |

PN: 8D017X99PNL

| | | | |
|----------------|---------------------------------------|--------------------------------|---|
| B | 17-04-17 | Drawing Update | |
| ISS | DATE | Latest modification - by | MOD N° |
| Designed By: | | Date: | CUSTOMER DRAWING |
| TITLE | Composite Receptacle 8D series | | |
| SCALE | NA | General linear Tolerances: ±-- | NPRDS / PROJECT 859 |
| SOURIAU | WWW.SOURIAU.COM | | This document is the property of SOURIAU it must not be reproduced or communicated without permission |
| FORMAT | A3 | | SOURIAU DRG N° 8D017X99PNL-C SHEET 1/2 |

BASIC SERIES: 8D 0 - 17 X 99 P N L

SHELL TYPE : Square Flange Receptacle Delivered W/O Contacts

CONTACT TYPE : Standard Crimp Contact ORIENTATION : N

SHELL SIZE : 17 CONTACT TYPE : PIN(500 Matings)

PLATING : X = Without Plating CONTACT LAYOUT : 17-99

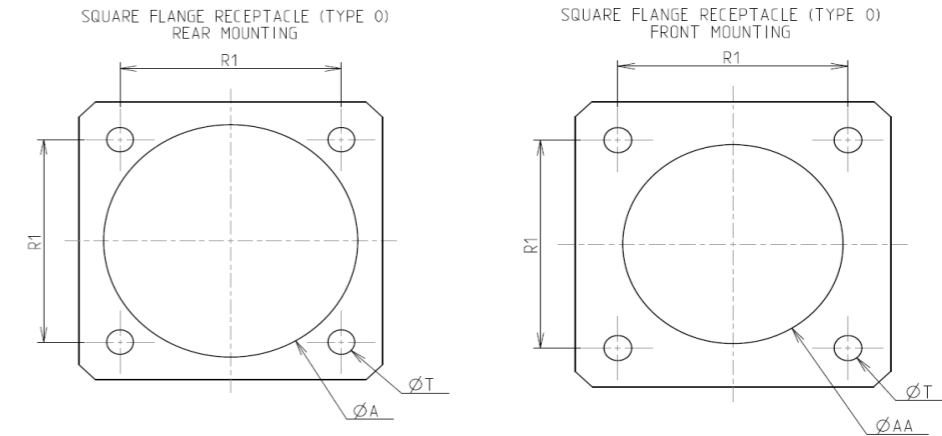
Contact Layout



| Contacts (Insert arrangement 17-99) | | | | | |
|--|------------------|-------------|---------------------|------------------|-------------|
| Contact position ID | Contact location | | Contact position ID | Contact location | |
| | X-axis (mm) | Y-axis (mm) | | X-axis (mm) | Y-axis (mm) |
| A | .000 (0.00) | +321 (8.15) | N | -305 (7.75) | +099 (2.51) |
| B | +131 (3.33) | +293 (7.44) | P | -239 (6.07) | +214 (5.44) |
| C | +239 (6.07) | +214 (5.44) | R | -131 (3.33) | +293 (7.44) |
| D | -305 (7.75) | -099 (2.51) | e | 070 (1.78) | -177 (4.50) |
| E | +319 (8.10) | -034 (0.86) | T | +070 (1.78) | +177 (4.50) |
| F | +278 (7.06) | -161 (4.09) | U | +175 (4.45) | +094 (2.39) |
| G | +189 (4.80) | -260 (6.60) | V | +150 (3.81) | -075 (1.91) |
| H | +067 (1.70) | -314 (7.98) | W | +000 (0.00) | -161 (4.09) |
| J | -067 (1.70) | -314 (7.98) | X | -150 (3.81) | -075 (1.91) |
| K | -189 (4.80) | -260 (6.60) | Y | -175 (4.45) | +094 (2.39) |
| L | -278 (7.06) | -161 (4.09) | Z | +000 (0.00) | +025 (0.64) |
| M | -319 (8.10) | -034 (0.86) | | | |

| Shell size | Arrangement no. | Number of contacts | Size contacts | Service rating | Contact position ID | Supersedes |
|------------|-----------------|--------------------|---------------|----------------|---------------------|------------|
| 17 | -99 | 2 | 16 | I | W, Z | MS20053-99 |
| | | 21 | 20 | | All others | |

Panel Cutout



Max. thickness panel for receptacle: Type 0: front mounting = 3.2 mm, rear mounting = 2.5 mm

| Dim | Nominal |
|-----|------------|
| ØA | 30.96 min |
| ØAA | 25.81 min |
| R1 | 26.97 |
| ØT | 3.25 ±0.13 |

SOURIAU shall not be liable for any non-conformity or damage due to a use of the Products which does not comply with the Specifications issued by either of the Parties or by a third party (professional recommendation, technical notice.)

| Country | Jurisdiction & Control List |
|---------|-----------------------------|
| FR | Not Listed |

PN: 8D017X99PNL

| | | | |
|----------------|---------------------------------|---|-------------------------------|
| B | 17-04-17 | Drawing Update | |
| ISS | DATE | Latest modification - by | MOD N° |
| Designed By: | | Date: | CUSTOMER DRAWING |
| TITLE | | Composite Receptacle 8D series | |
| SCALE | | General linear Tolerances: ±-- | NPRDS / PROJECT 859 |
| NA | | | |
| SOURIAU | | WWW.SOURIAU.COM | |
| | | This document is the property of SOURIAU it must not be reproduced or communicated without permission | |
| FORMAT | SOURIAU DRG N° 8D017X99PNL-C | | SHEET 2/2 |