


Table of Contents	
1	Title
2	Block Diagram
3	MKW36Z MCU
4	OpenSDA INTERFACE
5	Sensor, CAN, LIN, Misc
6	I/O Headers and Power Supply

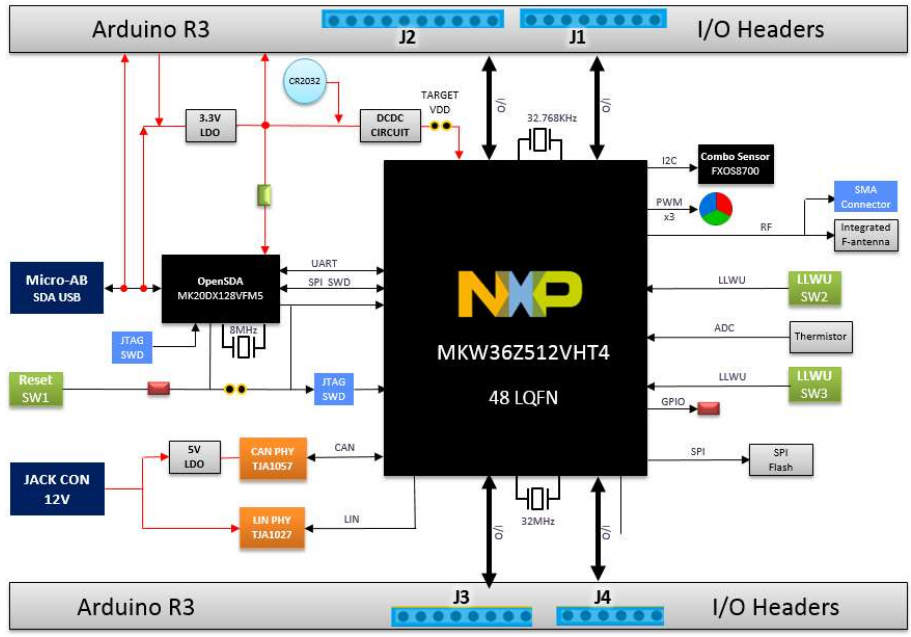
Revisions & Change Log			
Rev	Description	Date	Approved
A	First Release	02/07/17	
A1	Second Release	06/05/17	
A2	Add capacitors on PTCx	07/20/17	
B	Change LC value on ANT	07/20/17	
B1	chang 4.2V text to 3.6V	09/04/18	

FREEDOM KW36

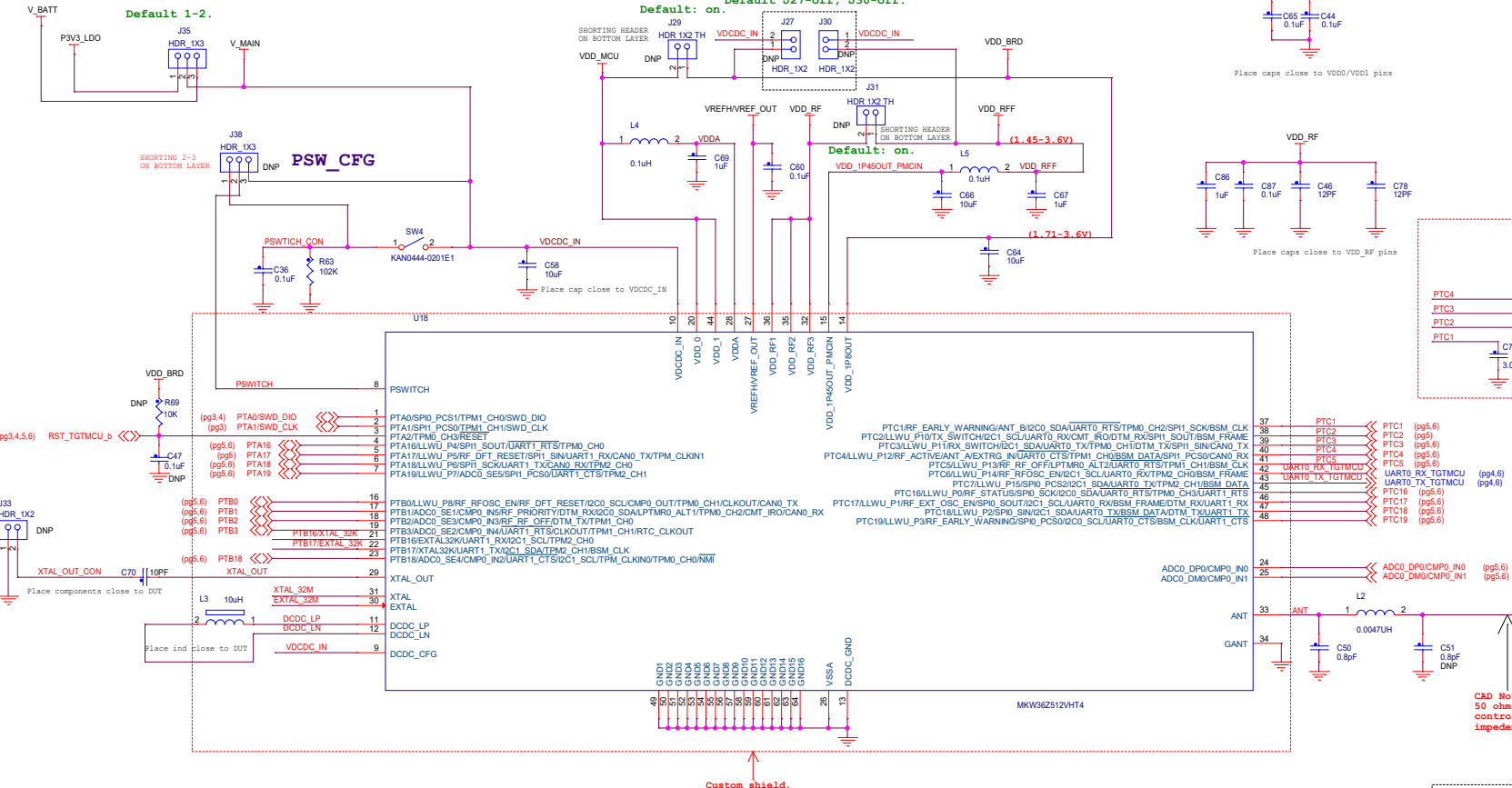
Bluetooth Smart/Generic FSK

		Microcontroller Product Group 6501 William Cannon Drive West Austin, TX 78754-5900	
This document contains information proprietary to NXP and shall not be used for engineering design, procurement or manufacture in whole or in part without the express written permission of NXP Semiconductors.			
ICAP Classification: CP: IUC: X PUBI:			
Designer: Jimmy Cheng	Drawing Title: FRDM-KW36		
Drawn by: Jimmy Cheng	Page Title: TITLE PAGE		
Approved: Miguel Reyes	Size C	Document Number SCH-29555_B PDF: SPF-29555_B	Rev 01
Date: Thursday, September 06, 2018		Sheet 1 of 6	

- Unless Otherwise Specified:
 All resistors are in ohms, 5%, 1/8 Watt
 All capacitors are in uF, 20%, 50V
 All voltages are DC
 All polarized capacitors are aluminum electrolytic
- Interrupted lines coded with the same letter or letter combinations are electrically connected.
- Device type number is for reference only. The number varies with the manufacturer.
- Special signal usage:
 _B Denotes - Active-Low Signal
 <> or [] Denotes - Vectored Signals
- Interpret diagram in accordance with American National Standards Institute specifications, current revision, with the exception of logic block symbology.



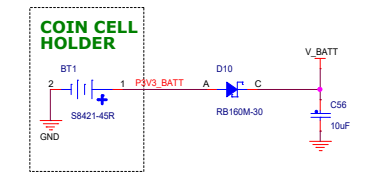
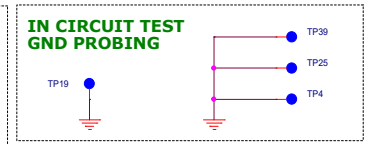
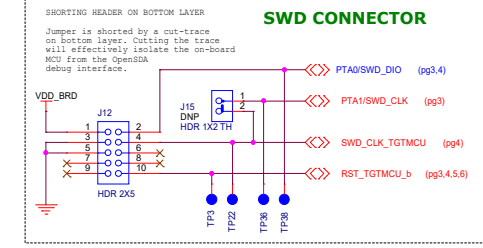
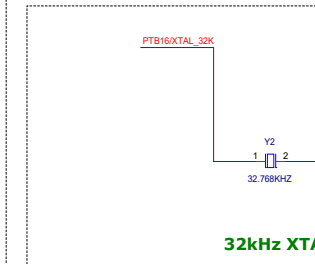
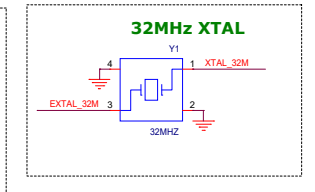
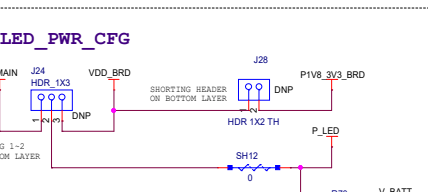
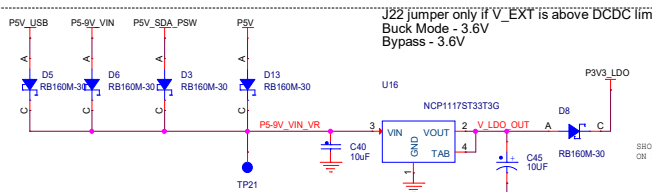
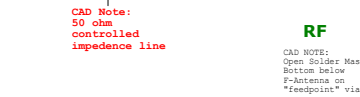
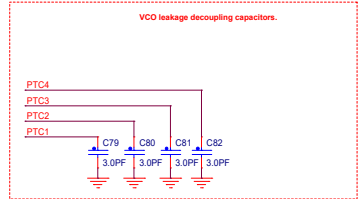
V_BATT should NOT exceed 3.6V.



Power Configuration

Default: Buck Mode (auto start).

	PSW_CFG J38	REG_CFG J27, J30
Bypass Mode (auto start) VDCDC_IN (1.7V to 3.6V) Operation 1.8V - 3.6V	1~2	J27-on J30-on
Buck Mode (manual start) VDCDC_IN (1.8V to 3.6V) Coin Cell Battery Operation	1~2 press SW4 to start	J27-off J30-off
Buck Mode (auto start) VDCDC_IN (1.8V to 3.6V) Coin Cell Battery Operation	2~3	J27-off J30-off



POWER MANAGEMENT

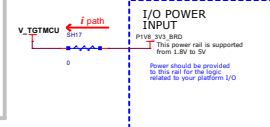
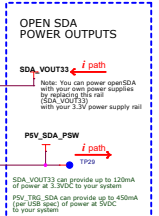
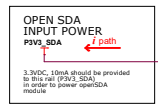
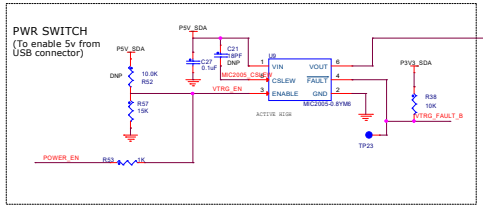
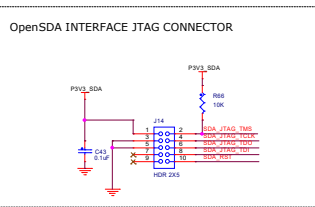
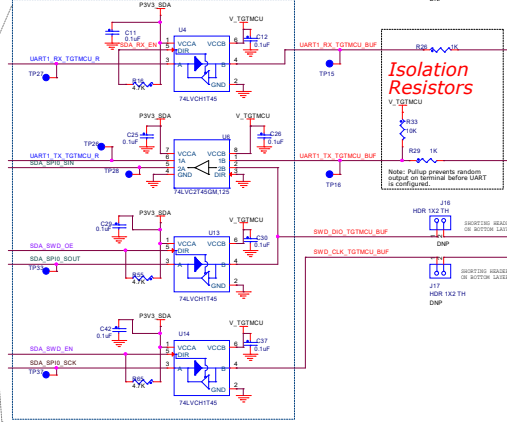
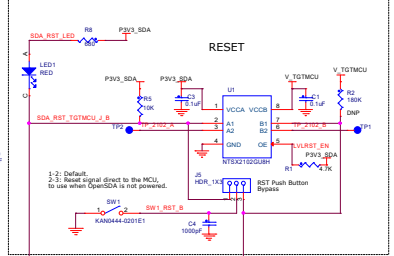
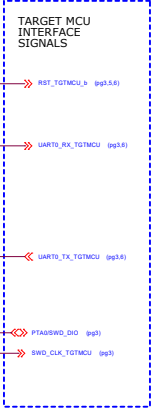
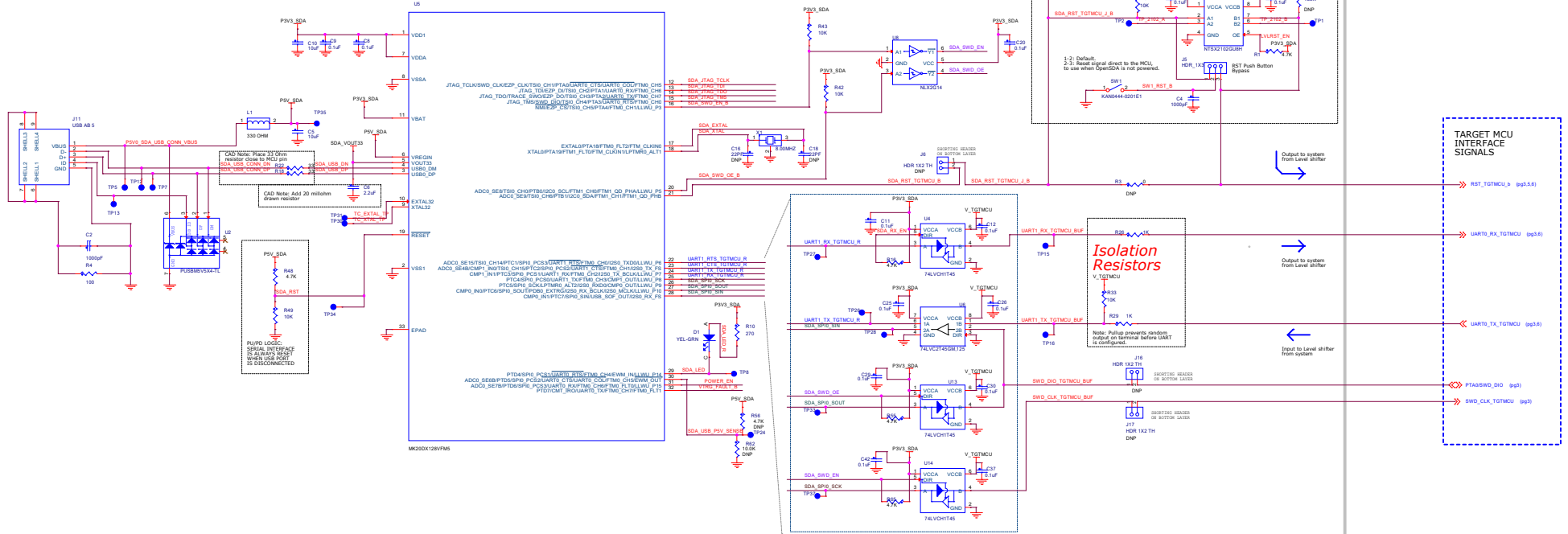
ICAP Classification: CP: IUC: X PUBL:

Drawing Title: **FRDM-KW36**

Page Title: **MKW36Z MCU**

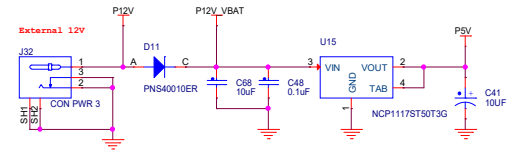
Size C	Document Number SCH-29555_B PDF: SPF-29555_B	Rev B1
Date: Thursday, September 06, 2018	Sheet 3 of 6	

OpenSDA Interface

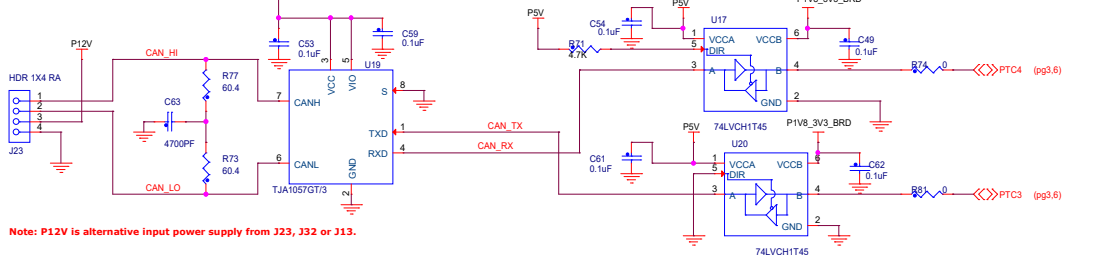


CAN/LIN Power

Note: P12V is alternative input power supply from J23, J32 or J13.



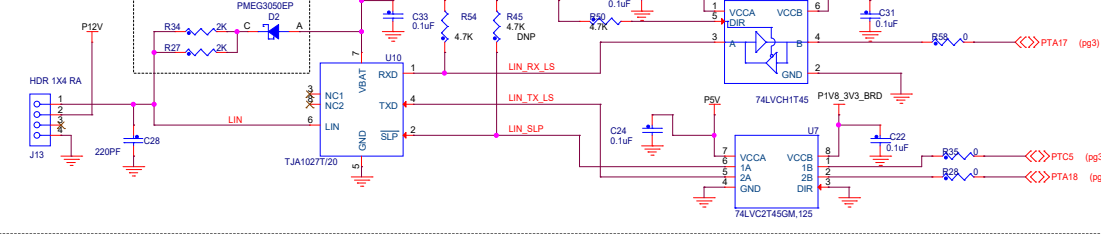
CAN



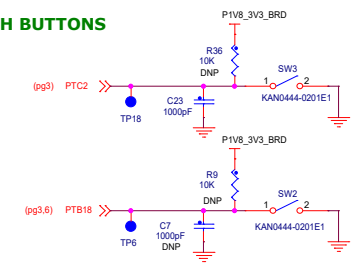
Note: P12V is alternative input power supply from J23, J32 or J13.

Note: P12V is alternative input power supply from J23, J32 or J13.

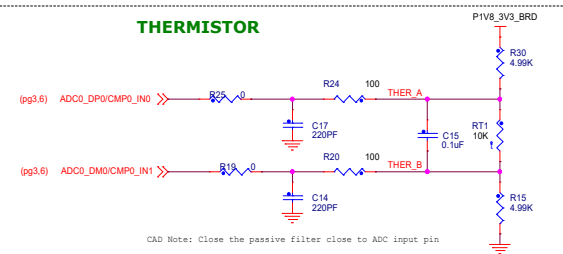
LIN



INTERRUPT PUSH BUTTONS

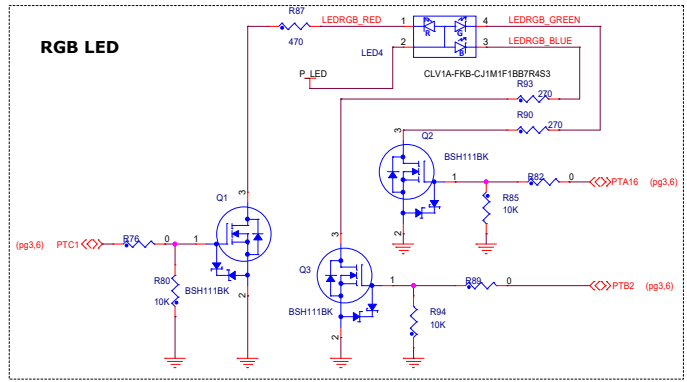


THERMISTOR

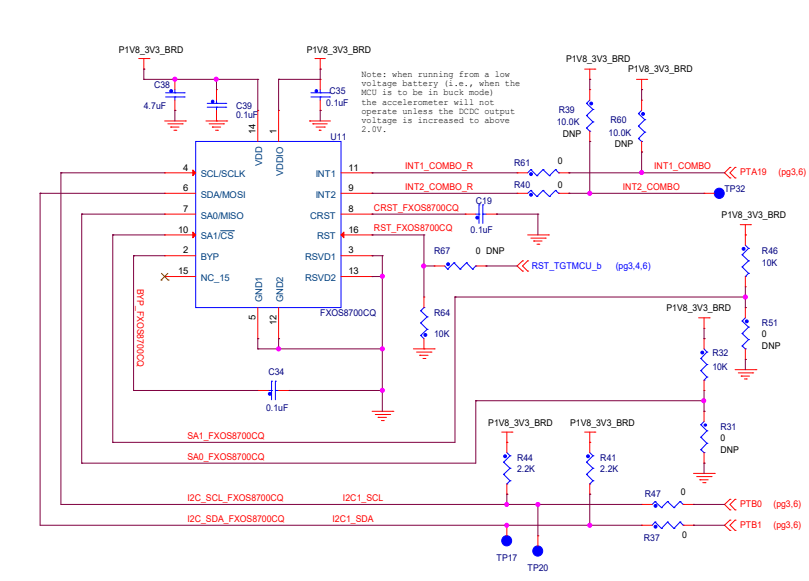


CAD Note: Close the passive filter close to ADC input pin

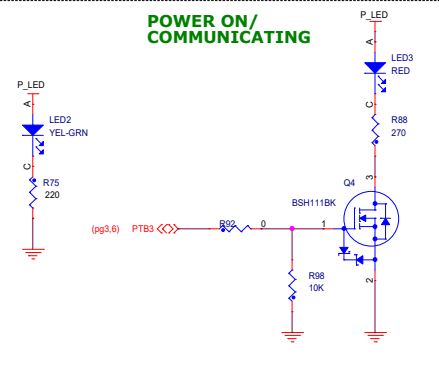
RGB LED



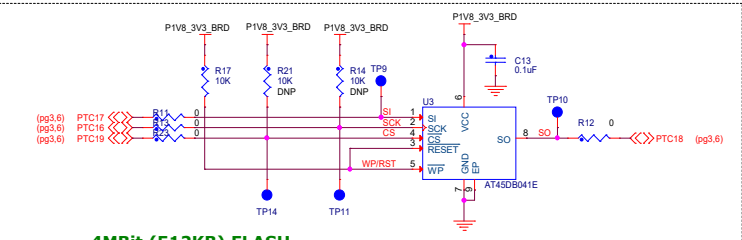
FXOS8700CQ COMBO SENSOR



POWER ON/ COMMUNICATING

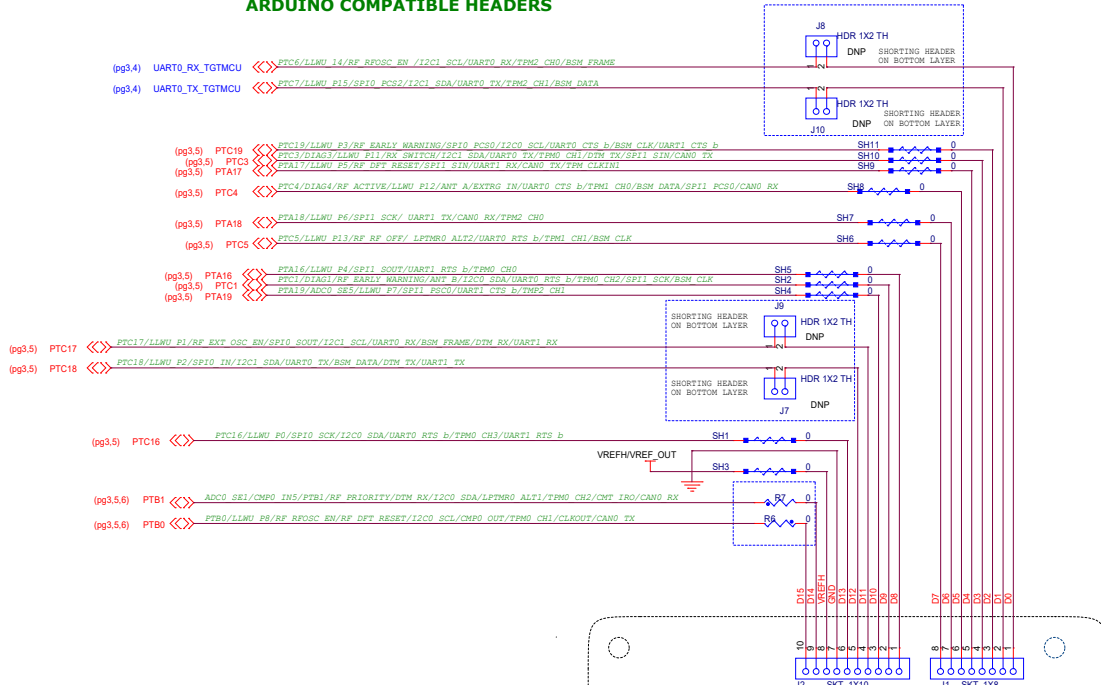


4MBit (512KB) FLASH



ICAP Classification: CP		IUC: X		PUBI:	
Drawing Title: FRDM-KW36					
Page Title: Sensor, CAN, LIN, Misc					
Size C	Document Number	SCH-29555_B PDF: SPF-29555_B			Rev B1
Date:	Thursday, September 06, 2018	Sheet	5	of	6

ARDUINO COMPATIBLE HEADERS



FREEDOM PLATFORM COMPATIBILITY HEADERS

