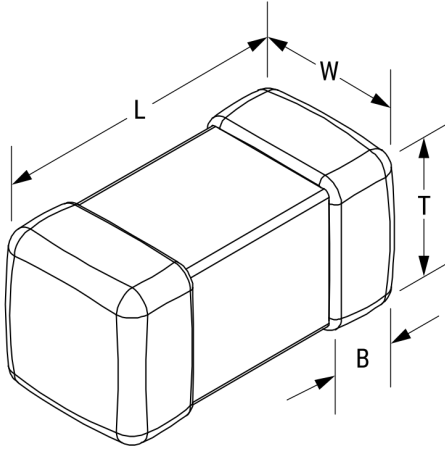


L0805C39NJRMST

Aliases (L0805C39NJRMST)

Obsolete

KEMET, L-RMS, RF, 0.039 uH, 5%



Click [here](#) for the 3D model.

Dimensions

Chip Size	0805
L	2mm +0.3/-0.1mm
W	1.25mm +/-0.2mm
T	0.85mm +/-0.2mm
LL	0.5mm +/-0.3mm
B	0.5mm +/-0.3mm

Packaging Specifications

Packaging	T&R
Packaging Quantity	4000

General Information

Series	L-RMS
Style	SMD Chip
Description	Surface Mount Inductor
RoHS	Yes
Core	Ceramic
Winding Type	Multilayer

Specifications

Inductance	0.039 uH
Inductance Tolerance	5%
Temperature Range	-40/+85°C
Current	300 mAmps (MAX)
DC Resistance	0.65 Ohms
Quality Factor	23 at 100 MHz, 50 at 500 MHz, 47 at 800 MHz, 47 at 1000 MHz
Self-Resonant Frequency	1000 MHz