



OEJ24SC0512I



1.5 Watt DC/DC Power Supply

FEATURES

- Wide input 4:1
- Low noise
- Tight regulation $\pm 0.5\%$ MAX
- High Isolation Voltage

*Image for marketing purposes only-unit may differ



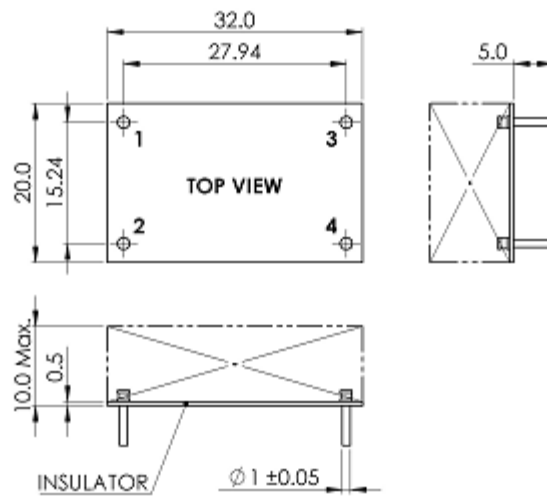
		UNIT	OEJ24SC0512I
INPUT	Nom Voltage (Range)	V	12VDC 4.5~16 Vdc
	Current Typ.	mA	28A Typ At no load
	Start-up Time	ms	6-8 mSec
OEJ24SC0512I			
OUTPUT	Nominal Voltage	VDC	24 VDC 4.5-16A 0.075A 75mA
	OUTPUT VDC ACCURACY	%	2% @23.52~24.48Vdc @Vin=4.5~1
	Current	mA	65
	Total Pwr	W	1.5
	Efficiency	%	83 TYP @ Vin=12Vdc
	Line Regulation	%	$\pm 0.5\%$ MAX At LL TO HL, Full Load
	Load Regulation	%	$\pm 0.5\%$ MAX At 25%FL TO 100%FL
	Startup Time	ms	10 ms
	Ripple Noise	mVp-p	100mVp-p MAX
	Temp Coefficient		0.03%/°C MAX
	Short circuit protect	Type	Continuous/ Auto-recovery
	Cooling		Convection





ISOLATION	Voltage	1500Vdc for 1 minute	
	Resistance	Min. 100 MΩ @ 500 Vdc	
	Operating temp	-20°C ~ +71°C	
Environment	Storage	-20°C ~ +85°C	
	Vibration	Mil-STD 202G	
	Humidity	90 %	
Dimension	WxL/weight	mm/g	32x20/4.5g

DIMENSIONS AND PINOUT



Unit : mm
Tolerance : XX.X±0.5 , XX.XX±0.25

PIN Assignment

PIN	1	2	3	4
FUNCTION	+Vin	-Vin	+Vout	-Vout

