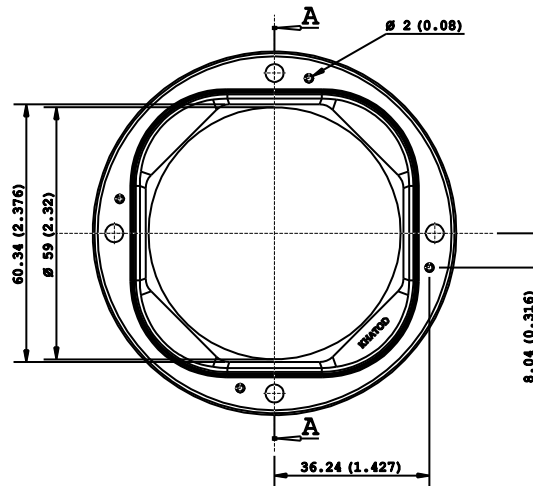
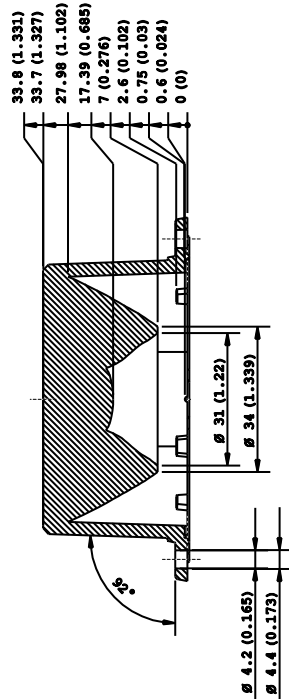
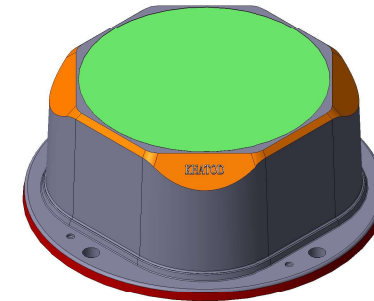
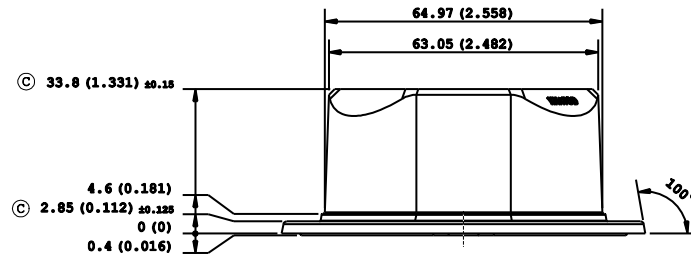
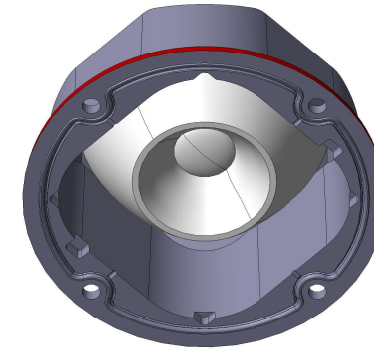
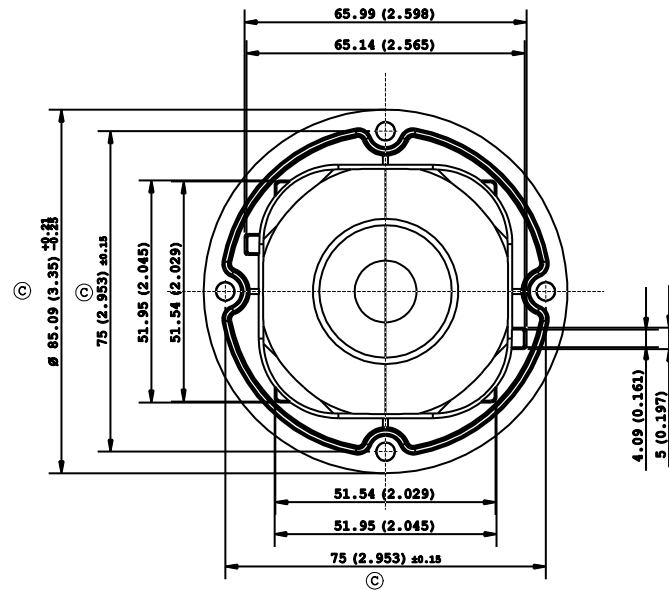


**Note:-**

- Dimensions in inches into brackets
- For missing dimensions see 3D file
- GREY surfaces embossed 25/27 VDI
- WHITE surfaces mirror polished
- RED surfaces available area for gate material  
Gate will be removed by tool
- Sink mark injection will be present
- © - Quality Control Dimensions (QCD)

**In date 23/10/2017 modified:**

- Removed steps and optics on the upper surface
- GREEN surface embossed 15/17 VDI
- ORANGE surfaces embossed 30/32 VDI



" Project and design owned by Khatod OPTOELECTRONIC s. r. l." The technical solutions adopted in this design are Khatod intellectual property, they cannot be reproduced and transmitted to third parties without our prior written permission. Unauthorized disclosure of confidential proprietary information will be prosecuted by law.			
DESCRIPTION :	TIR LENS	DESIGNER :	LM/TAZ
CODE :	PLL 2087 NASR	CHECKED :	TAZ
PROJECTS :		CONTROLLED :	TAZ/DP
PLL 2056 SR xx		DATA :	16/10/2017 23/10/2017
Khatod Via Alessandrina, 25 Cusano Milanino MILANO ITALIA WWW.KHATOD.COM		HEAT TREATMENT:	None
All Dimensions in mm General Tolerances +/-0.35 mm		SCALE :	1 : 1
MATERIAL:		LSR 7080 J	
SHEET :		1 of 1	