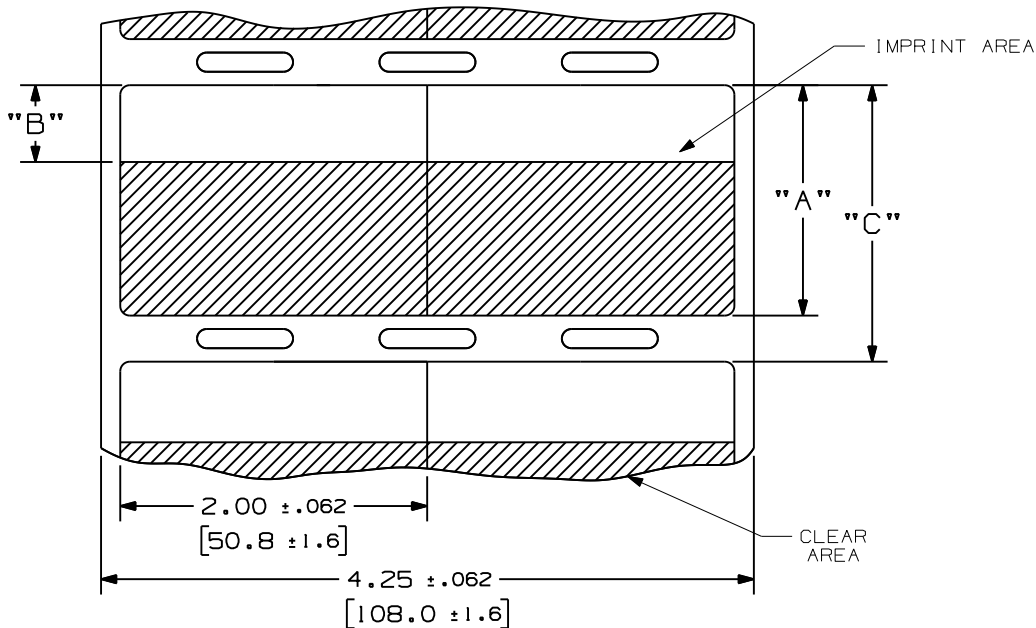


THIS COPY IS PROVIDED ON A RESTRICTED BASIS AND IS NOT TO BE USED IN ANY WAY DETRIMENTAL TO THE INTERESTS OF PANDUIT CORP.

| PART NUMBER | MATERIAL | "A" HEIGHT +/- .062 | IMPRINT AREA "B" +/- .062 | VERTICAL REPEAT "C" +/- .062 | LABELS PER ROW | STANDARD PKG. QTY. |
|--------------|----------------------|------------------------|---------------------------------|------------------------------------|----------------------|-----------------------|
| S200X150TAT | GMT1 | 1.50 [12.7] | 0.50 [12.7] | 1.75 [44.5] | 2 | 5000 |
| S200X250TAT | | 2.50 [63.5] | 1.00 [25.4] | 2.75 [69.8] | | 1000 |
| S200X150VATY | GMV16 OR GMV17 | 1.50 [12.7] | 0.50 [12.7] | 1.75 [44.5] | | 5000 |
| S200X225VATY | | 2.25 [57.2] | 0.75 [19.1] | 2.50 [63.5] | | 1000 |
| S200X250VATY | | 2.50 [63.5] | 1.00 [25.4] | 2.75 [69.8] | | |
| S200X400VATY | | 4.00 [101.6] | | 4.25 [108.0] | | |
| S200X650VATY | | 6.50 [165.1] | 1.50 [38.1] +/- .10 | 6.75 [171.5] | | |

NOTES:
1. MILLIMETERS ARE IN [].



CAD FILENAME/LAYERS
I00472BY_DC_C10468/08H

| REV | DATE | BY | CHK | DESCRIPTION | ECN | R | CUST | SUP |
|-----|----------|-----|------|--|------|---|------|-----|
| 7 | 10/25/11 | RVU | | "GMV16 OR GMV17" WAS "GMV". | 6548 | R | | |
| 6 | 12/10/09 | RVU | MSAD | UPDATE ON ALL STANDARD TOLERANCES. ADD +/- .10 TO 1.50. | 5925 | R | | |
| 5 | 3/5/09 | RVU | | 5000 WAS 1000. +/- .062 UPDATE. This change was originally initiated and approved under ECN 5371 but the drawing change was not properly implemented. | 5698 | R | | |
| 4 | | | | VOID | | | | |
| 3 | 1-6-09 | RVU | | 1.50 +/- .10 WAS 1.00 +/- .031. CHANGE SIZE B TO A. .12, .062, .020 WAS .030, .015, .010. REMOVE NOTE 2. REMOVE ALL VAT PARTS. ADD NEW P/N, S200X150TAT, S200X250TAT, AND S200X250VATY. S200X***VATY, GMV16 WAS GMV. | 5633 | R | | |
| 2 | 5/30/07 | RVU | | | 5021 | R | | |
| 1 | 1-8-07 | RVU | | REVISED TOLERANCES. | 4830 | R | | |
| 0 | 9-1-06 | RVU | | DRAWING RELEASED. | 4671 | R | | |

PANDUIT CORP. TINLEY PARK, ILLINOIS

CUSTOMER DRAWING
OPTIMUM SELF-LAM. S200X***VATY
THERMAL TRANSFER PRINTABLE LABELS

UNLESS OTHERWISE SPECIFIED,
DIMENSIONAL TOLERANCES ARE:
(.X) ± .12 (.XXX) ± .025
(.XX) ± .062 ANGLES ±

UNLESS OTHERWISE SPECIFIED,
ALL DIMENSIONS ARE GIVEN
IN INCHES, THIRD ANGLE PROJECTION.

SCALE NTS

DRAWING NO. C10468

DWG SIZE A

DATE 9-1-06

SEE TABLE

CHK'D *[Signature]*