

Solid State PIN Control Products

2-18 GHz

Value Series PIN Switches



- SPST through SP4T and Transfer
- Integral TTL Drivers
- Hermetically Sealed

Description

Narda Value Series PIN switches provide a lower cost alternative to the super slim and performance series. They are ideal for many applications where miniature size and state-of-the-art performance are not required. The circuits are well proven since they are derived from and similar to those used in the Super Slim Series.

Specifications

Reflective Switches, SMA (F), 2 to 18 GHz

MODEL	TYPE	SWITCHING TIME MODULATION (ns)	BAND SEGMENTS (GHz)	INSERTION LOSS (dB max.)	VSWR (max.)	ISOLATION (dB min.)	POWER HANDLING (mW)	POWER SUPPLY REQUIREMENTS	
								mA @+5 V	mA @-12 V
SV213DS	SPST	50	2-12 12-18	2.0 2.5	2.0 2.0	50 50	500	50	60
SV123DS	SP2T	50	2-12 12-18	2.5 3.0	2.0 2.0	50 50	200	90	60
SV133DS	SP3T	50	2-12 12-18	2.7 3.1	2.0 2.0	50 50	200	105	75
SV143DS	SP4T	50	2-12 12-18	2.7 3.1	2.0 2.0	50 50	200	105	75
XSV323DS	XFER	50	2-12 12-18	3.0 3.4	2.0 2.0	50 50	200	80	80

Solid State PIN Control Products

Specifications

Absorptive Switches, SMA (F), 2 to 18 GHz

MODEL	TYPE	SWITCHING TIME MODULATION (ns)	BAND SEGMENTS (GHz)	INSERTION LOSS (dB max.)	VSWR (max.)	ISOLATION (dB min.)	POWER HANDLING (mW)	POWER SUPPLY REQUIREMENTS	
								mA @+5 V	mA @-12 V
SV213DTS	SPST	50	2-12 12-18	2.3 2.8	2.0 2.0	60 45	200	40	60
SV123DTS	SP2T	50	2-12 12-18	2.7 3.0	2.0 2.0	60 50	200	60	60
SV133DTS	SP3T	50	2-12 12-18	2.8 3.3	2.0 2.0	60 45	200	105	75
SV143DTS	SP4T	50	2-12 12-18	2.8 3.3	2.0 2.0	60 45	200	105	75

Electrical Specifications

TTL CONTROL LOGIC

Logic 0 (0-0.8 V, 1.6 mA max. sink @ 0.4 V) = Insertion Loss
Logic 1 (2.0-5.5 V, 40 μ A max. source @ 2.4 V) = Isolation

FOR TRANSFER SWITCH (XSV323DS)

Logic 0: J1-J2 and J3-J4 at Insertion Loss
Logic 1: J1-J4 and J2-J3 at Insertion Loss

SWITCHING TIME

T on = 50% TTL to 90% of RF voltage
T off = 50% TTL to 10% of RF voltage

SWITCHING RATE

1 MHz max. PRF @50% duty cycle

DRIVER

Reverse voltage protected

SURVIVAL POWER at 25°C (Cold Switching)

1.0 W CW, 20 W Peak (1 μ s max. pulse width, 5% duty cycle)
Derate linearly to 50% at +95°C

Environmental Specifications

TEMPERATURE

Operating -54°C to +95°C
Storage -65°C to +125°C

HUMIDITY

Per MIL-STD-202F, method 103B, condition B
(96 hours at 95% R.H.)

SHOCK

Per MIL-STD-202F, method 213B, condition B
(75 G, 6 ms)

ALTITUDE

Per MIL-STD-202F, method 105C, condition B
(50,000 feet)

VIBRATION

Per MIL-STD-202F, method 204D, condition B
(.06" double amplitude or 15 G, whichever is less)

THERMAL SHOCK

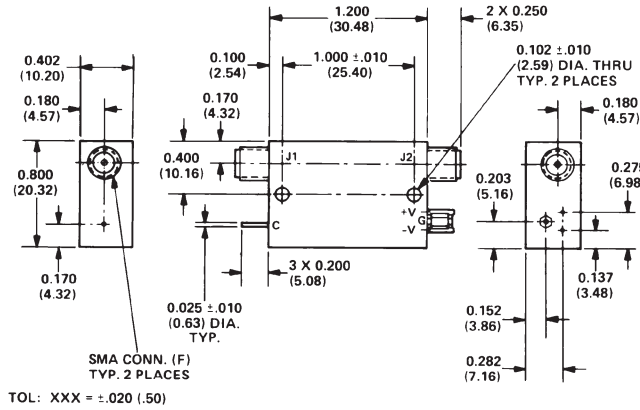
Per MIL-STD-202F, method 107D, condition A (5 cycles)

Options

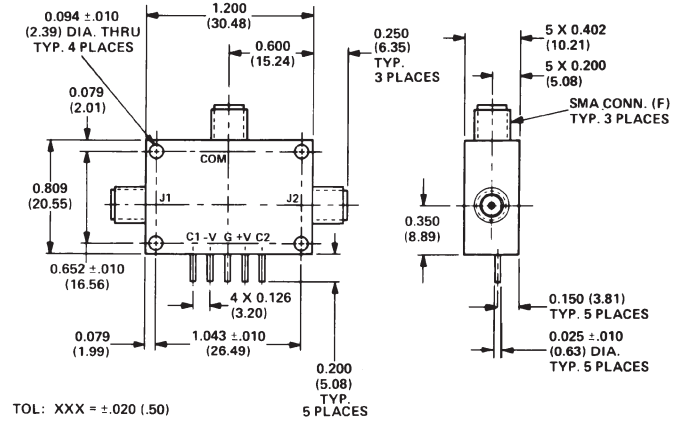
- Very Low Loss Video Leakage
- Inverted TTL Logic Control
- BCD Decoder Driver
- Package Configuration
- Over Voltage Protection

Solid State PIN Control Products

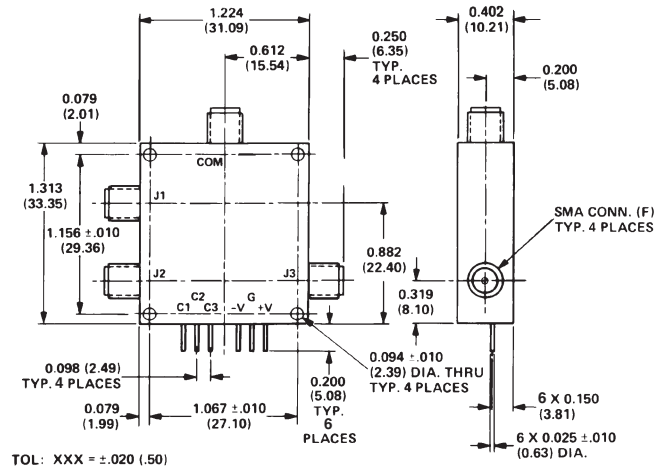
Outline Drawings



SV213DS, SV213DTS



SV123DS, SV123DTS

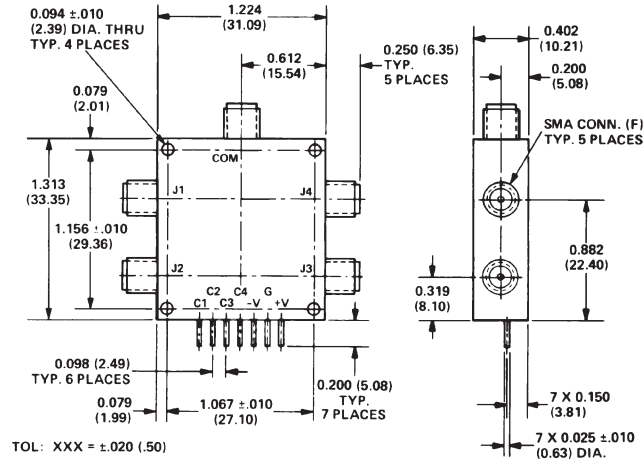


SV133DS, SV133DTS

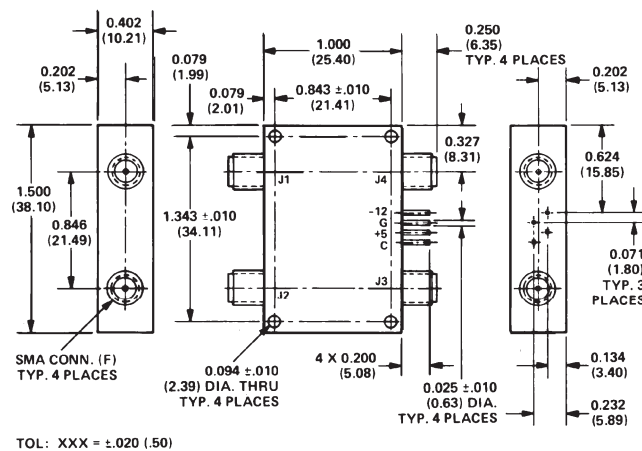
Dimensions in inches (mm in parentheses), unless otherwise specified.

Solid State PIN Control Products

Outline Drawings



SV143DS, SV143DTS



XSV323DS

Dimensions in inches (mm in parentheses), unless otherwise specified.