


Table of Contents

2	Notes
3	GS1500M MODULE
4	FLASH, UART, SPI
5	TOWER ELEVATOR CONNECTORS

Revisions

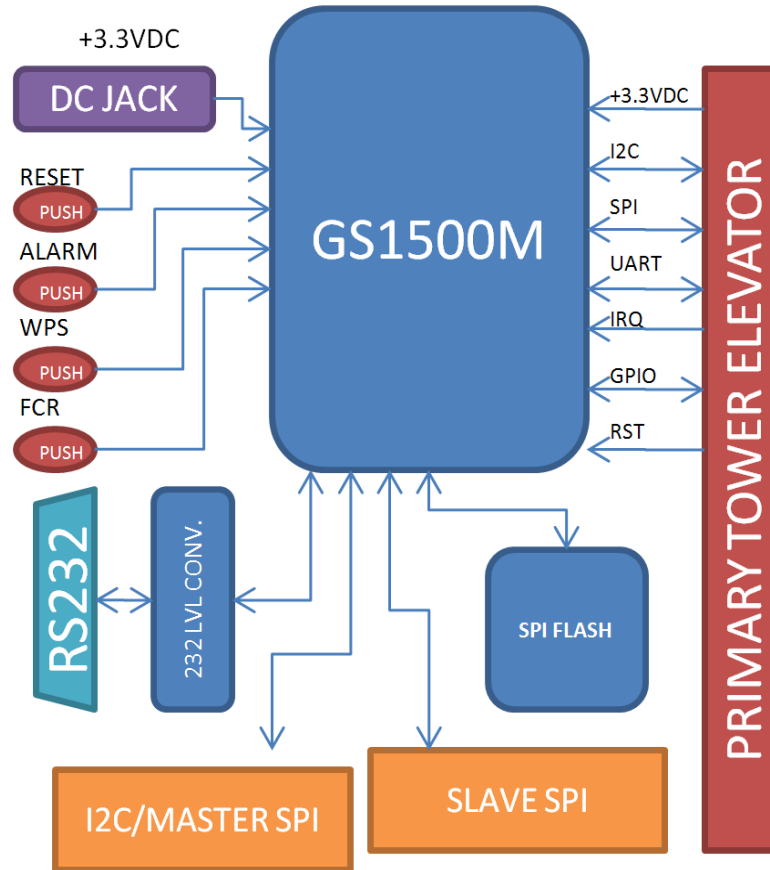
Rev	Description	Date	Approved
X	Initial Draft	11/09/11	M. Norman
X1	Initial Release	11/18/11	M. Norman
A	Release to production	11/30/11	M. Norman

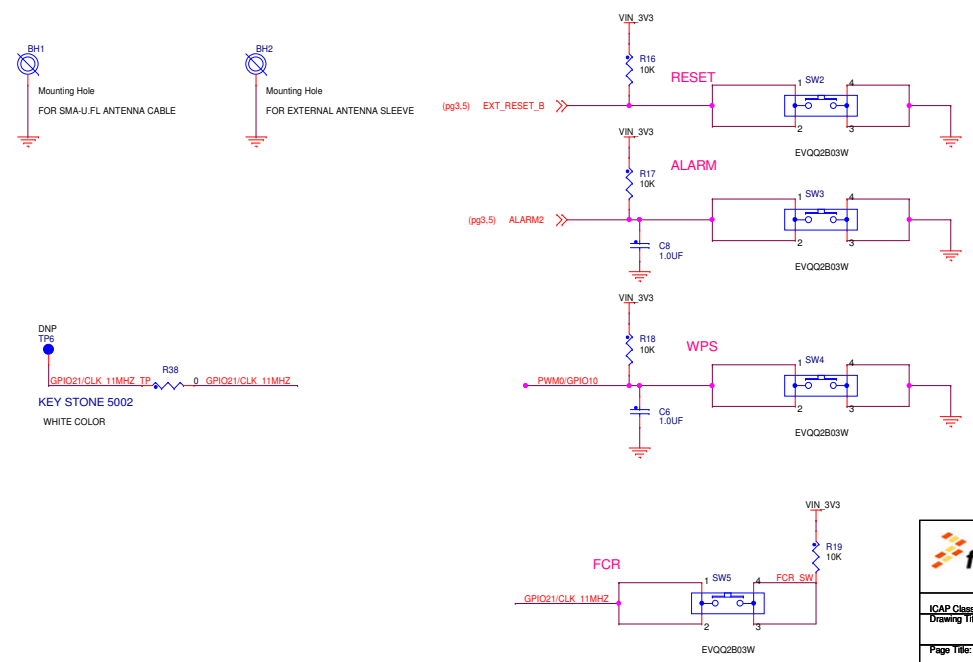
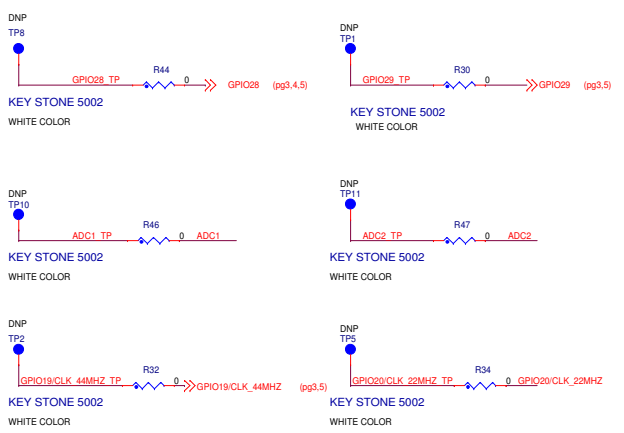
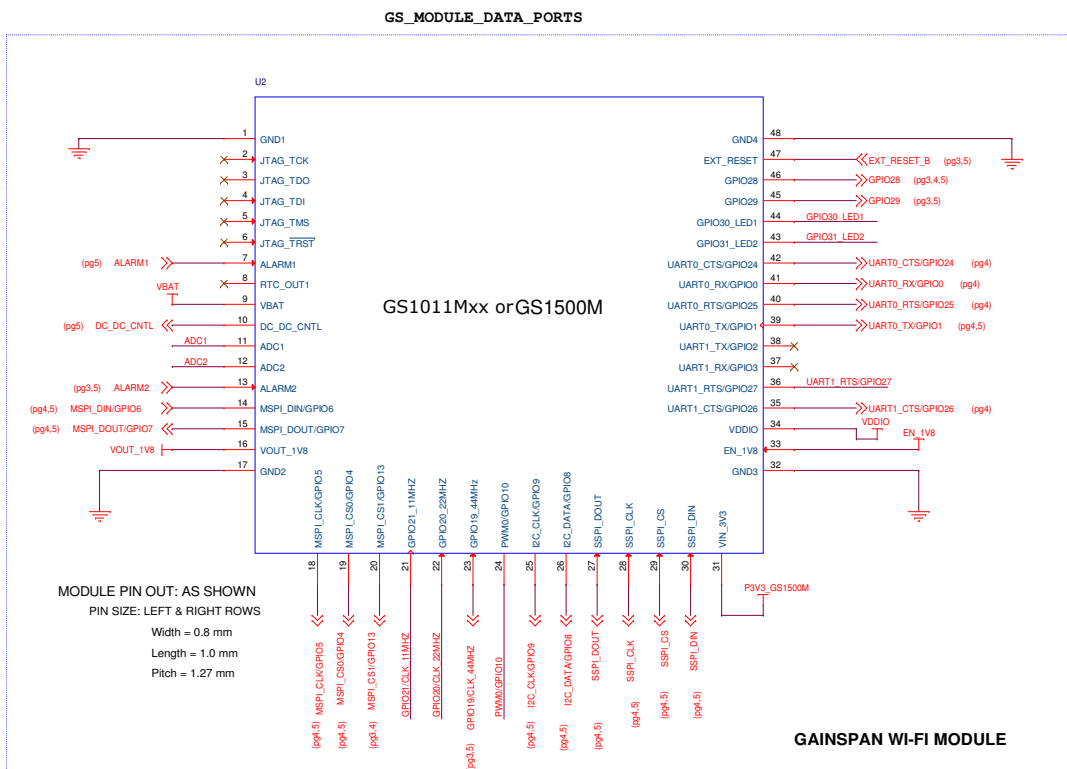
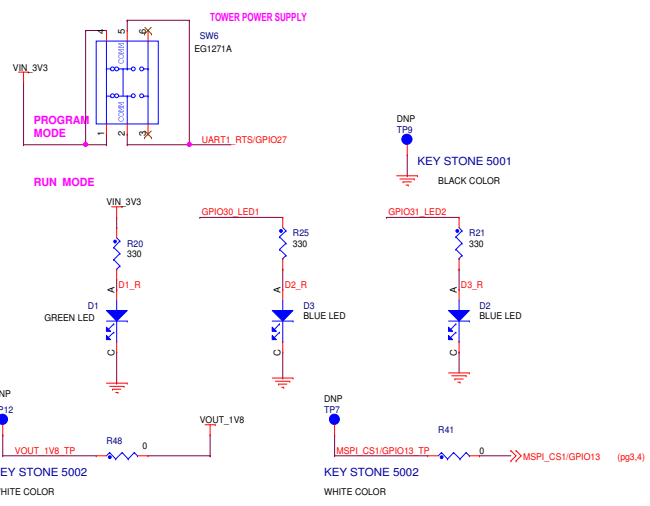
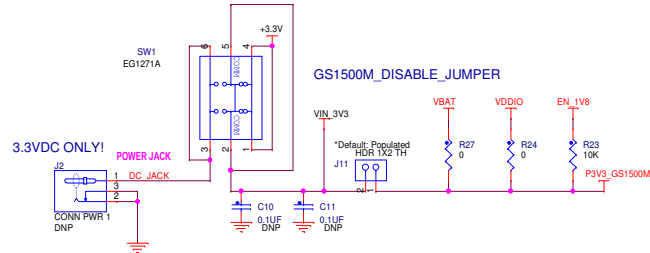
TWR-WIFI-GS1500M

		Microcontroller Solutions Group	
		6501 William Cannon Drive West Austin, TX 78758-6598	
<small>This document contains information proprietary to Freescale Semiconductor and shall not be used for engineering design, procurement or manufacture in whole or in part without the express written permission of Freescale Semiconductor.</small>			
Designer: Rafael del Rey		ICAP Classification: FOP: FUC: PUB: X	
Drawing Title: Rafael del Rey		TWR-WIFI-GS1500M	
Drawn by: Rafael del Rey		Page Title: TITLE PAGE	
Approved: Michael Norman	Size C	Document Number SCH-27366 PDF: SPF-27366	Rev A
Date: Wednesday, December 07, 2011		Sheet 1 of 5	

- Unless Otherwise Specified:
 All resistors are in ohms, 5%, 1/8 Watt
 All capacitors are in uF, 20%, 50V
 All voltages are DC
 All polarized capacitors are aluminum electrolytic
- Interrupted lines coded with the same letter or letter combinations are electrically connected.
- Device type number is for reference only. The number varies with the manufacturer.
- Special signal usage:
 _B Denotes - Active-Low Signal
 <> or [] Denotes - Vectored Signals
- Interpret diagram in accordance with American National Standards Institute specifications, current revision, with the exception of logic block symbology.

BLOCK DIAGRAM





freescale
semiconductor

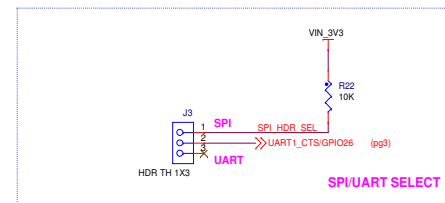
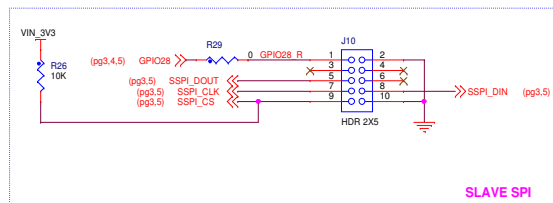
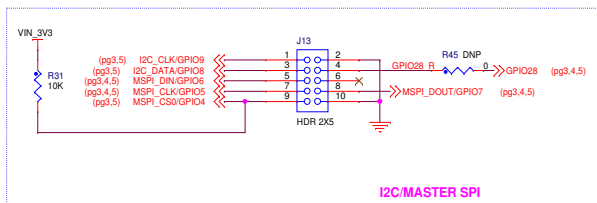
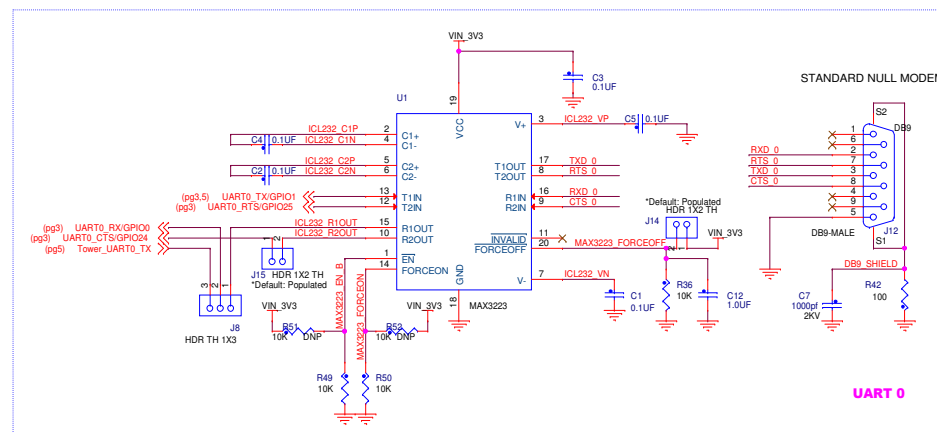
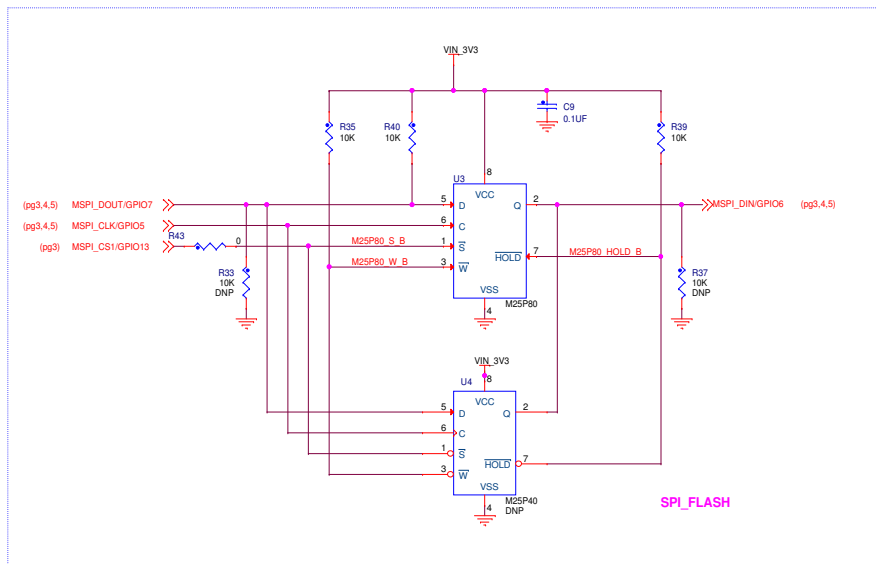
ICAP Classification: FCP: FIUC: PUBI: X

Drawing Title: **TWR-WIFI-GS1500M**

Page Title: **GS1500M MODULE**

Size C	Document Number SCH-27366 PDF: SPF-27366	Rev A
--------	--	-------

Date: Wednesday, December 07, 2011 Sheet 3 of 5



TOWER ELEVATOR CONNECTORS

