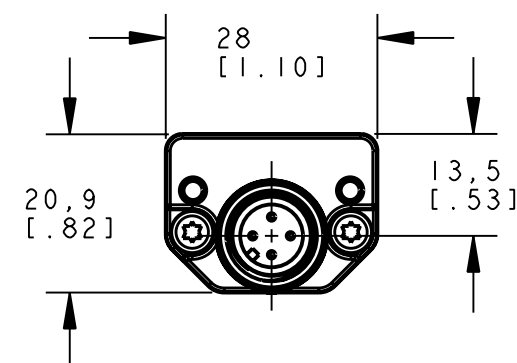
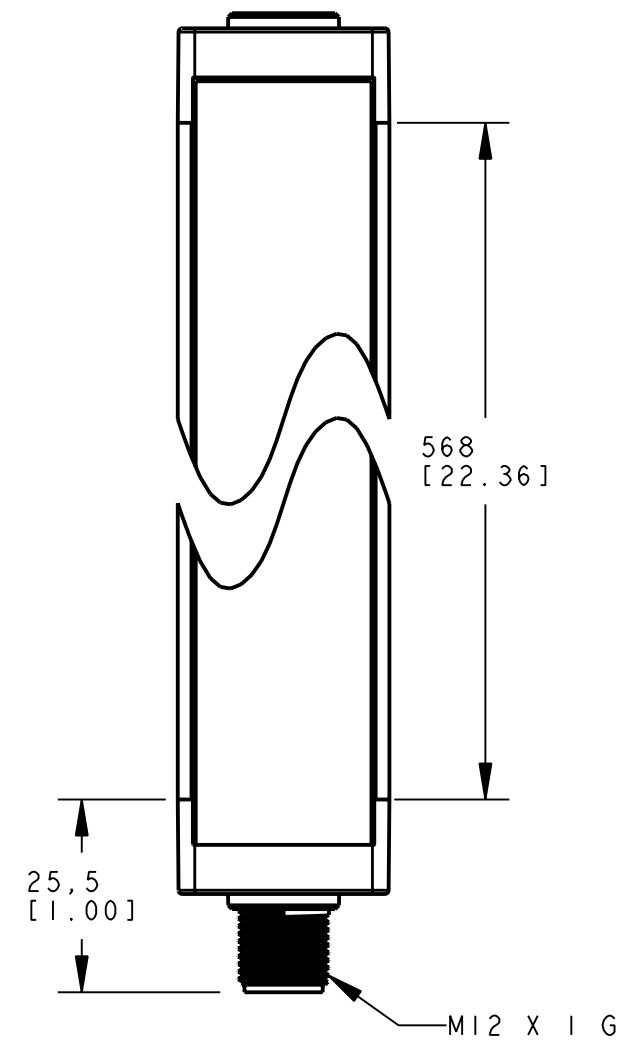
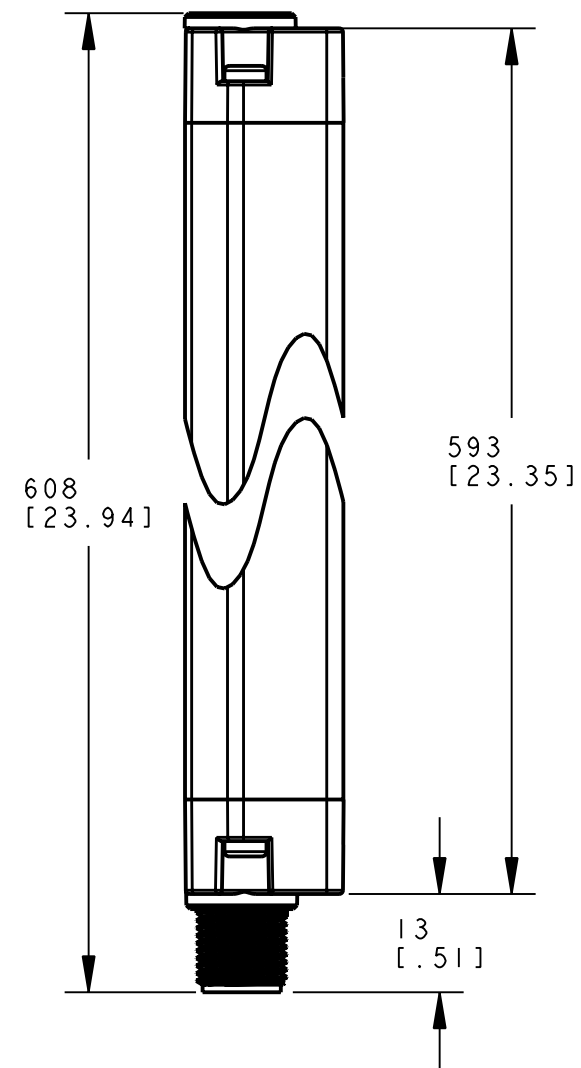


ISOMETRIC VIEW  
SCALE 1:4



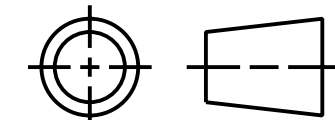
NOTES:  
1. ALL DIMENSIONS ARE MILLIMETERS [INCHES] UNLESS OTHERWISE NOTED.

This drawing is the property  
of BANNER ENGINEERING CORP.  
and is proprietary in general  
and in detail. Its contents  
shall not be revealed to  
outside parties without  
written consent of BANNER.



BANNER ENGINEERING CORP.  
P.O. BOX 9414  
MINNEAPOLIS, MN 55440

THIRD ANGLE PROJECTION



TITLE		WLS28X570SQ WEB CAD DRAWINGS 2D/3D	
SIZE C	DRAWING NO. 157897	REV. A	
SCALE 1:1		SHEET 1 OF 1	