

6

5

4

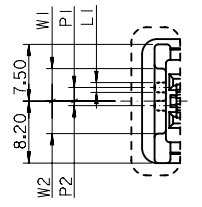
3

2

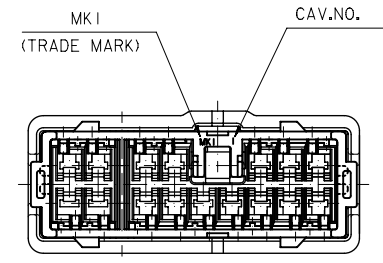
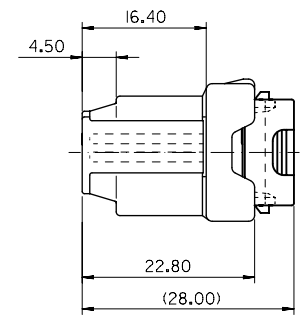
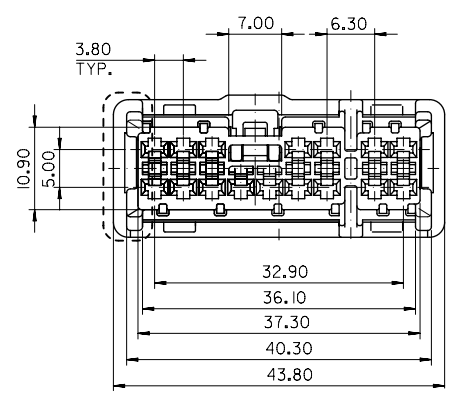
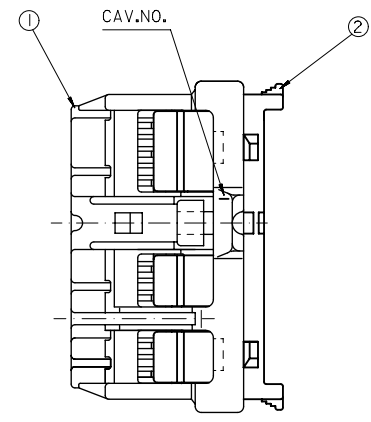
1

ENG.NO.	DIMENSIONS					COLOR
	L1	P1	P2	W1	W2	
35284-1690	--- (NO RIB)			4.20	2.70	NATURAL
35284-1695	1.30	1.80	---	4.30	4.30	GRAY
35284-1697	1.30	---	0.60	4.30	4.30	BROWN

	PART NO.	PART NAME	MATERIAL
①	35284-169*	UNICONN FEMALE HOUSING-16P	PBT
②	35285-168 I	UNICONN FEMALE TPA-16P	PBT,BLACK



POLARIZED GUIDE RIBS



MATERIAL NO.	ORDER NO.	COLOR
352841617	35284-1617	BROWN

THIS DRAWING CONTAINS INFORMATION THAT IS PROPRIETARY TO MOLEX ELECTRONIC TECHNOLOGIES, LLC AND SHOULD NOT BE USED WITHOUT WRITTEN PERMISSION

DIMENSION UNITS	SCALE	CURRENT REV DESC:
mm	1:1	
GENERAL TOLERANCES (UNLESS SPECIFIED)		
	MM	INCH
4 PLACES	±	±
3 PLACES	±	±
2 PLACES	±	±
1 PLACE	±	±
0 PLACES	±	±
ANGULAR TOL		± 1.0 °



UNICONN FEMALE ASSY - 16P

PRODUCT CUSTOMER DRAWING			
DOCUMENT NUMBER	DOC TYPE	DOC PART	REVISION
SD-35284-1610	PSD	001	B2

DRAFT WHERE APPLICABLE MUST REMAIN WITHIN DIMENSIONS	THIRD ANGLE PROJECTION	DRAWING	SERIES	MATERIAL NUMBER	CUSTOMER	SHEET NUMBER
		A4-SIZE	35284	SEE TABLE	GENERAL MARKET	1 OF 1

DOCUMENT STATUS	P1	RELEASE DATE	2019/11/11	02:35:57

6

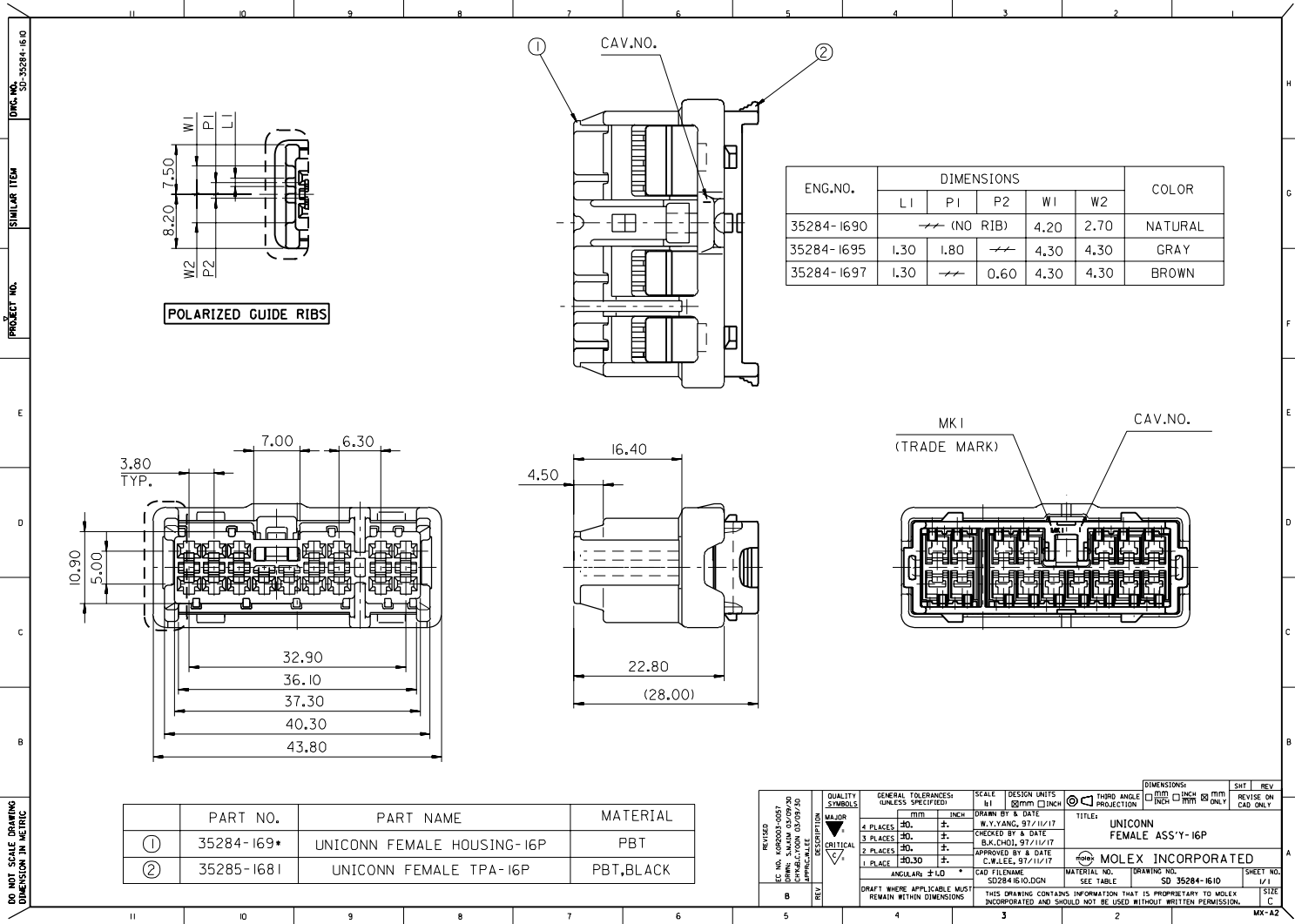
5

4

3

2

1



ENG.NO.	DIMENSIONS					COLOR
	L1	P1	P2	W1	W2	
35284-1690	// (NO RIB)			4.20	2.70	NATURAL
35284-1695	1.30	1.80	//	4.30	4.30	GRAY
35284-1697	1.30	//	0.60	4.30	4.30	BROWN

	PART NO.	PART NAME	MATERIAL
①	35284-169*	UNICONN FEMALE HOUSING-I6P	PBT
②	35285-1681	UNICONN FEMALE TPA-I6P	PBT,BLACK

REVISIONS 1. DATE: 9/11/17 2. DATE: 9/11/17 3. DATE: 9/11/17 4. DATE: 9/11/17	QUALITY SYMBOLS MAJOR CRITICAL MINOR	GENERAL TOLERANCES: (UNLESS SPECIFIED) DIM INCH ± .010 DIM MM ± .10	SCALE 1:1	DESIGN UNITS DIM INCH DIM MM	THIRD ANGLE PROJECTION	DIMENSIONS: DIM INCH DIM MM DIM ONLY	SHEET NO. 1/1	REV. REVISE ON CAD ONLY
		TITLE: UNICONN FEMALE ASS'Y-I6P					MOLEX INCORPORATED	
DRAFT WHERE APPLICABLE MUST REMAIN WITHIN DIMENSIONS		THIS DRAWING CONTAINS INFORMATION THAT IS PROPRIETARY TO MOLEX INCORPORATED AND SHOULD NOT BE USED WITHOUT WRITTEN PERMISSION.						

PROJECT NO. UNICONN SD-35284-16.0  
 SIMILAR ITEM  
 DO NOT SCALE DRAWING  
 DIMENSION IN METRIC

H  
 G  
 F  
 E  
 D  
 C  
 B  
 A  
 MK-A2