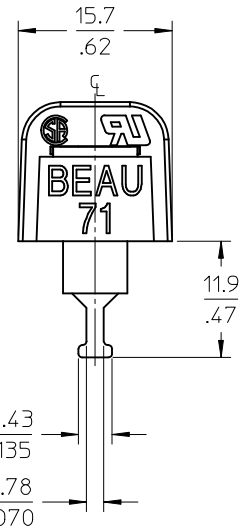
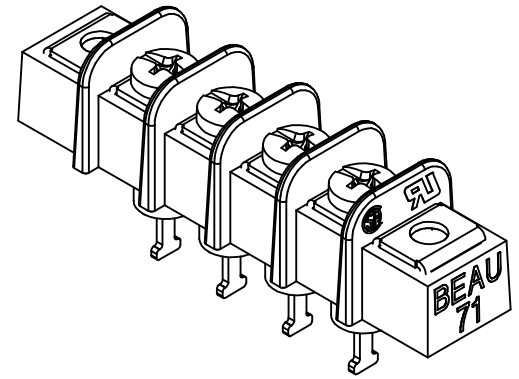
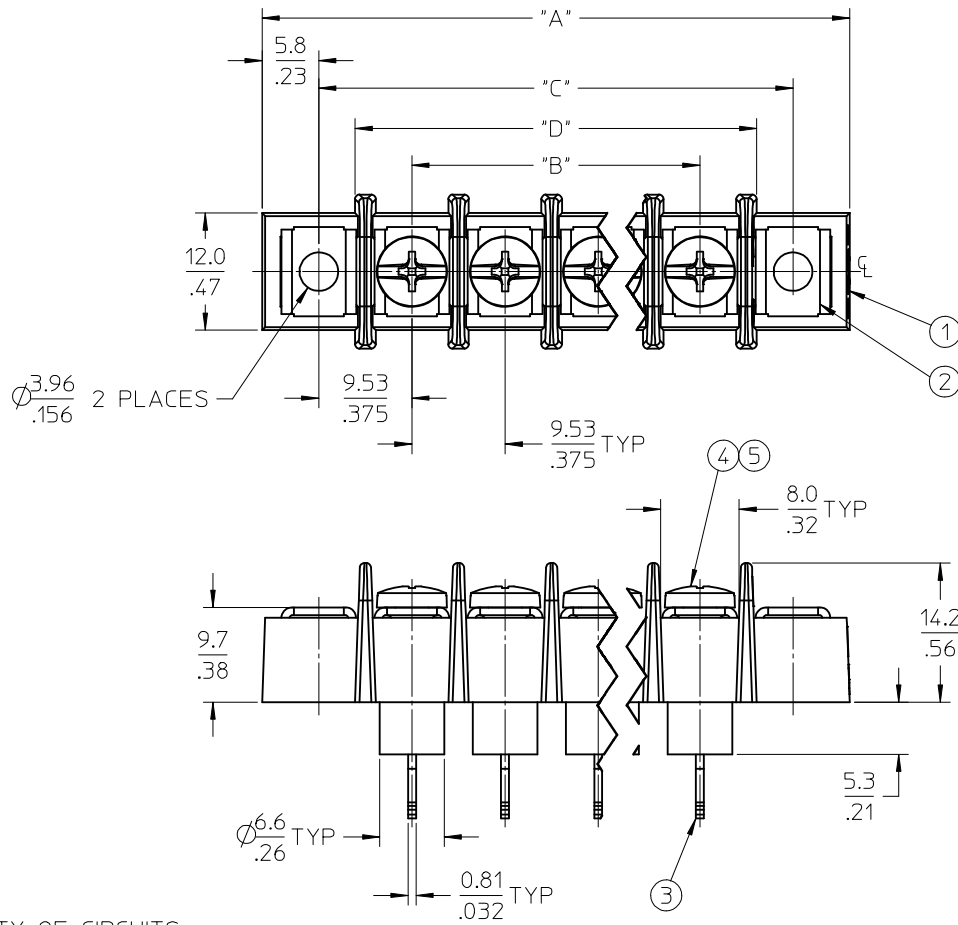


REF. -50 OPT. SCREW
(WHERE APPLICABLE)



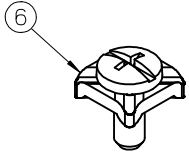
- NOTES:
1. MATERIAL: SEE TABLE
 2. FINISHES: SEE TABLE
 3. "XX" REFERS TO THE QUANTITY OF CIRCUITS.
 4. ASSEMBLY IS ROHS COMPLIANT.

6	XX	SCREW&WASHER,#6-32X.25,PAN,PH/SL (-50 OPT)	STEEL	ZN, CLEAR CHROMATE
5	XX	SCREW,#6-32X.25,BHD,PH/SL (-49 OPT)	BRASS	NICKEL PLATE
4	XX	SCREW,#6-32X.25,BHD,PH/SL (STANDARD)	STEEL	ZN, CLEAR CHROMATE
3	XX	TERMINAL, TURRET	BRASS	TIN PLATE
2	2	PLATE, MOUNTING	BRASS	NICKEL PLATE
1	1	INSULATOR, SINGLE ROW, INSL. BASE	POLYESTER (PBT)	BLACK
ITEM	QTY.	DESCRIPTION	MATERIAL	FINISH

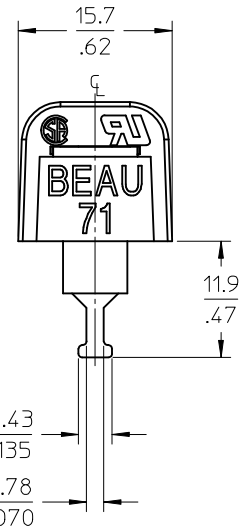
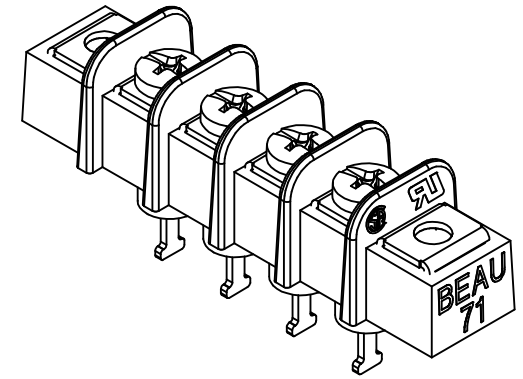
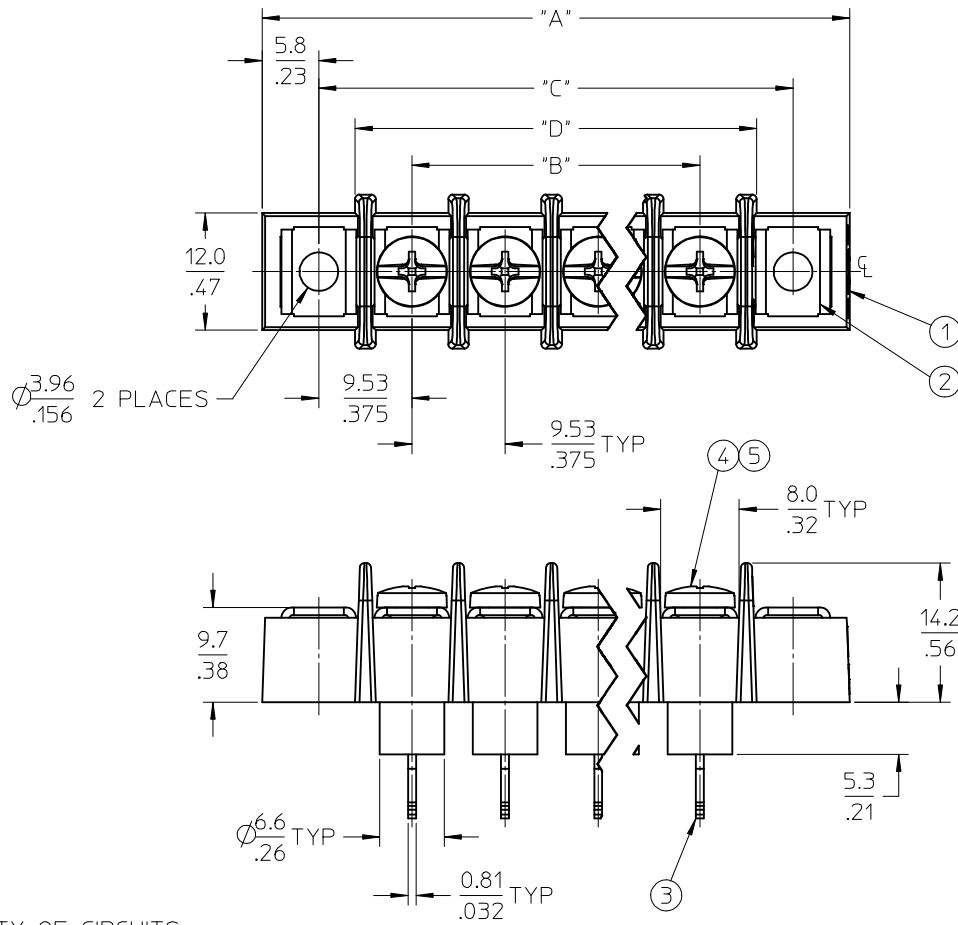
INITIAL RELEASE EC NO: WNA2009-0043 DRAWN BY: C. YORK 2008/09/22 CHKD: RDEROSS 2008/09/22 APPR: RDEROSS 2008/09/22 DESCRIPTION REV: A	QUALITY SYMBOLS	GENERAL TOLERANCES (UNLESS SPECIFIED)	DIMENSION STYLE	SCALE	DESIGN UNITS	THIRD ANGLE PROJECTION
	▼=0 ▽=0	mm INCH 4 PLACES ± --- ± --- 3 PLACES ± --- ± .005 2 PLACES ± 0.13 ± .01 1 PLACE ± 0.3 ± --- ANGULAR ± 2 °	MM/IN	2:1	INCH	
		DRAFT WHERE APPLICABLE MUST REMAIN WITHIN DIMENSIONS	DRAWN BY DATE	TITLE		
			C. YORK 2008/09/02	9.53/.375 SR BTS, SDR. TURRET ASSY, INSL. BASE		
		APPROVED BY DATE	MATERIAL NO.			
		R. DEROSS 2008/09/02	SEE SHT. 2			
			MATERIAL NO.			
			DOCUMENT NO.			
			SD-38710-004			
			SHEET NO.			
			1 OF 2			
			THIS DRAWING CONTAINS INFORMATION THAT IS PROPRIETARY TO MOLEX INCORPORATED AND SHOULD NOT BE USED WITHOUT WRITTEN PERMISSION			

NO. OF CIRCUITS	DIM. "A"		DIM. "B"		DIM. "C"		DIM. "D"		ASSEMBLY MATERIAL NO. (STANDARD)	ASSEMBLY MATERIAL NO. (-49 OPTION)	ASSEMBLY MATERIAL NO. (-50 OPTION)
	mm	in	mm	in	mm	in	mm	in			
02	40.1	1.58	9.53	.375	28.58	1.125	21.1	.83	387103202	387103502	387103802
03	49.7	1.96	19.05	.750	38.10	1.500	30.7	1.21	387103203	387103503	387103803
04	59.2	2.33	28.58	1.125	47.63	1.875	40.2	1.58	387103204	387103504	387103804
05	68.7	2.71	38.10	1.500	57.15	2.250	49.7	1.96	387103205	387103505	387103805
06	78.2	3.08	47.63	1.875	66.68	2.625	59.2	2.33	387103206	387103506	387103806
07	87.8	3.46	57.15	2.250	76.20	3.000	68.8	2.71	387103207	387103507	387103807
08	97.3	3.83	66.68	2.625	85.73	3.375	78.3	3.08	387103208	387103508	387103808
09	106.8	4.21	76.20	3.000	95.25	3.750	87.8	3.46	387103209	387103509	387103809
10	116.3	4.58	85.73	3.375	104.78	4.125	97.3	3.83	387103210	387103510	387103810
11	125.9	4.96	95.25	3.750	114.30	4.500	106.9	4.21	387103211	387103511	387103811
12	135.4	5.33	104.78	4.125	123.83	4.875	116.4	4.58	387103212	387103512	387103812
13	144.9	5.71	114.30	4.500	133.35	5.250	125.9	4.96	387103213	387103513	387103813
14	154.4	6.08	123.83	4.875	142.88	5.625	135.4	5.33	387103214	387103514	387103814
15	164.0	6.46	133.35	5.250	152.40	6.000	145.0	5.71	387103215	387103515	387103815
16	173.5	6.83	142.88	5.625	161.93	6.375	154.5	6.08	387103216	387103516	387103816
17	183.0	7.21	152.40	6.000	171.45	6.750	164.0	6.46	387103217	387103517	387103817
18	192.5	7.58	161.93	6.375	180.98	7.125	173.5	6.83	387103218	387103518	387103818
19	202.1	7.96	171.45	6.750	190.50	7.500	183.1	7.21	387103219	387103519	387103819
20	211.6	8.33	180.98	7.125	200.03	7.875	192.6	7.58	387103220	387103520	387103820
21	221.1	8.71	190.50	7.500	209.55	8.250	202.1	7.96	387103221	387103521	387103821
22	230.6	9.08	200.03	7.875	219.08	8.625	211.6	8.33	387103222	387103522	387103822
23	240.2	9.46	209.55	8.250	228.60	9.000	221.2	8.71	387103223	387103523	387103823
24	249.7	9.83	219.08	8.625	238.13	9.375	230.7	9.08	387103224	387103524	387103824
25	259.2	10.21	228.60	9.000	247.65	9.750	240.2	9.46	387103225	387103525	387103825
26	268.7	10.58	238.13	9.375	257.18	10.125	249.7	9.83	387103226	387103526	387103826

SEE SHEET 1 EC NO: WNAZ009-0043 DRAWN BY: C. YORK 2008/09/22 CHKD: RDEROSS 2008/09/22 APPR: RDEROSS 2008/09/23	DESCRIPTION REV A	QUALITY SYMBOLS	GENERAL TOLERANCES (UNLESS SPECIFIED)	DIMENSION STYLE	SCALE	DESIGN UNITS	THIRD ANGLE PROJECTION	
		$\nabla=0$ $\nabla=0$	mm INCH 4 PLACES ± --- ± --- 3 PLACES ± --- ± .005 2 PLACES ± 0.13 ± .01 1 PLACE ± 0.3 ± --- ANGULAR ± 2°	MM/IN	1:1	INCH	DRAWN BY: C. YORK DATE: 2008/09/02 CHECKED BY: R. DEROSS DATE: 2008/09/02 APPROVED BY: R. DEROSS DATE: 2008/09/02	TITLE
		DRAFT WHERE APPLICABLE MUST REMAIN WITHIN DIMENSIONS	SEE CHART	MATERIAL NO.	DOCUMENT NO.	MOLEX INCORPORATED SD-38710-004		9.53/.375 SR BTS, SDR. TURRET ASSY, INSUL. BASE
			SIZE B	THIS DRAWING CONTAINS INFORMATION THAT IS PROPRIETARY TO MOLEX INCORPORATED AND SHOULD NOT BE USED WITHOUT WRITTEN PERMISSION		SHEET NO.	2 OF 2	



REF. -50 OPT. SCREW
(WHERE APPLICABLE)



- NOTES:
1. MATERIAL: SEE TABLE
 2. FINISHES: SEE TABLE
 3. "XX" REFERS TO THE QUANTITY OF CIRCUITS.
 4. ASSEMBLY IS ROHS COMPLIANT.

6	XX	SCREW&WASHER,#6-32X.25,PAN,PH/SL (-50 OPT)	STEEL	ZN, CLEAR CHROMATE
5	XX	SCREW,#6-32X.25,BHD,PH/SL (-49 OPT)	BRASS	NICKEL PLATE
4	XX	SCREW,#6-32X.25,BHD,PH/SL (STANDARD)	STEEL	ZN, CLEAR CHROMATE
3	XX	TERMINAL, TURRET	BRASS	TIN PLATE
2	2	PLATE, MOUNTING	BRASS	NICKEL PLATE
1	1	INSULATOR, SINGLE ROW, INSL. BASE	POLYESTER (PBT)	BLACK
ITEM	QTY.	DESCRIPTION	MATERIAL	FINISH

INITIAL RELEASE
EC NO: WNA2009-0043
DRAWN: C. YORK 2008/09/22
CHKD: R. DEROSS 2008/09/22
APPR: R. DEROSS 2008/09/22

QUALITY SYMBOLS
▽=0
▽=0

GENERAL TOLERANCES (UNLESS SPECIFIED)

	mm	INCH
4 PLACES	± ---	± ---
3 PLACES	± ---	± .005
2 PLACES	± 0.13	± .01
1 PLACE	± 0.3	± ---
ANGULAR ± 2 °		

DRAFT WHERE APPLICABLE
MUST REMAIN WITHIN DIMENSIONS

DIMENSION STYLE
MM/IN

DRAWN BY	DATE
C. YORK	2008/09/02
CHECKED BY	DATE
R. DEROSS	2008/09/02
APPROVED BY	DATE
R. DEROSS	2008/09/02

MATERIAL NO.
SEE SHT. 2

SCALE 2:1
DESIGN UNITS INCH
THIRD ANGLE PROJECTION

TITLE
9.53/.375 SR BTS, SDR.
TURRET ASSY, INSL. BASE

MOLEX INCORPORATED
DOCUMENT NO. SD-38710-004
SHEET NO. 1 OF 2

THIS DRAWING CONTAINS INFORMATION THAT IS PROPRIETARY TO MOLEX INCORPORATED AND SHOULD NOT BE USED WITHOUT WRITTEN PERMISSION

NO. OF CIRCUITS	DIM. "A"		DIM. "B"		DIM. "C"		DIM. "D"		ASSEMBLY MATERIAL NO. (STANDARD)	ASSEMBLY MATERIAL NO. (-49 OPTION)	ASSEMBLY MATERIAL NO. (-50 OPTION)
	mm	in	mm	in	mm	in	mm	in			
02	40.1	1.58	9.53	.375	28.58	1.125	21.1	.83	387103202	387103502	387103802
03	49.7	1.96	19.05	.750	38.10	1.500	30.7	1.21	387103203	387103503	387103803
04	59.2	2.33	28.58	1.125	47.63	1.875	40.2	1.58	387103204	387103504	387103804
05	68.7	2.71	38.10	1.500	57.15	2.250	49.7	1.96	387103205	387103505	387103805
06	78.2	3.08	47.63	1.875	66.68	2.625	59.2	2.33	387103206	387103506	387103806
07	87.8	3.46	57.15	2.250	76.20	3.000	68.8	2.71	387103207	387103507	387103807
08	97.3	3.83	66.68	2.625	85.73	3.375	78.3	3.08	387103208	387103508	387103808
09	106.8	4.21	76.20	3.000	95.25	3.750	87.8	3.46	387103209	387103509	387103809
10	116.3	4.58	85.73	3.375	104.78	4.125	97.3	3.83	387103210	387103510	387103810
11	125.9	4.96	95.25	3.750	114.30	4.500	106.9	4.21	387103211	387103511	387103811
12	135.4	5.33	104.78	4.125	123.83	4.875	116.4	4.58	387103212	387103512	387103812
13	144.9	5.71	114.30	4.500	133.35	5.250	125.9	4.96	387103213	387103513	387103813
14	154.4	6.08	123.83	4.875	142.88	5.625	135.4	5.33	387103214	387103514	387103814
15	164.0	6.46	133.35	5.250	152.40	6.000	145.0	5.71	387103215	387103515	387103815
16	173.5	6.83	142.88	5.625	161.93	6.375	154.5	6.08	387103216	387103516	387103816
17	183.0	7.21	152.40	6.000	171.45	6.750	164.0	6.46	387103217	387103517	387103817
18	192.5	7.58	161.93	6.375	180.98	7.125	173.5	6.83	387103218	387103518	387103818
19	202.1	7.96	171.45	6.750	190.50	7.500	183.1	7.21	387103219	387103519	387103819
20	211.6	8.33	180.98	7.125	200.03	7.875	192.6	7.58	387103220	387103520	387103820
21	221.1	8.71	190.50	7.500	209.55	8.250	202.1	7.96	387103221	387103521	387103821
22	230.6	9.08	200.03	7.875	219.08	8.625	211.6	8.33	387103222	387103522	387103822
23	240.2	9.46	209.55	8.250	228.60	9.000	221.2	8.71	387103223	387103523	387103823
24	249.7	9.83	219.08	8.625	238.13	9.375	230.7	9.08	387103224	387103524	387103824
25	259.2	10.21	228.60	9.000	247.65	9.750	240.2	9.46	387103225	387103525	387103825
26	268.7	10.58	238.13	9.375	257.18	10.125	249.7	9.83	387103226	387103526	387103826

SEE SHEET 1 EC NO: WNAZ009-0043 DRAWN BY: C. YORK CHKD: RDEROSS APPR: RDEROSS DATE: 2008/09/22 DATE: 2008/09/22	DESCRIPTION REV A	QUALITY SYMBOLS ▽=0 ▽=0	GENERAL TOLERANCES (UNLESS SPECIFIED) mm INCH 4 PLACES ± --- ± --- 3 PLACES ± --- ± .005 2 PLACES ± 0.13 ± .01 1 PLACE ± 0.3 ± --- ANGULAR ± 2°	DIMENSION STYLE MM/IN DRAWN BY: C. YORK CHECKED BY: R. DEROSS APPROVED BY: R. DEROSS DATE: 2008/09/02 DATE: 2008/09/02 DATE: 2008/09/02	SCALE 1:1	DESIGN UNITS INCH	THIRD ANGLE PROJECTION 9.53/.375 SR BTS, SDR. TURRET ASSY, INSUL. BASE
		DRAFT WHERE APPLICABLE MUST REMAIN WITHIN DIMENSIONS	SEE CHART	MOLEX INCORPORATED	DOCUMENT NO. SD-38710-004	SHEET NO. 2 OF 2	
		THIS DRAWING CONTAINS INFORMATION THAT IS PROPRIETARY TO MOLEX INCORPORATED AND SHOULD NOT BE USED WITHOUT WRITTEN PERMISSION					
		MATERIAL NO.					