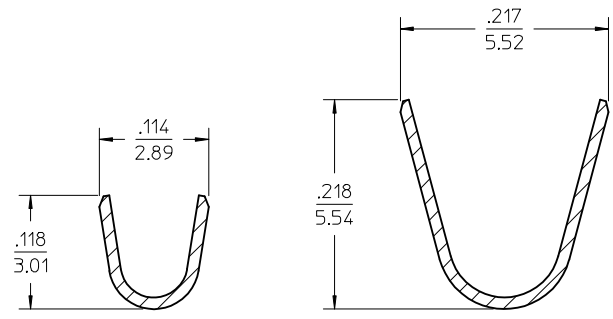


CARRIER STRIP PROGRESSION

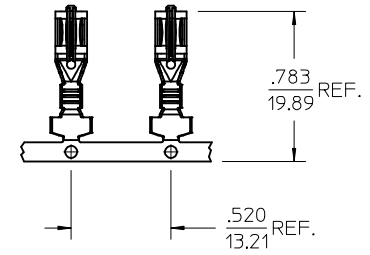
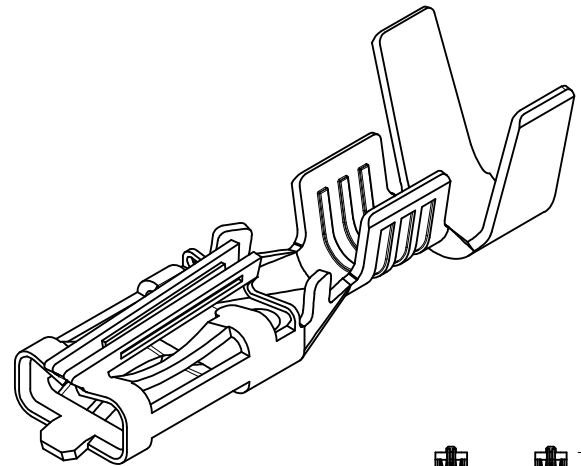
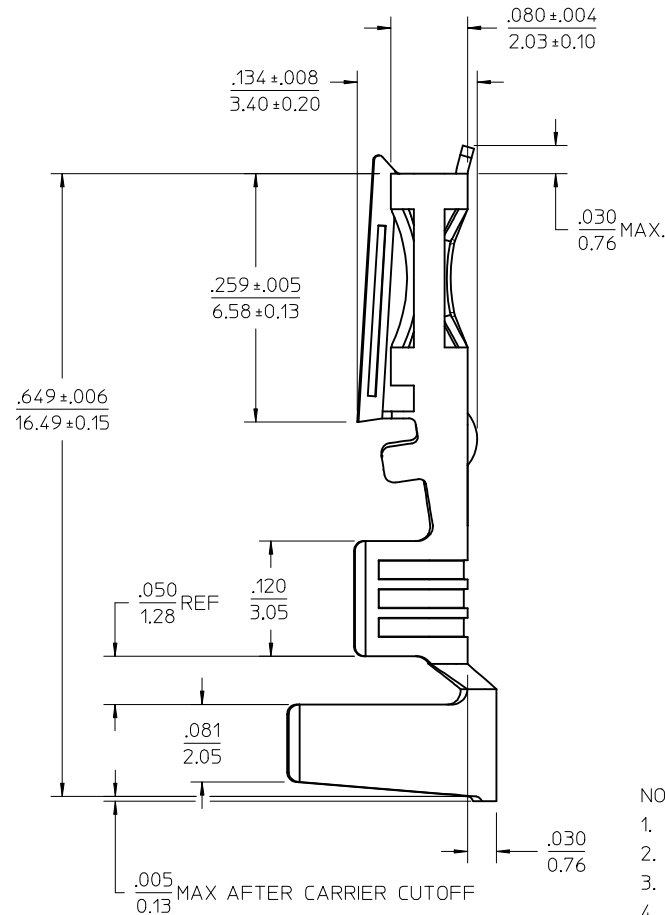
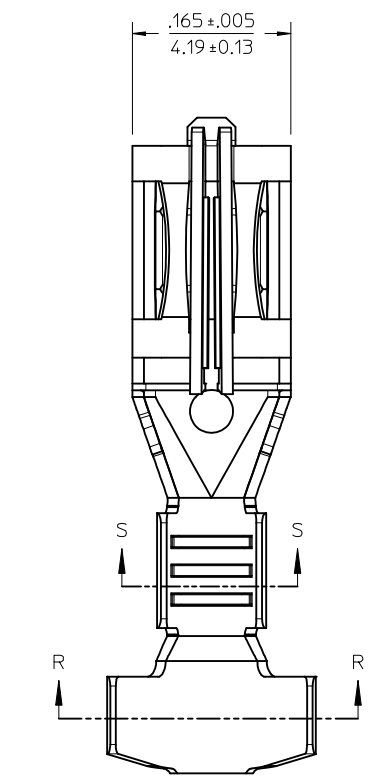
- NOTES:
1. MATERIAL: BRASS
 2. FINISH: 20 MICRORINCH / (0.5 MICROMETER) MIN. PREPLATED HOT TIN DIP FINISH.
 3. PRODUCT SPECIFICATION: PS-43374-001.
 4. PACKAGING: TERMINALS WOUND ON 24" REELS WITH PAPER INTERLEAF, 3000 PER REEL.
 5. THIS TERMINAL INTENDED FOR USE WITH TWO 20 AWG STRANDED WIRES, UL STYLE 1007 OR 1015.
 6. TERMINAL MATES TO .125/3.18 WIDE X .020/0.51 THICK FLAT BLADE TERMINALS. MATING TERMINAL: 43178 SERIES
 7. SEE PRODUCT SPECIFICATION FOR INSULATOR HOUSINGS USED WITH TERMINAL.



SECTION S-S
CONDUCTOR CRIMP

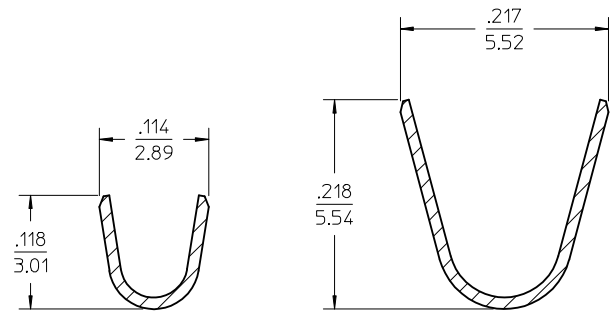
SECTION R-R
INSULATION CRIMP

CORRECT TOLERANCE EC NO: UCP2014-5466 DRAWN: DFOX 2014/07/09 CHKD: BANDESON 2014/07/09 APPR: F. SMITH 2014/07/17	QUALITY SYMBOLS ▽=0 ▽=0 ▽=0	GENERAL TOLERANCES (UNLESS SPECIFIED)		DIMENSION STYLE IN/MM		SCALE 10:1	DESIGN UNITS INCH	THIRD ANGLE PROJECTION	
		4 PLACES ± --- ± ---	3 PLACES ± --- ± .010	2 PLACES ± 0.25 ± .014	1 PLACE ± 0.35 ± ---	0 PLACE ± --- ± ---	DRAWN BY BWIRKUS		DATE 1-25-2010
		DRAFT WHERE APPLICABLE MUST REMAIN WITHIN DIMENSIONS		MATERIAL NO. 433745001		DOCUMENT NO. SD-43374-331		SHEET NO. 1 OF 1	
		ANGULAR ±1/2°		APPROVED BY APATEL		DATE 1-25-2010		TITLE TERMINAL, FEM, 2X20 AWG FOR .125/(3.18) WIDE TAB W/O TPA; UL1007, 1015	
A2	REV	THIS DRAWING CONTAINS INFORMATION THAT IS PROPRIETARY TO MOLEX INCORPORATED AND SHOULD NOT BE USED WITHOUT WRITTEN PERMISSION							



CARRIER STRIP PROGRESSION

- NOTES:
1. MATERIAL: BRASS
 2. FINISH: 20 MICRORINCH / (0.5 MICROMETER) MIN. PREPLATED HOT TIN DIP FINISH.
 3. PRODUCT SPECIFICATION: PS-43374-001.
 4. PACKAGING: TERMINALS WOUND ON 24" REELS WITH PAPER INTERLEAF, 3000 PER REEL.
 5. THIS TERMINAL INTENDED FOR USE WITH TWO 20 AWG STRANDED WIRES, UL STYLE 1007 OR 1015.
 6. TERMINAL MATES TO .125/3.18 WIDE X .020/0.51 THICK FLAT BLADE TERMINALS. MATING TERMINAL: 43178 SERIES
 7. SEE PRODUCT SPECIFICATION FOR INSULATOR HOUSINGS USED WITH TERMINAL.



SECTION S-S
CONDUCTOR CRIMP

SECTION R-R
INSULATION CRIMP

CORRECT TOLERANCE EC NO: UCP2014-5466 2014/07/09 DRWN:JDOX CHKD:ANDERSON 2014/07/09 APPR:FSMLTH 2014/07/17	QUALITY SYMBOLS ▽=0 ▽=0 ▽=0	GENERAL TOLERANCES (UNLESS SPECIFIED)		DIMENSION STYLE IN/MM	SCALE 10:1	DESIGN UNITS INCH	THIRD ANGLE PROJECTION	
		4 PLACES ± --- ± ---	3 PLACES ± --- ± .010	DRAWN BY BWIRKUS	DATE 1-25-2010	TITLE TERMINAL, FEM, 2X20 AWG FOR .125/(3.18) WIDE TAB W/O TPA; UL1007, 1015		
		2 PLACES ± 0.25 ± .014	1 PLACE ± 0.35 ± ---	CHECKED BY BWIRUS	DATE 1-25-2010			
		0 PLACE ± --- ± ---	ANGULAR ±1/2°	APPROVED BY APATEL	DATE 1-25-2010			
A2	REV	DRAFT WHERE APPLICABLE MUST REMAIN WITHIN DIMENSIONS		SIZE C	THIS DRAWING CONTAINS INFORMATION THAT IS PROPRIETARY TO MOLEX INCORPORATED AND SHOULD NOT BE USED WITHOUT WRITTEN PERMISSION			