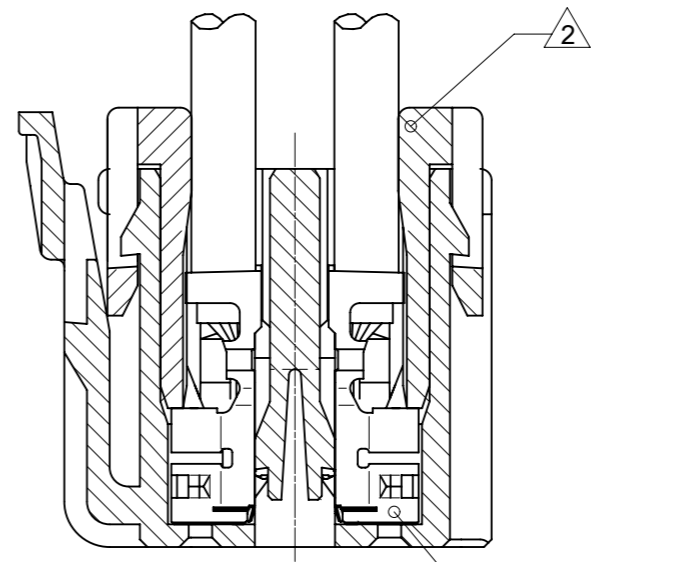


30 CIRCUIT

40 CIRCUIT

VIEW OF 30,40 CIRCUIT (2:1)



TERMINAL & RETAINER ASSEMBLY DRAWING SCALE 5:1

- NOTES:
1. APPLICABLE TERMINAL : SERIES 56134, 59370
 2. APPLICABLE RETAINER : SERIES 55767
 3. MATE WITH : SERIES 55763
 4. APPLY FOR (CIRCUIT/2)= EVEN
 5. MATERIAL NO.

51242-**0*

| | | | |
|--------------|-------|----------------|---|
| CIRCUIT SIZE | COLOR | NATURAL(WHITE) | 0 |
| | | RED | 2 |

6. MATERIAL : 66 NYLON, UL94V-0

| | | | | | |
|------|--------------|------|----|------|----|
| 40 | 51242-400* | 43.8 | 38 | 40.9 | 25 |
| 30 | 51242-300* | 33.8 | 28 | 30.9 | 15 |
| 20 | 51242-200* | 23.8 | 18 | 20.9 | 13 |
| CKT. | MATERIAL NO. | A | B | C | D |

THIS DRAWING CONTAINS INFORMATION THAT IS PROPRIETARY TO MOLEX ELECTRONIC TECHNOLOGIES, LLC AND SHOULD NOT BE USED WITHOUT WRITTEN PERMISSION

| | | | | | |
|--|---------|-----------------------------|--|----------------|--------------|
| DIMENSION UNITS | SCALE | CURRENT REV DESC: | | | |
| mm | 4:1 | | | | |
| GENERAL TOLERANCES (UNLESS SPECIFIED) | | | | | |
| ANGULAR TOL | ± 3.0 ° | | | | |
| 4 PLACES | ± 0.0 | EC NO: 726698 | | | |
| 3 PLACES | ± 0.0 | DRWN: HKOBAYASHI 2022/10/11 | | | |
| 2 PLACES | ± 0.2 | CHK'D: AIDA 2022/11/04 | | | |
| 1 PLACE | ± 0.2 | APPR: SAKIYAMA 2022/11/04 | | | |
| 0 PLACES | ± 0.2 | INITIAL REVISION: | | | |
| DRAFT WHERE APPLICABLE MUST REMAIN WITHIN DIMENSIONS | | THIRD ANGLE PROJECTION | | DRAWING | SERIES |
| | | A3-SIZE | | 51242 | |
| | | MATERIAL NUMBER | | CUSTOMER | SHEET NUMBER |
| | | SD-51242-002 | | GENERAL MARKET | 1 OF 1 |