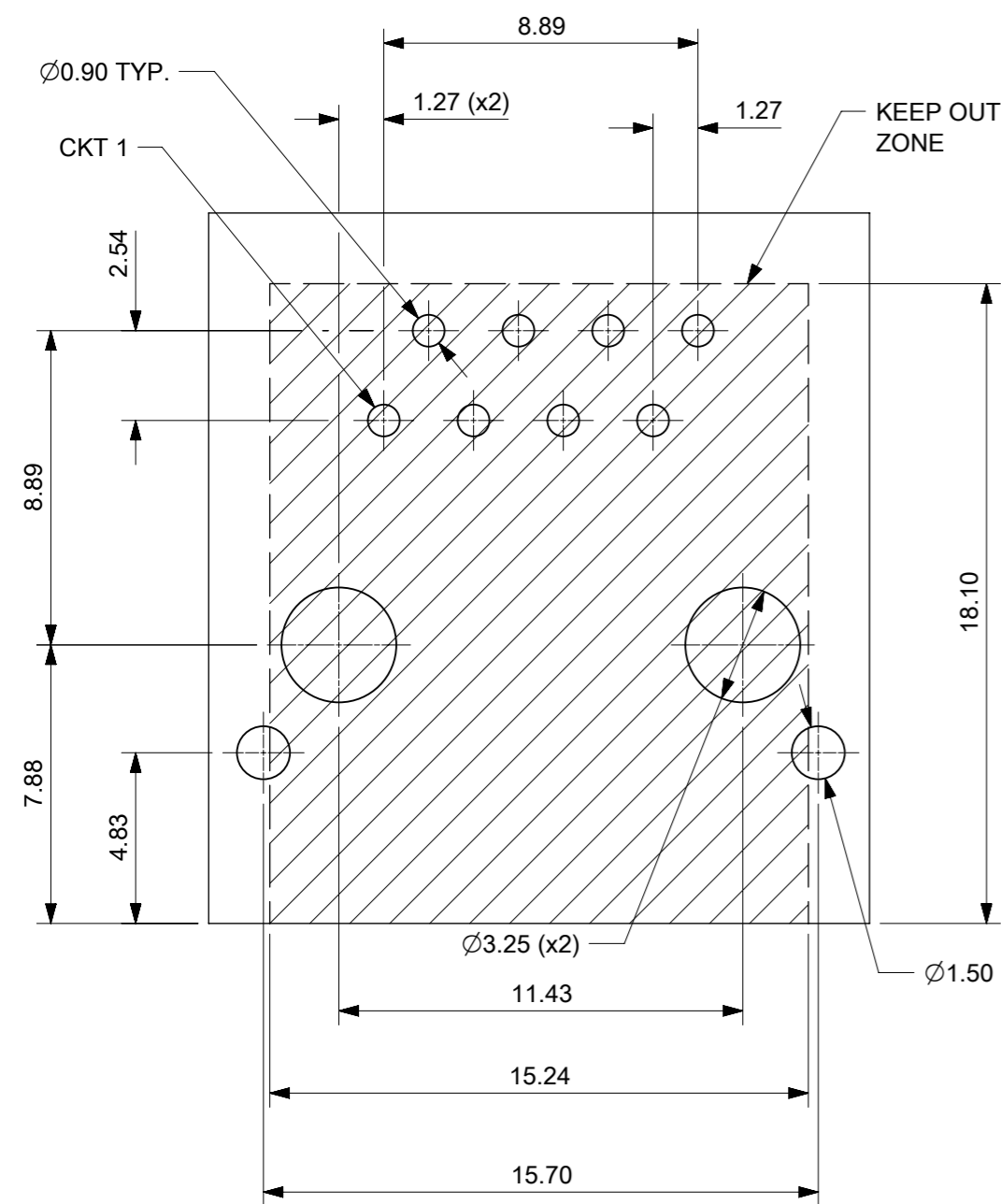


NOTES:

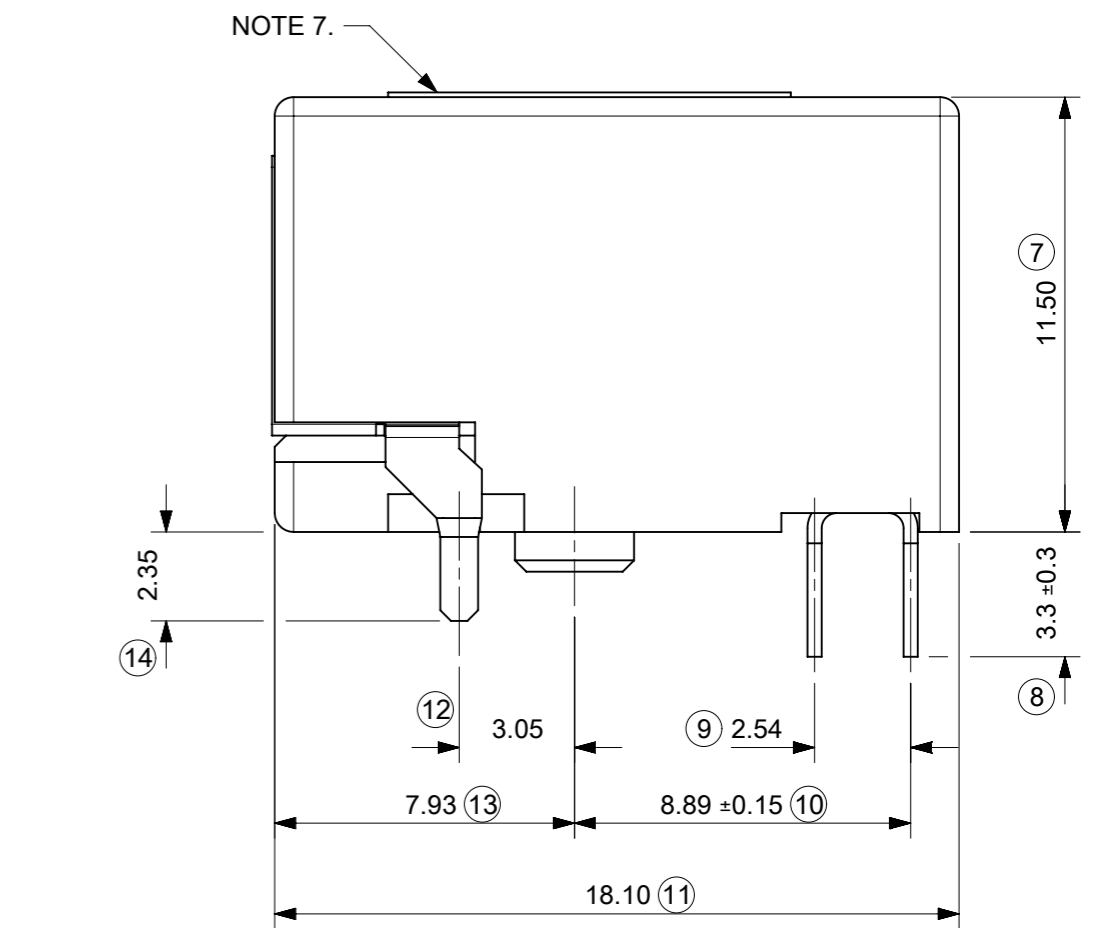
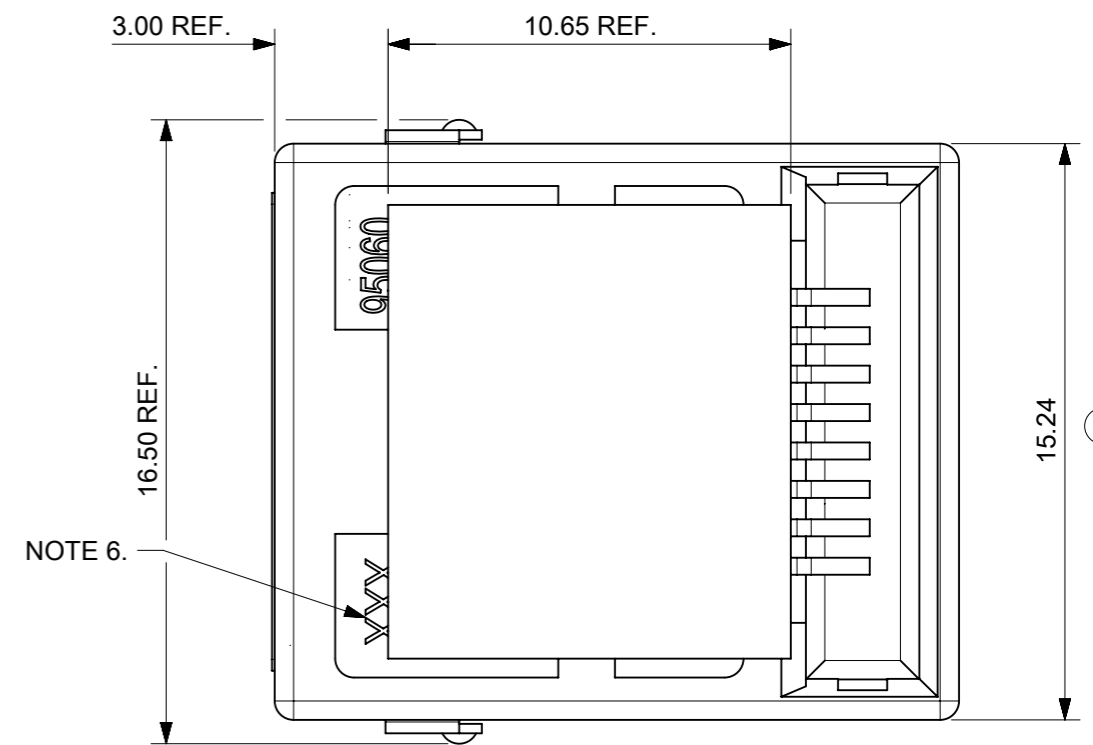
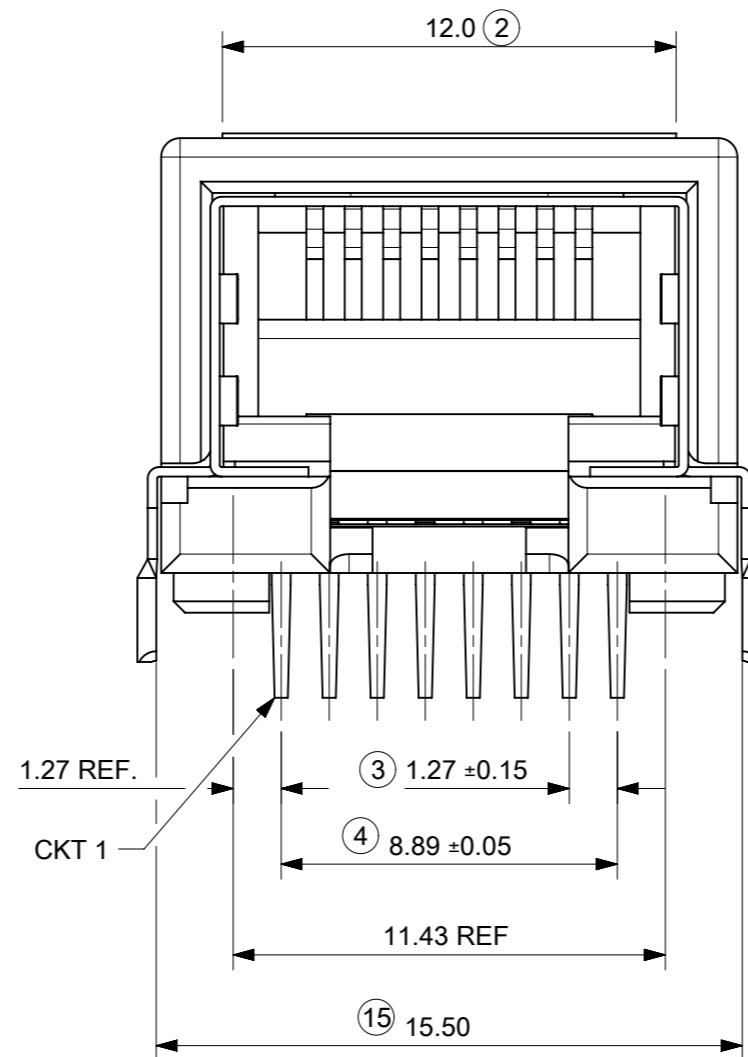
- MATERIAL :  
HOUSING : LCP GLASS FILLED UL 94-V0, COLOUR: BLACK  
TERMINAL: COPPER ALLOY PLATED WITH:  
BASE FINISH: NICKEL  
CONTACT SURFACE FINISH:  
GOLD,  
OR  
GOLD FLASH OVER PALLADIUM NICKEL.  
EXCEEDS PRODUCT REQUIREMENTS BASED ON PS-95540-002  
SHIELD: COPPER ALLOY PLATED WITH TIN.
- P.C. BOARD THICKNESS: 1.57±0.15
- JACK FOR MATING WITH IEC 60603-7 AND TIA-1096-A PLUGS
- PRODUCT SPECIFICATION: PS-95540-002
- PACKAGING SPECIFICATION: PK-95540-001
- MANUFACTURING I.D. CAN BE EITHER MXI, MG, MXF OR MXCH .
- KAPTON ADHESIVE FOIL: 0.125 THICK  
LAST INSPECTION NO.: 15  
REMOVED INSPECTION NO.: 5, 6

MATERIAL NUMBER

95540-7886



RECOMMENDED P.C. BOARD LAYOUT  
VIEW FROM COMPONENT SIDE  
ALL DIMENSIONS REF DIMENSIONS



|   |  |                           |  |   |  |                 |  |                            |  |          |  |              |  |
|---|--|---------------------------|--|---|--|-----------------|--|----------------------------|--|----------|--|--------------|--|
| THIS DRAWING CONTAINS INFORMATION THAT IS PROPRIETARY TO MOLEX ELECTRONIC TECHNOLOGIES, LLC AND SHOULD NOT BE USED WITHOUT WRITTEN PERMISSION |  |                           |  |   |  |                 |  |                            |  |          |  |              |  |
| DIMENSION UNITS   |  | SCALE                     |  | CURRENT REV DESC: REMASTERED USING 3D MODELS  |  |                 |  |                            |  |          |  |              |  |
| mm  |  | 5:1                       |  | <p style="text-align: center;"><b>molex</b></p> <p style="text-align: center;">RIGHT ANGLE LOW PROFILE SHIELDED PC JACK 8CKT T/HOLE</p> <p style="text-align: center;">PRODUCT CUSTOMER DRAWING</p> |  |                 |  |                            |  |          |  |              |  |
| GENERAL TOLERANCES (UNLESS SPECIFIED)   |  |                           |  |   |  |                 |  |                            |  |          |  |              |  |
| ANGULAR TOL ± 0.5°  |  |                           |  |   |  |                 |  |                            |  |          |  |              |  |
| 4 PLACES ±  |  | EC NO: 686743             |  |   |  |                 |  |                            |  |          |  |              |  |
| 3 PLACES ±  |  | DRWN: AKUMAR19 2021/08/13 |  |   |  |                 |  |                            |  |          |  |              |  |
| 2 PLACES ± 0.1  |  | CHK'D: KLANG 2022/01/06   |  |   |  |                 |  |                            |  |          |  |              |  |
| 1 PLACE ± 0.15  |  | APPR: KLANG 2022/01/06    |  | INITIAL REVISION:   |  | DOCUMENT NUMBER |  | DOC TYPE DOC PART REVISION |  |          |  |              |  |
| 0 PLACES ±  |  | DRWN: DBYRNES 2009/08/20  |  | SD-95540-002  |  | PSD             |  | 001 D2                     |  |          |  |              |  |
| DRAFT WHERE APPLICABLE MUST REMAIN WITHIN DIMENSIONS  |  | THIRD ANGLE PROJECTION    |  | DRAWING   |  | SERIES          |  | MATERIAL NUMBER            |  | CUSTOMER |  | SHEET NUMBER |  |
|   |  | A3-SIZE                   |  | 95540   |  | SEE TABLE       |  | GENERAL MARKET             |  | 1 OF 1   |  |              |  |