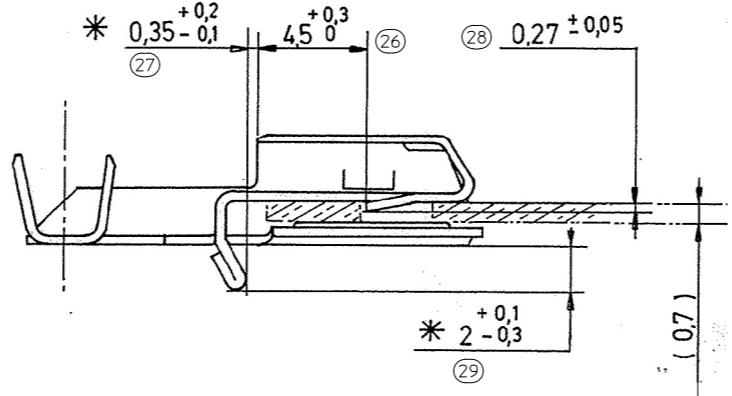
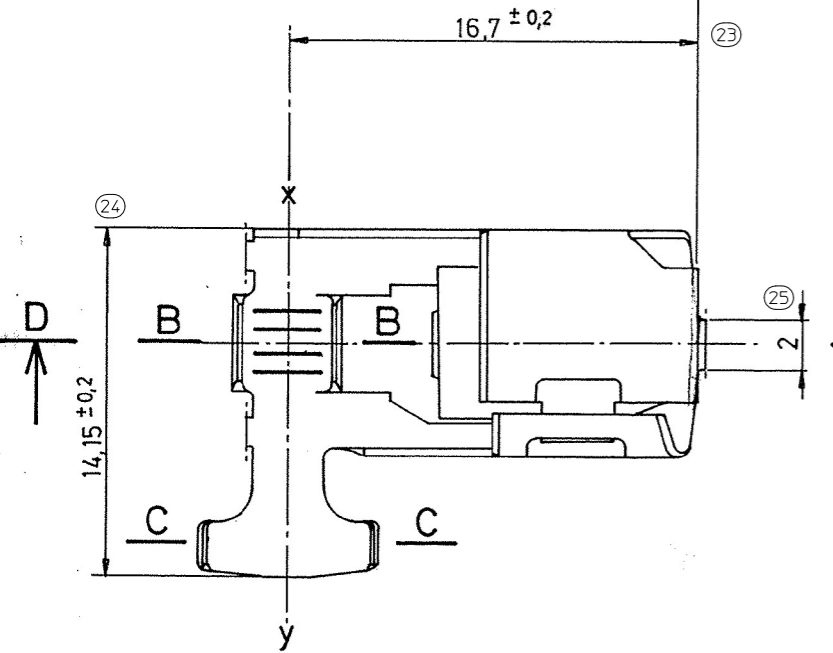
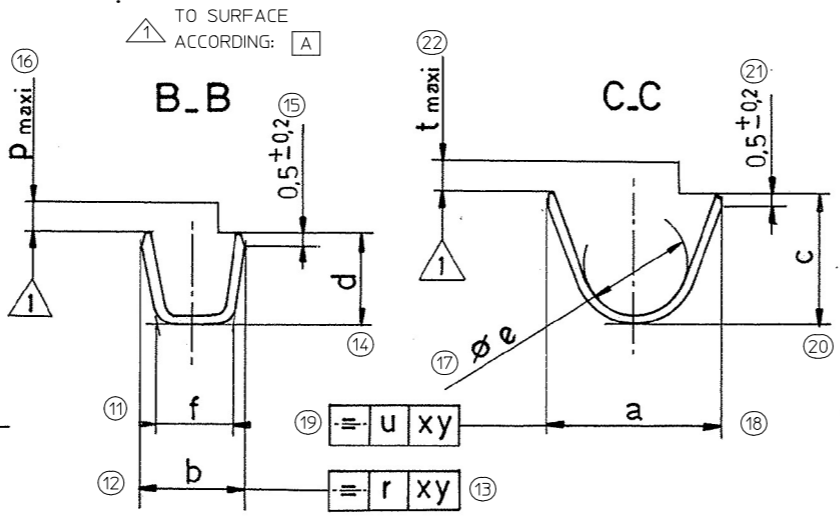
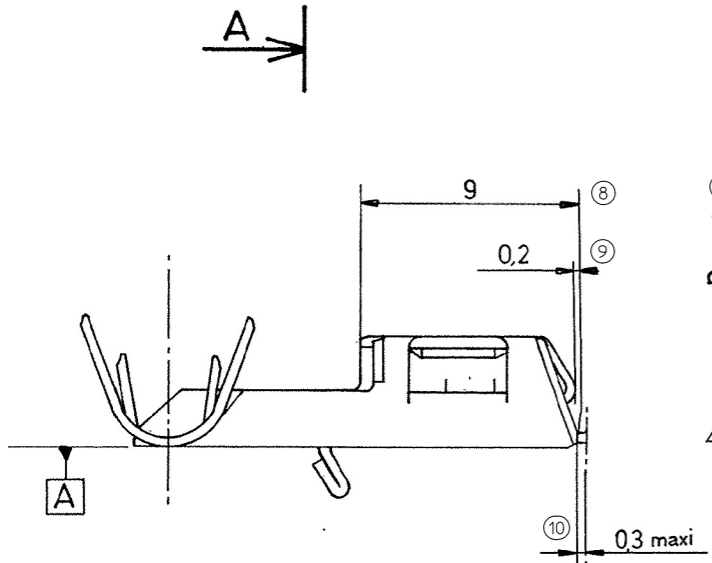
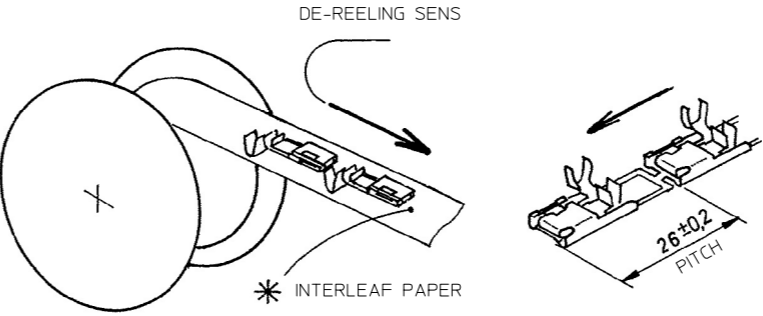
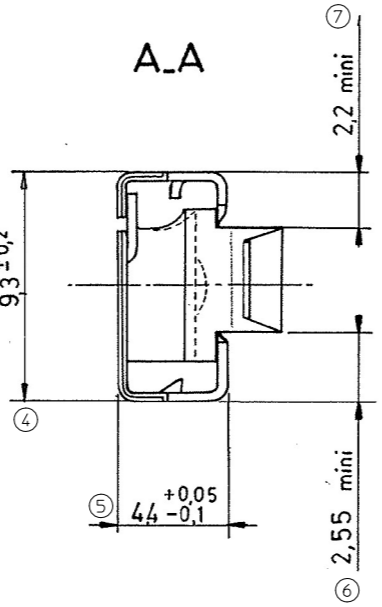
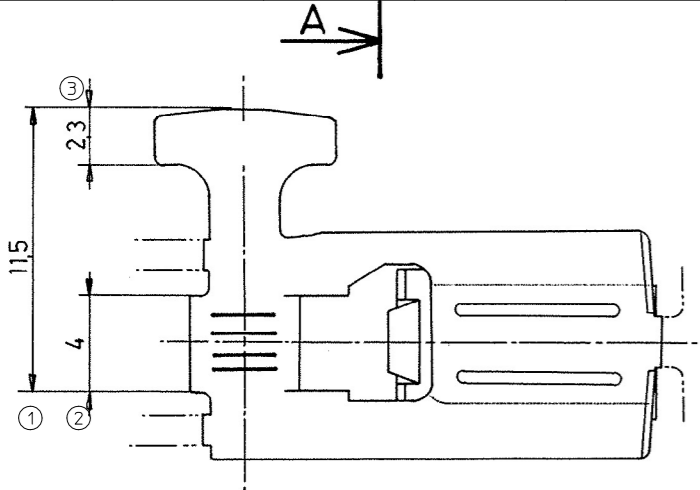


MODIFICATIONS

REV.	DESCRIPTIONS	NAME	DATE
A	-PRINT REDRAWN FROM 56 730 ... ON OSDM, AND FIRST RELEASE.	GD	2012/01/06



* DIMENSIONS TO CHECK WITH THE TAB FITTED.

TAB WITH A HOLE OF 7.7 x 0.7

REV.	FIRST	LAST	DELETED	SUPERSEDED
A	1	29		

INSPECTION NUMBERS

NOTE: CRIMPING SPECIFICATION PER AS: AS-98894-001

P/N°	MATERIAL	THICKNESS	PLATING	WIRE SECTION (MM2)	DIMENSIONS									
					a	b	c	d	e	f	u	r	t	p
0988941022	Cu Zn 15	0.40MM	PRE-TINNED	1 TO 3 INSULATION TAPE REDUCED 0.6 TO 1.5	7.3 +0.3	4.4 +0.3	5.2 +0.3	3.7 +0.3	Ø5 +0.3	3.1 ±0.2	0.30	0.30	0.30	0.30
0988941011	Cu Zn 15	0.40MM	PRE-TINNED	INSULATION TAPE REDUCED	4.5 +0.3	3.5 +0.3	4 +0.3	3 +0.3	Ø2.3 +0.3	2.2 ±0.2	0.30	0.30	0.30	0.30

REDRAWN EC NO: G2012-0090 DRWNG: GDESBRUERES 2012/01/06 CHKD: JDUCLLOS 2012/01/06 APPR: OPLESSIS 2012/01/06	DESCRIPTION	QUALITY SYMBOLS	GENERAL TOLERANCES (UNLESS SPECIFIED)	DIMENSION STYLE MM ONLY	SCALE 1:1	DESIGN UNITS METRIC	FIRST ANGLE PROJECTION
	REV. A	▽=0 ▽=0 ▽=0	4 PLACES ± --- ± --- 3 PLACES ± --- ± --- 2 PLACES ± --- ± --- 1 PLACE ± 0.1 ± ---	mm INCH	DRAWN BY GDESBRUERES	DATE 2012/01/06	TITLE CSP 8 FLAG RCPT TERM.
			ANGULAR ± 2°		CHECKED BY JDUCLLOS	DATE 2012/01/06	
			DRAFT WHERE APPLICABLE MUST REMAIN WITHIN DIMENSIONS		APPROVED BY	DATE	
					MATERIAL NO.		DOCUMENT NO. SD-98894-001

THIS DRAWING CONTAINS INFORMATION THAT IS PROPRIETARY TO MOLEX INCORPORATED AND SHOULD NOT BE USED WITHOUT WRITTEN PERMISSION