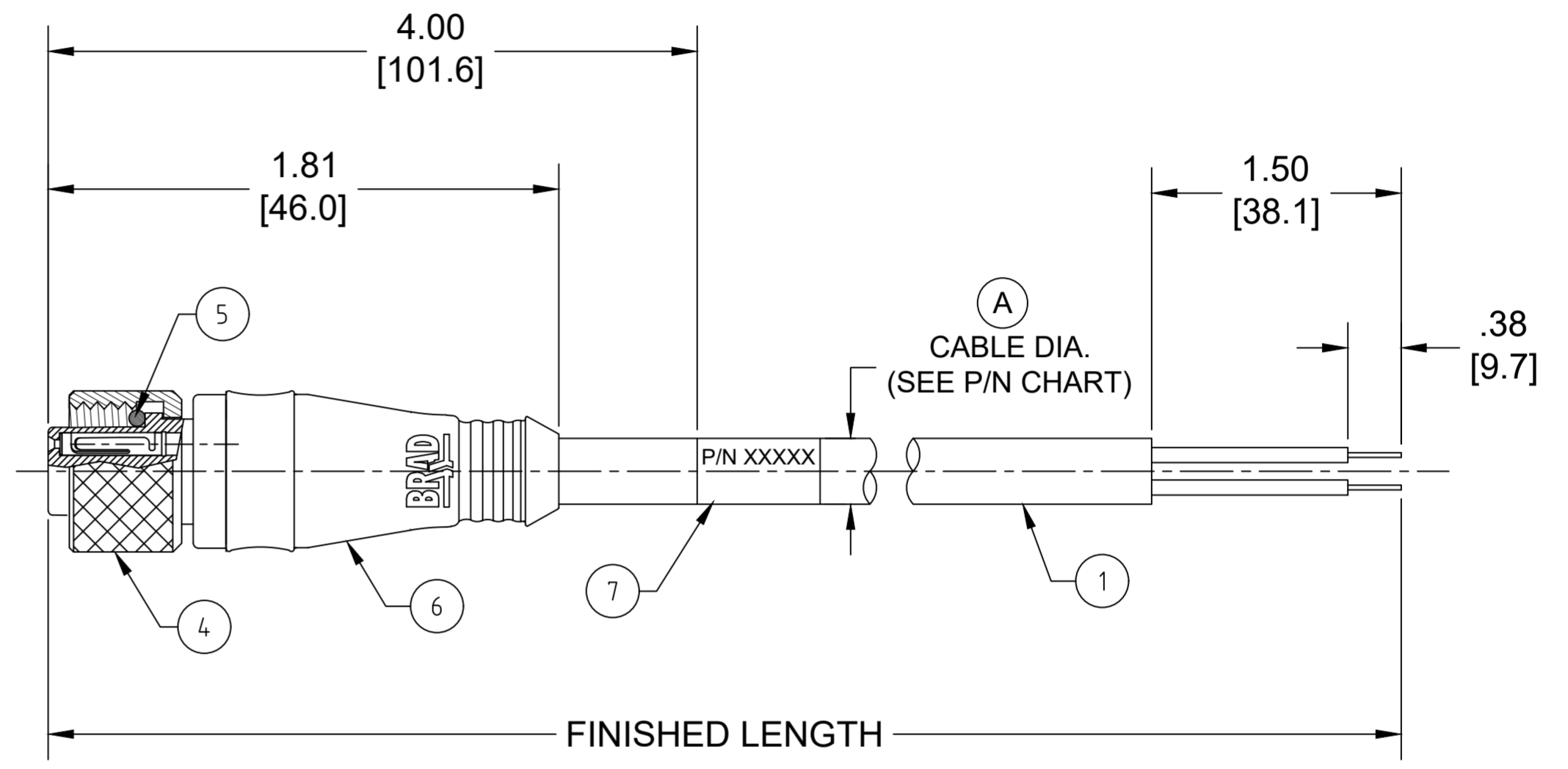
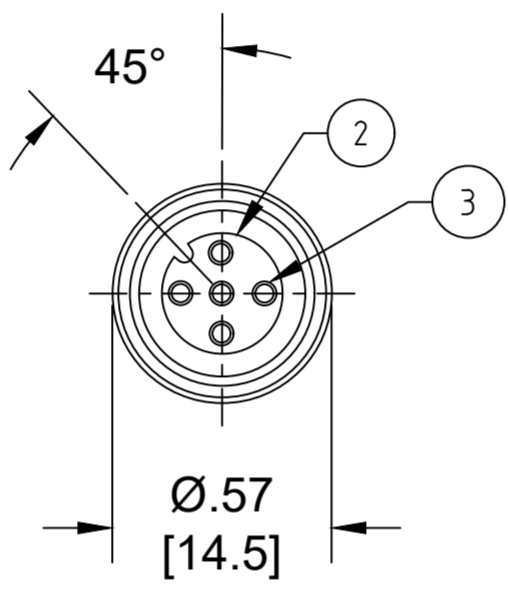


PART NO	ENGINEERING NO.	FINISHED LENGTH	POLES	CABLE DIA.
1200650252	804000A09M010	1M [3FT 3 IN]	4	.21 [5.3]
1200652496	804000A09M500	50M [164FT]		
1200650470	805000A09M010	10M [32FT 10 IN]	5	.22 [5.6]
1200650498	805000A09M300	30M [98FT 5 IN]		

- NOTES:**
- MATERIAL: AS NOTED
  - FINISH: AS NOTED
  - ELECTRICAL:  
VOLTAGE: 250V  
CURRENT: 4A
  - TEMP RATING: -20°TO +105°C
  - PROTECTION: IP67 (WHEN MATED)
  - COUPLING THREAD: M12X1
  - UL RECOGNIZED FILE: E152210  
CSA CERTIFIED FILE: LR6837 (A)
  - ALL DIMENSIONS ARE FOR REFERENCE  
UNLESS TOLERANCED OR NOTED OTHERWISE



ITEM	DESCRIPTION	MATERIAL	FINISH
7	WRAP LABEL	VINYL	BLACK/YELLOW
6	OVERMOLD	PUR	YELLOW
5	O-RING	VITON	RED
4	COUPLING NUT	BRASS	NICKEL PLATED
3	CONTACT SOCKET	COPPER ALLOY	GOLD OVER NICKEL
2	FEMALE INSERT	PUR	BLACK
1	#22/3-5 AWG CABLE	PVC	YELLOW

**PART NUMBER LEGEND**

**804000A09M003**

POLES (4 & 5)

FINISHED LENGTH  
M005 = 0.5 METER  
M010 = 1 METER  
M100 = 10 METER

(A)

**CABLE LENGTH TOLERANCES**

<.3M [1FT]: +19mm-0 [+ .75in-0]

.3 - .9M [1 - 3FT]: +44.5mm-0 [+1.75in-0]

.9 - 1.8M [3 - 6FT]: +55.6mm-0 [+2.19in-0]

1.8 - 3.7M [6 - 12FT]: +88.9mm-0 [+3.50in-0]

3.7 - 7.3M [12 - 24FT]: +165.1mm-0 [+6.50in-0]

7.3-14.6M [24 - 48FT]: +317.5mm-0 [+12.50in-0]

14.6 - 30.5M [48-100FT]: +622.3mm-0 [+24.50in-0]

OVER 30M [100FT] +2% OF FINISHED LENGTH

<p>FUNCTIONAL SYMBOLS</p> <p>FA=0</p> <p>FC=0</p> <p>FP=0</p> <p>DIVISIONAL SYMBOLS</p>	<p>THIS DRAWING CONTAINS INFORMATION THAT IS PROPRIETARY TO MOLEX ELECTRONIC TECHNOLOGIES, LLC AND SHOULD NOT BE USED WITHOUT WRITTEN PERMISSION</p>	<p>CURRENT REV DESC: REMOVED 3-POLE DETAILS. ITEM #7 WAS MYLAR. ADDED CABLE DIA, CSA NUMBER &amp; TOL CHART. MODIFIED MATERIAL NUMBER CHART.</p>	<p><b>molex</b></p>																				
	<p>DIMENSION UNITS INCH/MM SCALE NTS</p>	<p>GENERAL TOLERANCES (UNLESS SPECIFIED)</p> <table border="1"> <tr> <th></th> <th>mm</th> <th>INCH</th> </tr> <tr> <td>4 PLACES</td> <td>±----</td> <td>±----</td> </tr> <tr> <td>3 PLACES</td> <td>±----</td> <td>±----</td> </tr> <tr> <td>2 PLACES</td> <td>±----</td> <td>±----</td> </tr> <tr> <td>1 PLACE</td> <td>±----</td> <td>±----</td> </tr> <tr> <td>0 PLACES</td> <td>±----</td> <td>±----</td> </tr> </table>		mm	INCH	4 PLACES	±----	±----	3 PLACES	±----	±----	2 PLACES	±----	±----	1 PLACE	±----	±----	0 PLACES	±----	±----	<p>EC NO: 698297</p> <p>DRWN: ABENJAMINLW 2021/09/29</p> <p>CHK'D: RSTONE 2022/03/16</p> <p>APPR: BWOODMAN 2022/03/26</p>	<p>MICRO-CHANGE CORDSET, M12, 4-5 POLE, FEMALE, STRAIGHT, SINGLE KEY, #22 AWG</p>	
		mm	INCH																				
	4 PLACES	±----	±----																				
3 PLACES	±----	±----																					
2 PLACES	±----	±----																					
1 PLACE	±----	±----																					
0 PLACES	±----	±----																					
<p>ANGULAR TOL ± ---- °</p>	<p>THIRD ANGLE PROJECTION</p>	<p>INITIAL REVISION:</p> <p>DRWN: GGUSTAFS 2013/11/26</p> <p>APPR: BWOODMAN 2013/12/06</p>	<p>PRODUCT CUSTOMER DRAWING</p>																				
<p>DRAFT WHERE APPLICABLE MUST REMAIN WITHIN DIMENSIONS</p>	<p>DRAWING C-SIZE</p>	<p>SERIES 120065</p>	<p>DOCUMENT NUMBER SD-120065-026</p>	<p>DOC TYPE/DOC PART REVISION PSD 001 A</p>																			