

ELECTRICAL DATA:

VOLTAGE RATING: 5P - 60V,
8P - 30V
AMPERAGE RATING: 5P - 4A
8P - 2A

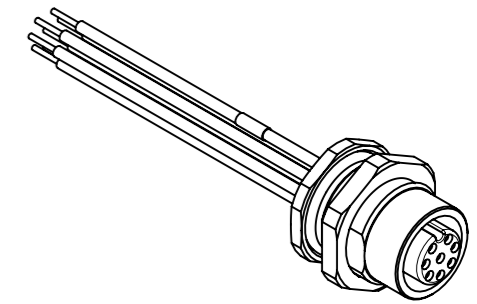
INSULATION RESISTANCE: 10⁸ Ω MIN.
MATING CYCLES: MIN. 100

ENVIRONMENTAL:
PROTECTION: IP67
OPERATING TEMPERATURE: -25°C TO +85°C

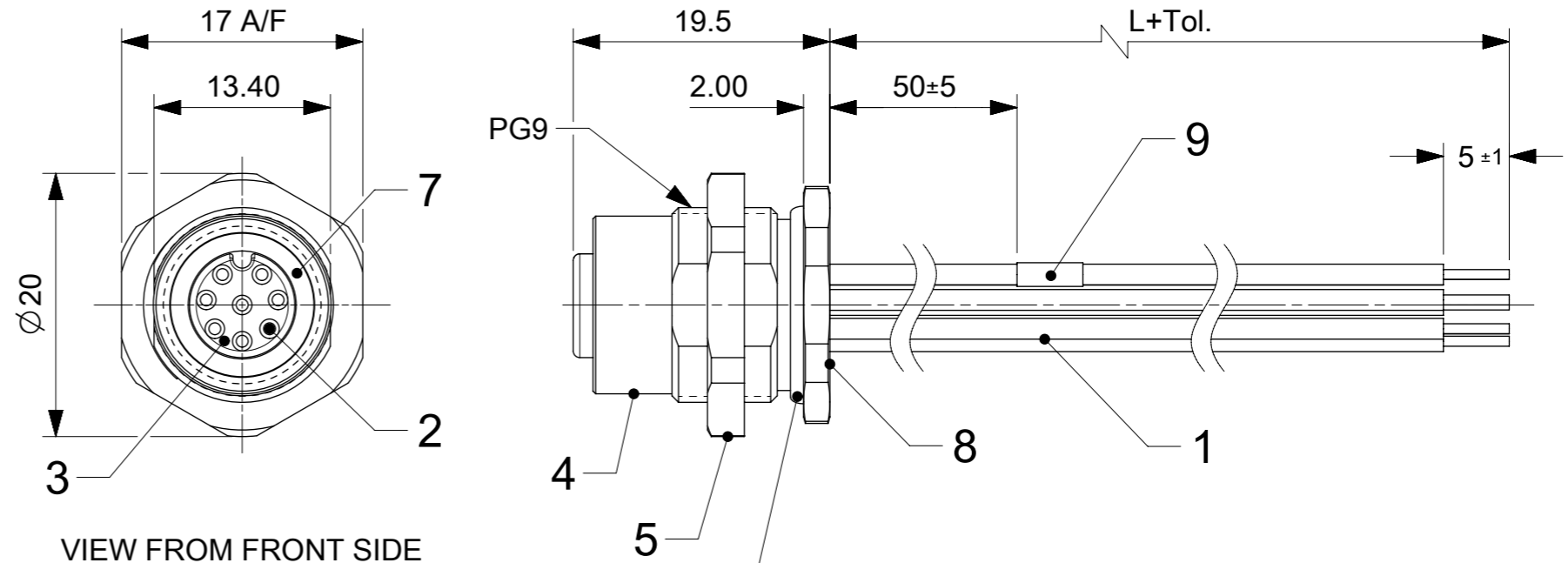
PART NO MATRIX

8 R X J 4 0 X X X C X X X X

8R = MICRO RECEPTACLE
POLES:
5 = 5 POLES
8 = 8 POLES
HEADER:
FEMALE CONTACT
FEMALE THREAD M12
PG9 MOUNTING THREAD
CABLE TYPE
E02=0.25mm PVC
E03=0.34mm PVC
UNIT:
C=CENTIMETER
LENGTH EXAMPLE:
300 = 30cm(300mm)
200 = 20cm(200mm)
800 = 80cm(800mm)
SHELL MATERIAL
3=BRASS
BRASS-BNP



SCALE 1:1



CUSTOMER PRODUCT APPROVAL
APPROVED BY: _____
DATE: _____
MUST BE SIGNED AND RETURNED BEFORE PRODUCTION WILL BEGIN

M12 FE 8P

VIEW FROM FRONT SIDE

PIN	WIRE
1	WHITE
2	BROWN
3	GREEN
4	YELLOW
5	GREY
6	PINK
7	BLUE
8	RED

M12 FE 5P

VIEW FROM FRONT SIDE

PIN	WIRE
1	BROWN
2	WHITE
3	BLUE
4	BLACK
5	GREY

BOM

ITEM	QTY.	DESCRIPTION	MATERIAL	FINISH/COLOR
1	-	WIRES	PVC	SEE INSERT VIEW
2	5/8	CONTACT FE	BRASS	GOLD OVER Ni-PLATED
3	1	INSERT M12 FE	PUR	BLACK
4	1	M12 SHELL PANEL MT	BRASS	NICKEL PLATED
5	1	LOCKNUT	BRASS	NICKEL PLATED
6	1	O-Ring	NBR	BLACK
7	1	GASKET	FPM	RED
8	-	POTTING MATERIAL	EPOXY	TRANSPARENT
9	1	LABEL	VINYL	YELLOW

PART LIST

MOLEX P/N	ENG No.	L+Tol.(mm)
1200110349	8R8J40E02C3003	300±10
1200700233	8R5J40E03C3003	300±10
1200705009	8R8J40E02C300	300±10
1200705179	8R8J40E02C200	200±10
1200708065	8R5J40E03C1503	150±10
1200708154	8R8J40E02C5003	500±10
1200708186	8R8J40E02C800	800±10

THIS DRAWING CONTAINS INFORMATION THAT IS PROPRIETARY TO MOLEX ELECTRONIC TECHNOLOGIES, LLC AND SHOULD NOT BE USED WITHOUT WRITTEN PERMISSION

DIMENSION UNITS: mm SCALE: 2:1

GENERAL TOLERANCES (UNLESS SPECIFIED):
ANGULAR TOL ± 1.0°
4 PLACES ±
3 PLACES ±
2 PLACES ± 0.05
1 PLACE ± 0.3
0 PLACES ± 0.5

DRAFT WHERE APPLICABLE MUST REMAIN WITHIN DIMENSIONS

THIRD ANGLE PROJECTION

DRAWING: A3-SIZE SERIES: 120070 MATERIAL NUMBER: SEE TABLE CUSTOMER: GENERAL MARKET SHEET NUMBER: 1 OF 1

EC NO: 662770
DRWN: SUGEEB 2021/02/26
CHK'D: GGA 2021/06/02
APPR: GGA 2021/06/02

INITIAL REVISION:
DRWN: SSM 2020/05/12
APPR: RSILLER 2020/05/29

DOCUMENT NUMBER: 1200708154 DOC TYPE: PSD DOC PART: 000 REVISION: A1

molex
REC M12 XP AC FE STR PVC PG9 SE XM UNSH
PRODUCT CUSTOMER DRAWING