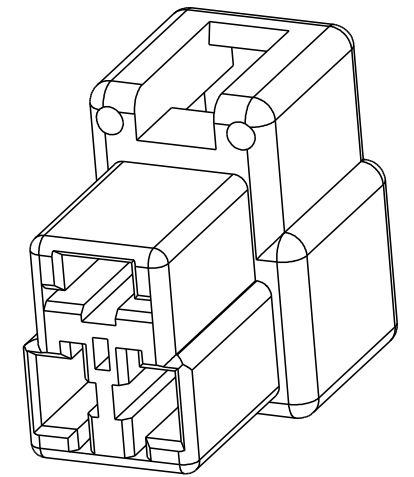
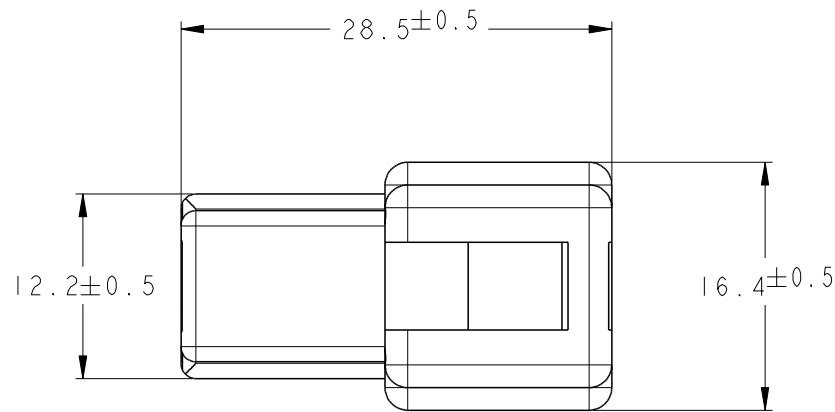
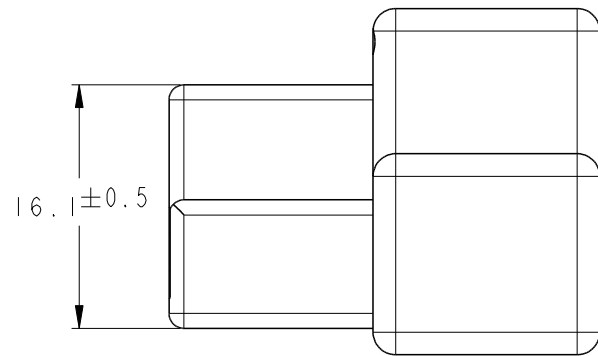
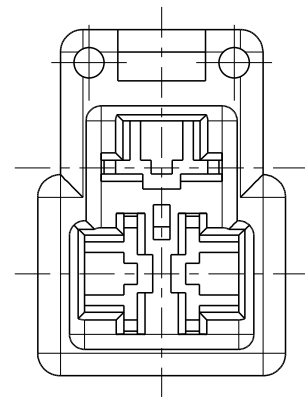


REVISIONS					
P	LTR	DESCRIPTION	DATE	DWN	APVD
	A	RELEASED	25JUL2019	BH	E.W

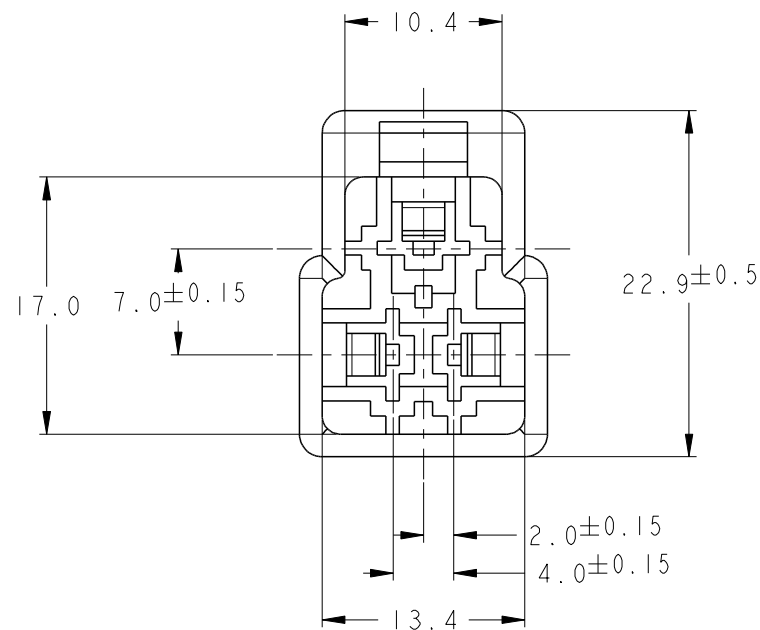


SCALE 2:1

1. NOTES.  
 1. MATING HOUSING : 174200  
 2. APPLICABLE TERMINALS: 170340, 170341, 170349



SCALE 2:1



OBSOLETE	BLUE	250 FASTON CAP 3P HOUSING	174199-5
OBSOLETE	BLACK	250 FASTON CAP 3P HOUSING	174199-2
	NATURAL	250 FASTON CAP 3P HOUSING	174199-1
	COLOR	NAME	PART NUMBER

THIS DRAWING IS A CONTROLLED DOCUMENT.		DWN BH CHO	25JUL2019		
DIMENSIONS: mm		CHK -	-		
TOLERANCES UNLESS OTHERWISE SPECIFIED:		APVD ERIC WANG	-	NAME 250 FASTON CAP 3P	
0 PLC ±-		PRODUCT SPEC	108-5147-2	DRAWING NO	
1 PLC ±0.1		APPLICATION SPEC	-	SIZE	RESTRICTED TO
2 PLC ±0.01		WEIGHT	-	CAGE CODE	A300779
3 PLC ±0.001		CUSTOMER DRAWING		DRAWING NO	C=174199
4 PLC ±0.0001		SCALE	1:1	SHEET	OF
ANGLES ±-		REV	A		
MATERIAL PA66	FINISH -				