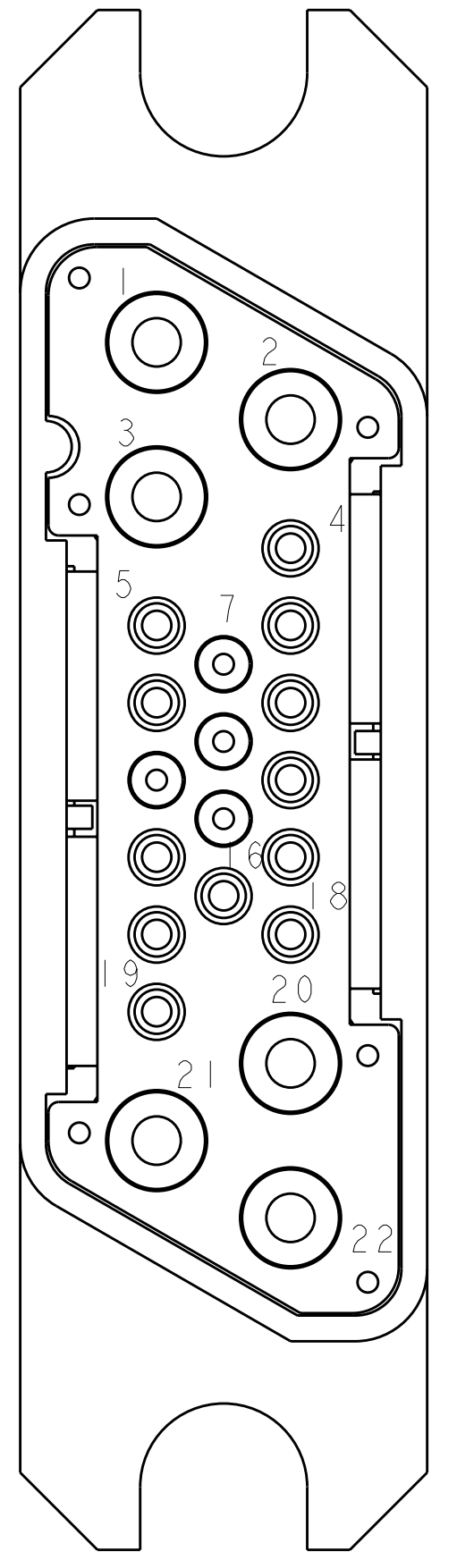
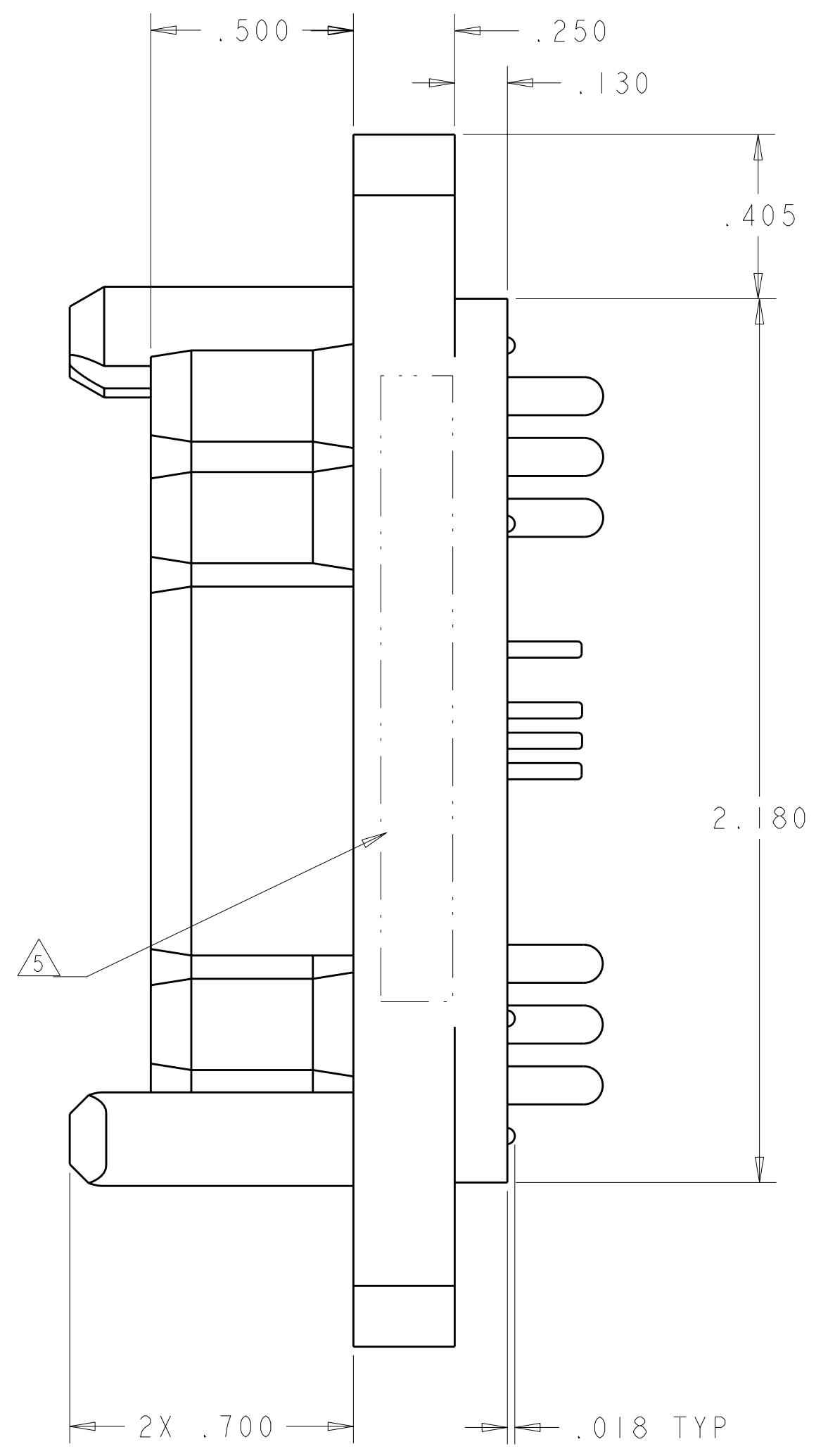
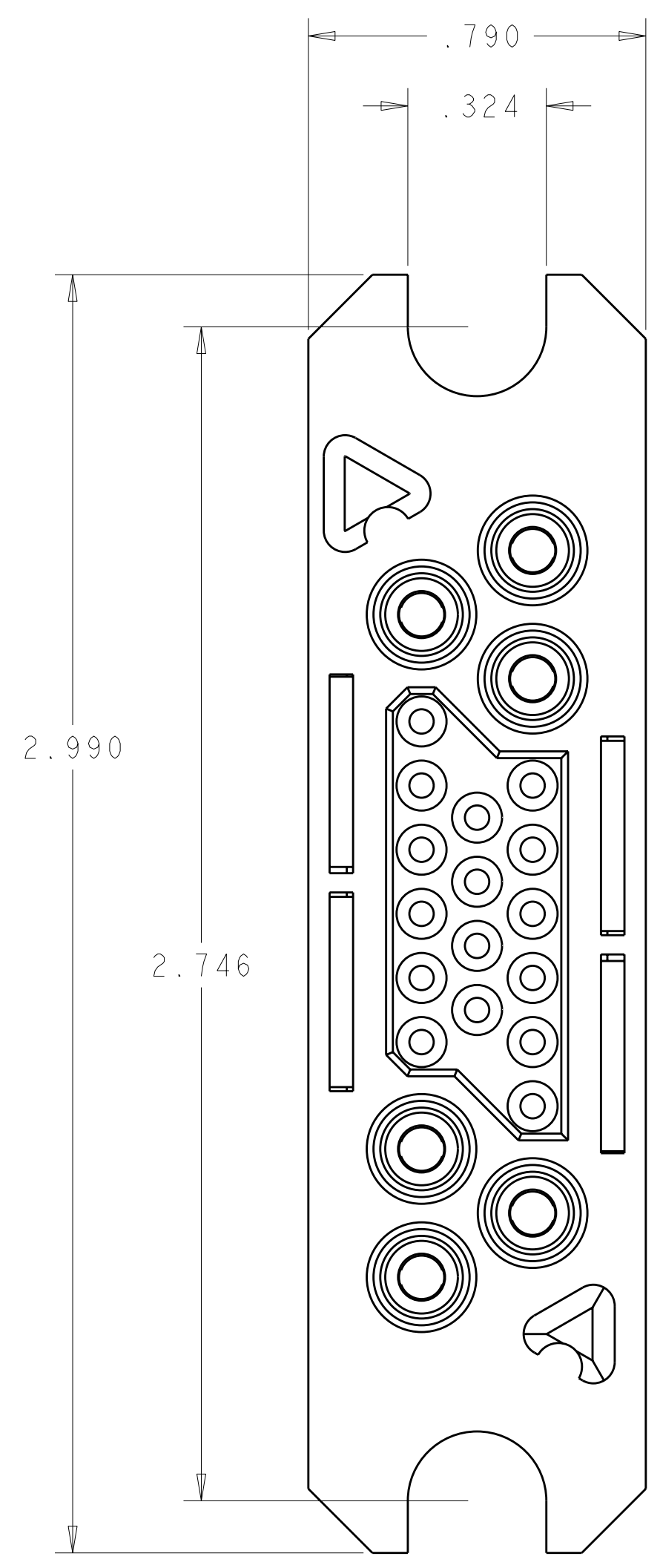
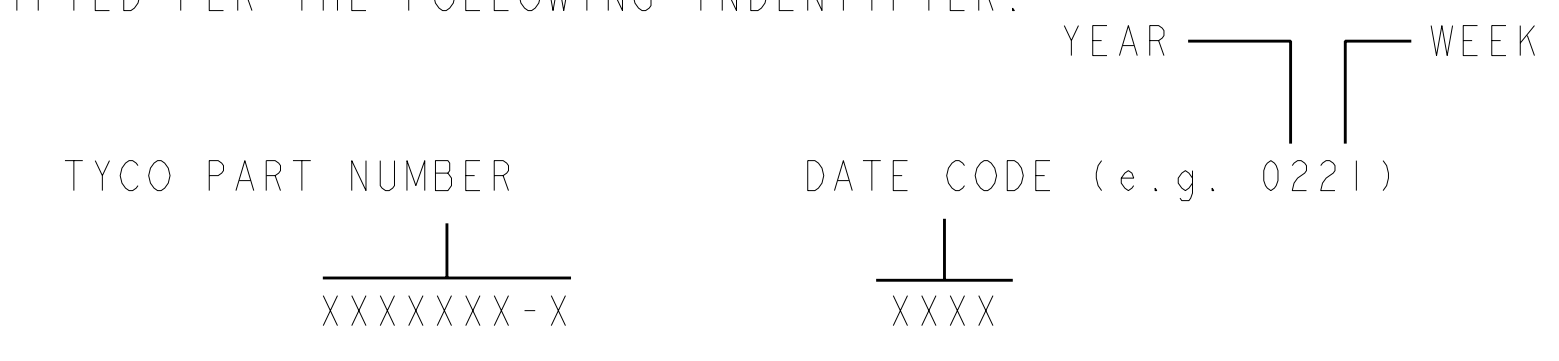


LOC	DIST	REV	DATE	DWN	APVD
GP	00	B	28NOV2006	GIP	DO
		REVISIONS			
		DESCRIPTION	DATE	DWN	APVD
		REVISED PER ECO-06-026901	28NOV2006	GIP	DO

- PART NUMBER CHANGES AND OR DESIGN CHANGES AFFECTING THE INTERCHANGEABILITY REQUIRE PRIOR TYCO APPROVAL AND AUTHORIZATION BY REVISION TO THIS DRAWING.
  - MATERIAL:  
 INSULATOR: THERMOPLASTIC: GLASS REINFORCED, UL 94V-0  
 FLAMMABILITY RATED, COLOR: BLACK  
 CONTACT: BRASS ROD ALLOY  
 CROWN BAND: BERYLLIUM COPPER  
 RETENTION CLIP: BERYLLIUM COPPER
  - FINISH:  
 CONTACTS SIZE #12: GOLD .000010 MIN THK OVER NICKEL .000040 MIN THK.  
 CONTACTS: SIZE #20: GOLD .000010 MIN THK OVER NICKEL .000040 MIN THK.  
 CROWN BAND: GOLD IN CONTACT AREA: .000030 MIN THK OVER NICKEL .000040 M9N THK.
- 4 PCB TAIL CONTACTS ARE INSERTABLE/ NON REMOVABLE  
 5 ITEMS PROVIDED TO THIS SPECIFICATION TO BE PERMANENTLY IDENTIFIED PER THE FOLLOWING IDENTIFIER:

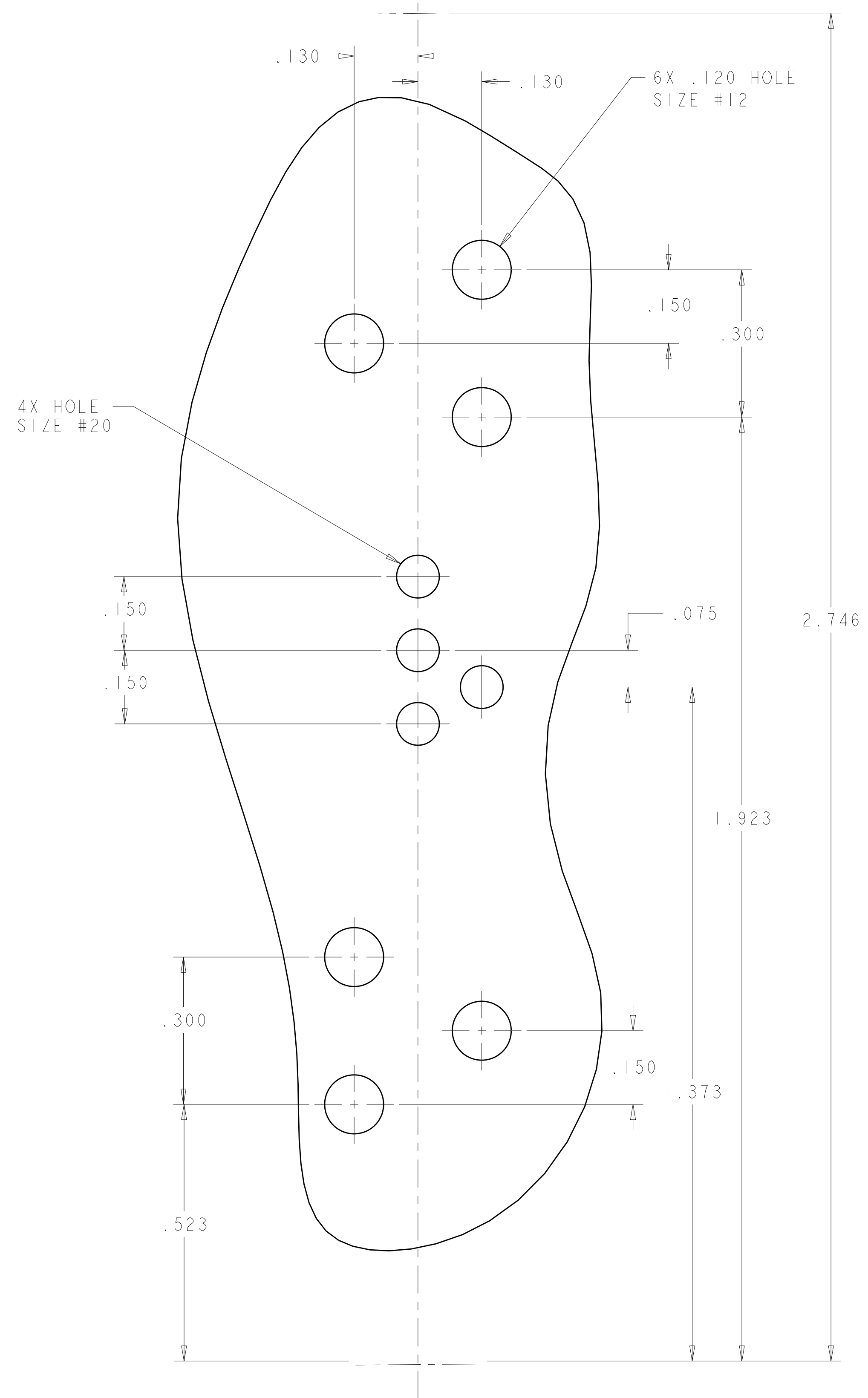


SOCKET CONTACT (C)  
 SIZE #12  
 POSN. #1 THRU 3  
  
 SOCKET CONTACT (B)  
 SIZE #20  
 POSN. #7,10,11 & 13  
  
 SOCKET CONTACT (C)  
 SIZE #12  
 POSN. #20 THRU 22

REAR VIEW

DIMENSIONS: INCHES TOLERANCES UNLESS OTHERWISE SPECIFIED: 9 PLC ±. 1 PLC ±. 2 PLC ±.02 3 PLC ±.010 4 PLC ±.0005 ANGLES ±. FINISH ±.		DWN R. GRYZBOWSKI 22AUG2006 CHK P. DAMATO 22AUG2006 APVD S. FLICKINGER 23AUG2006 PRODUCT SPEC APPLICATION SPEC WEIGHT CUSTOMER DRAWING		Tyco Electronics Harrisburg, PA 17105-3608 NAME CONNECTOR, ASSEMBLY, SOCKET WITH PCB TAILS SIZE CAGE CODE DRAWING NO RESTRICTED TO A100779C-1766013 SCALE 1:1 SHEET 1 OF 2 REV B	
---	--	--	--	--	--

LOC	DIST	REVISIONS					
GP	00	P	LTB	DESCRIPTION	DATE	DWN	APVD
		-	-	SEE SHEET 1	-	-	-



PRINTED CIRCUIT BOARD LAYOUT

HOLE SIZE #12  
 FINISHED HOLE:  $\varnothing .104 \pm .003$   
 DRILLED HOLE:  $\varnothing .106 \pm .0005$   
 COPPER PLATE: .0010-.0020  
 TIN PLATE: .0002 MIN THK.

HOLE SIZE #20  
 FINISHED HOLE:  $\varnothing .047 \pm .003$   
 DRILLED HOLE:  $\varnothing .0453 \pm .0005$   
 COPPER PLATE: .0010-.0020  
 TIN PLATE: .0002 MIN THK.

QTY	PART NUMBER	DESCRIPTION	ITEM
6	1648387-1	CONTACT, SOCKET, SIZE #12, PCB TAIL, HP	C
4	1648382-1	CONTACT, SOCKET, SIZE #20, PCB TAIL	B
1	1648115-2	HOUSING, SOCKET, PCB MOUNT, NO LABEL	A
-2	PART NUMBER	DESCRIPTION	ITEM

DIMENSIONS: INCHES 		TOLERANCES UNLESS OTHERWISE SPECIFIED: 9 PLC ±. 1 PLC ±. 2 PLC ±.02 3 PLC ±.010 4 PLC ±.0005 ANGLES ±. FINISH ±.		DWN R. GRYZBOWSKI 22AUG2006 CHK P. DAMATO 22AUG2006 APVD S. FLICKINGER 22AUG2006 NAME PRODUCT SPEC APPLICATION SPEC WEIGHT CUSTOMER DRAWING		Tyco Electronics Harrisburg, PA 17105-3608 CONNECTOR, ASSEMBLY, SOCKET WITH PCB TAILS SIZE CAGE CODE DRAWING NO RESTRICTED TO A100779C=1766013 SCALE 1:1 SHEET 2 OF 2 REV B	
---------------------------	--	---	--	--	--	--	--