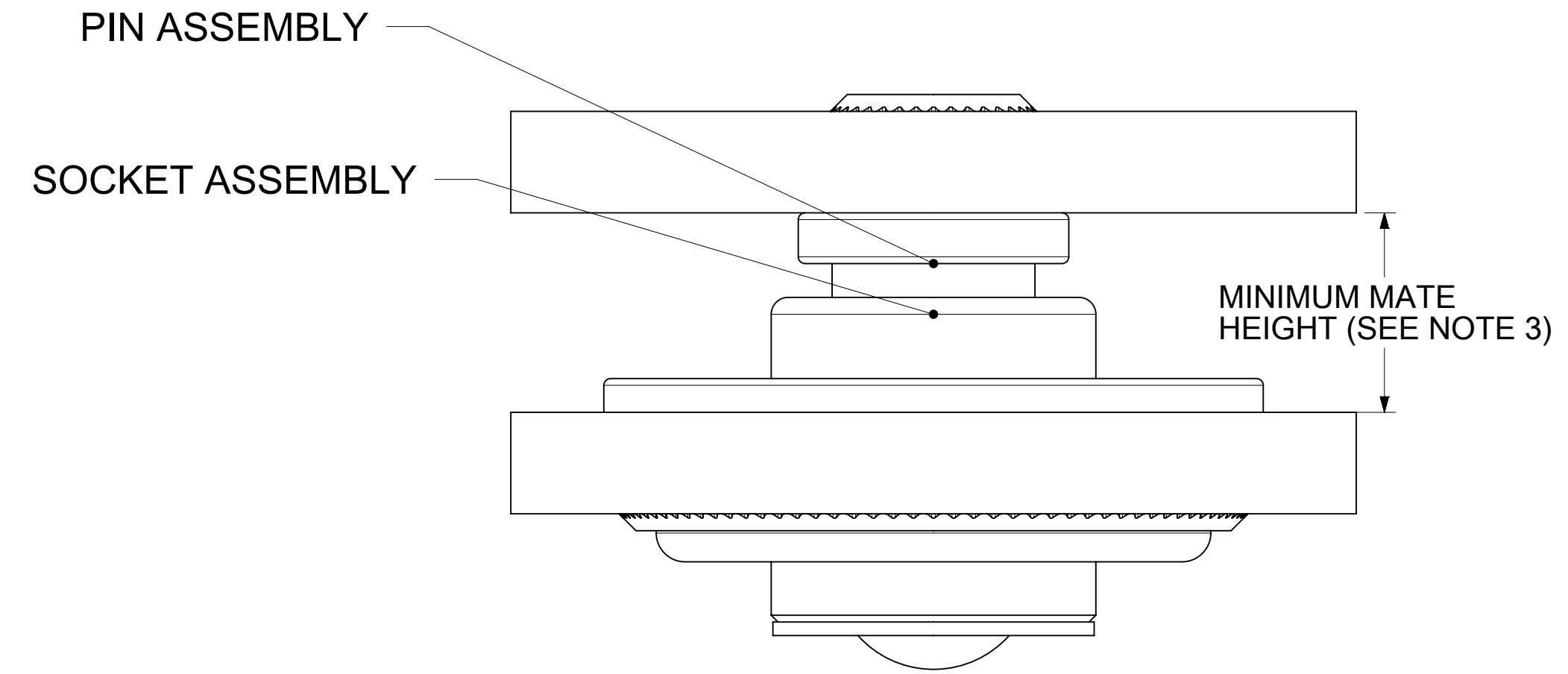


SECTION A-A



MATING PROFILE

NOTES:

1. MATERIALS: COPPER ALLOY
RETENTION CAP: STAINLESS STEEL
2. PLATING:
 - i. CONTACT AREA: GOLD.
 - ii. REST AREA: SILVER WITH TARNISH INHIBITOR
3. MATES WITH THE STANDARD PIN DRAWINGS:
 - i. 6.0MM SMT DRAWING 2032630136-SD, MIN MATING DISTANCE 6.15MM
 - ii. 6.0MM PRESS FIT DRAWING 2032630006-SD, MIN MATING DISTANCE 5.9MM
 - iii. 6.0MM SCREW MOUNT DRAWING 2032636185-SD, MIN MATING DISTANCE 8.9MM
4. PRODUCT SPECIFICATION: 2043130006-PS
5. APPLICATION SPECIFICATION: 2043130006-AS
6. PACKAGING SPECIFICATION: 2043650006-PK
7. SILVER COMPONENTS WILL BE SUPPLIED TARNISH FREE BUT MAY TARNISH OVER TIME.
8. DATE CODE TO BE LASER MARKED APPROXIMATELY WHERE SHOWN USING DDYY FORMAT

THIS DRAWING CONTAINS INFORMATION THAT IS PROPRIETARY TO MOLEX ELECTRONIC TECHNOLOGIES, LLC AND SHOULD NOT BE USED WITHOUT WRITTEN PERMISSION											
DIMENSION UNITS	SCALE	CURRENT REV DESC: UPDATED THE TITLE BLOCK									
mm	NTS	molex									
GENERAL TOLERANCES (UNLESS SPECIFIED)		6.0MM CENTRALITY TOP ENTRY PRESS-FIT SOCKET WITH FLOAT IN TRAY									
ANGULAR TOL ± °		PRODUCT CUSTOMER DRAWING									
4 PLACES	±	EC NO: 747243		2023/02/28		DOCUMENT NUMBER		DOC TYPE		REVISION	
3 PLACES	±	DRWN: SACHIK7		2023/04/25		2043130006-SD		PSD		000 B2	
2 PLACES	± 0.15	CHK'D: SCS02		2023/04/26							
1 PLACE	± 0.25	APPR: HTHYAGARAJ		2023/04/26		MATERIAL NUMBER		CUSTOMER		SHEET NUMBER	
0 PLACES	±	INITIAL REVISION:		2018/08/23		2043130006		GENERAL MARKET		1 OF 1	
DRAFT WHERE APPLICABLE MUST REMAIN WITHIN DIMENSIONS		THIRD ANGLE PROJECTION		DRAWING		SERIES		MATERIAL NUMBER		CUSTOMER	
				D-SIZE		204313					