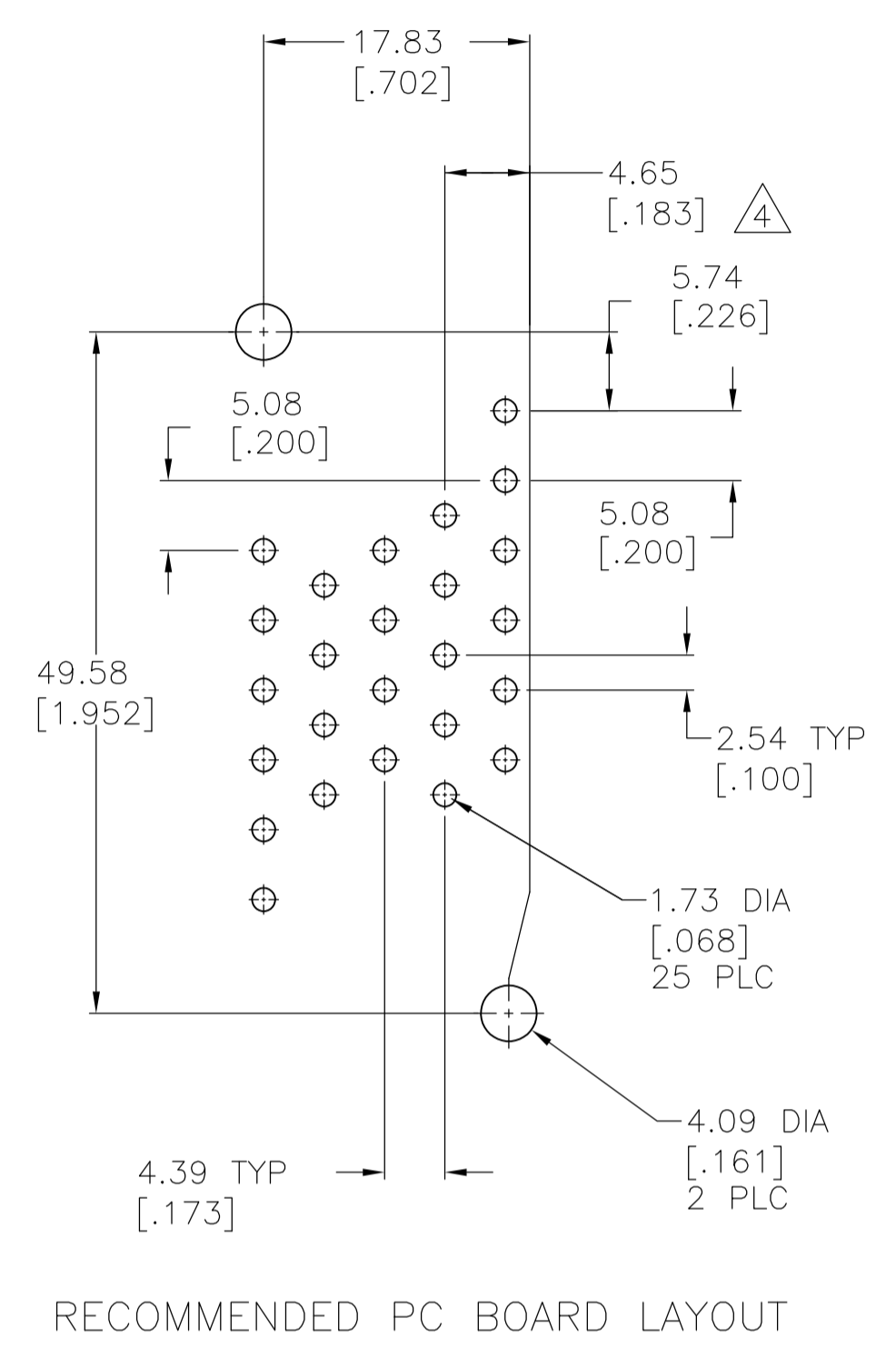
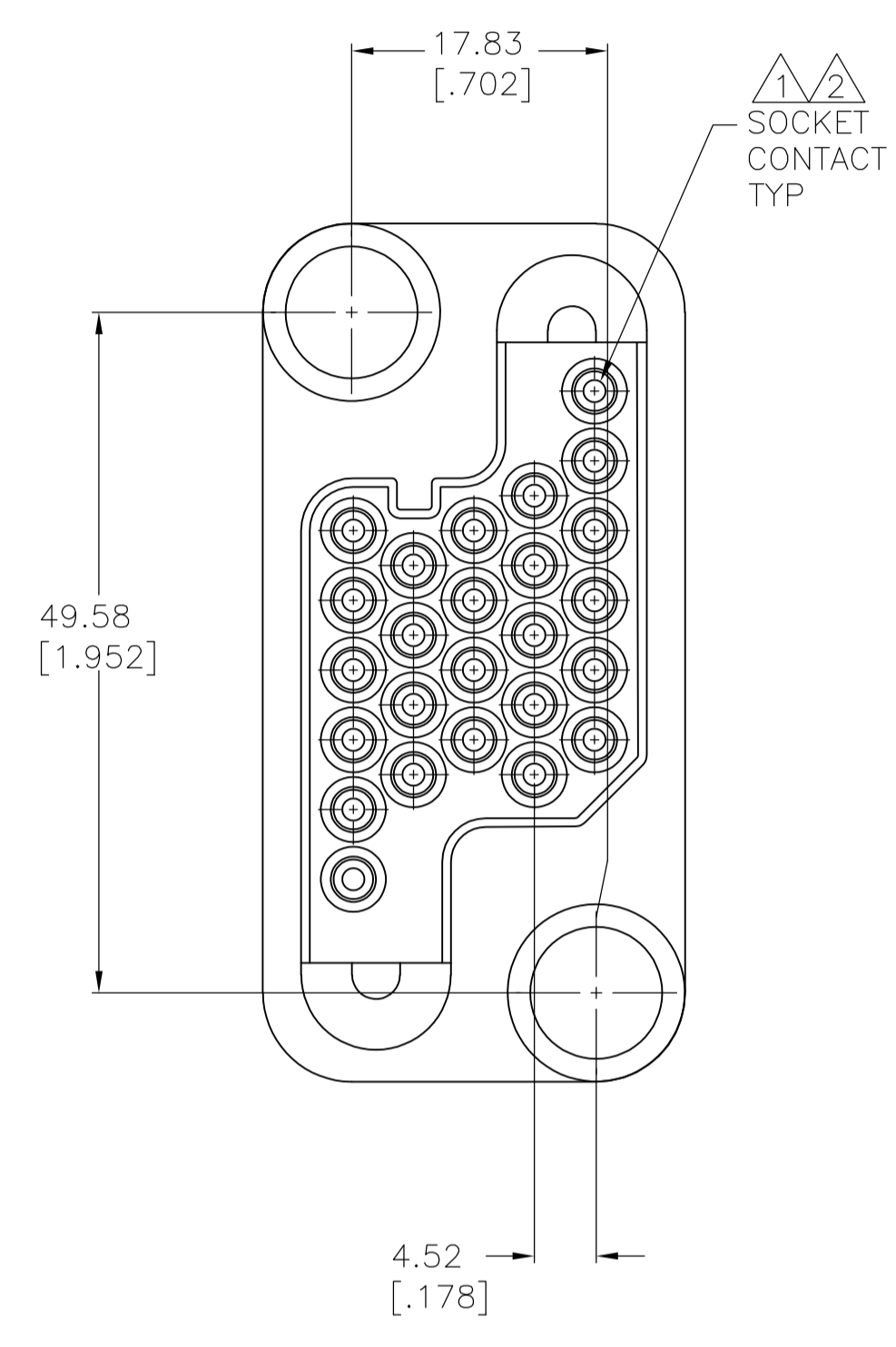
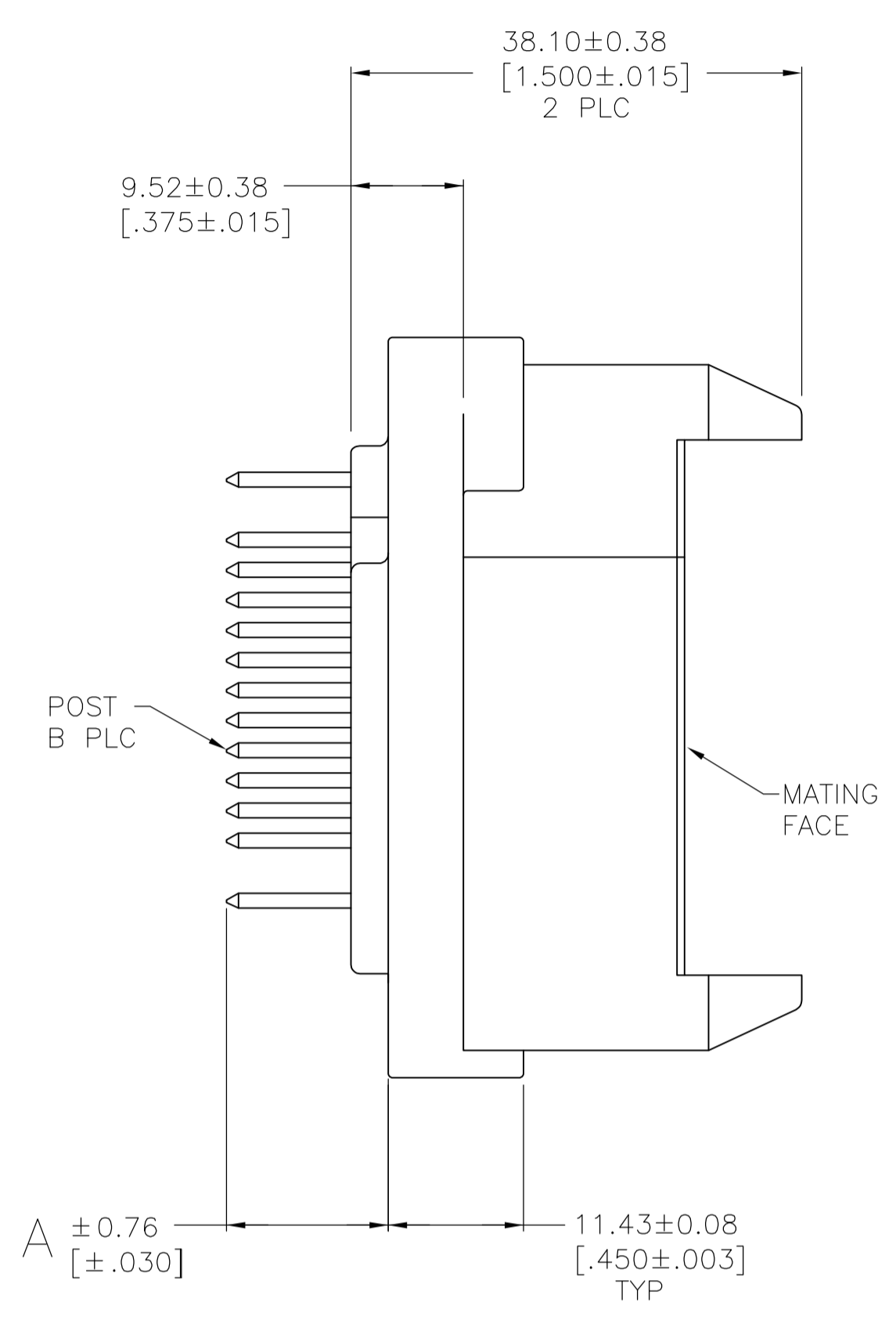
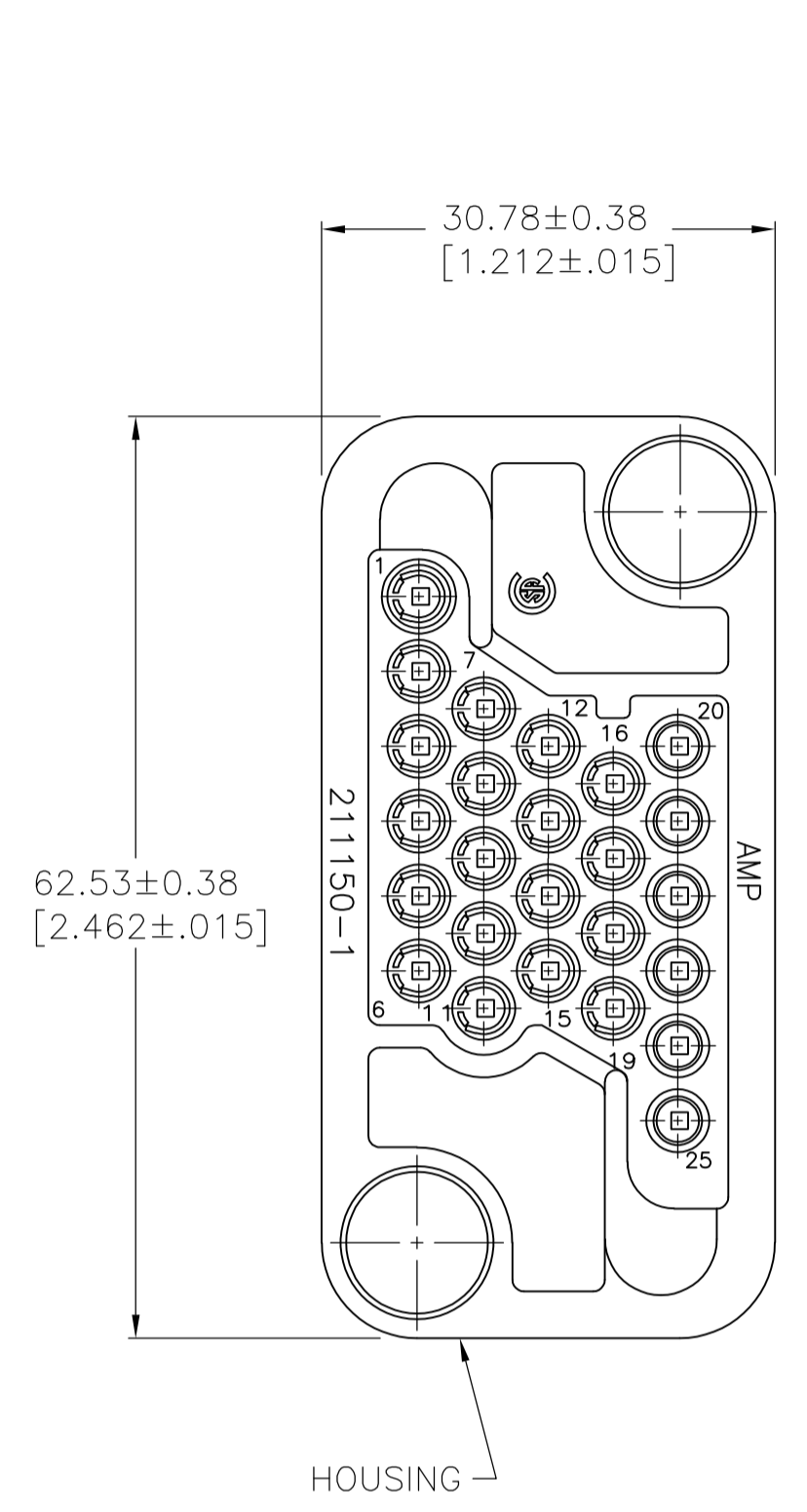


REVISIONS					
P	LTR	DESCRIPTION	DATE	DMN	APVD
C		REVISED PER ECO-16-004940	02AUG2016	NK	MZ



- ⚠ ALL POSITIONS LOADED WITH POSTED SOCKET CONTACTS EXCEPT 4,13,17,21, & 25.
- ⚠ SOCKET CONTACT: 0.76um[.000030] MIN GOLD FOR A LENGTH OF 5.08[.200] MIN FROM MATING END, GOLD FLASH ON THE REMAINDER, BOTH OVER 1.27um[.000050] MIN NICKEL ON SOCKET END. POST: 2.54um[.000100] MIN TIN-LEAD OVER 2.54um[.000100] MIN COPPER.
- 3. CONTACT ASSEMBLY SHOULD BE FULLY SEATED IN HOUSING PRIOR TO SOLDERING TO PRINTED CIRCUIT BOARD.
- ⚠ THIS DIMENSION HAS BEEN CHANGED FROM THE STANDARD MOUNTING DIMENSION BY 0.13[.005] DUE TO THE POSTED CONTACT.
- ⚠ HOUSING: POLYESTER, BLACK.
SOCKET CONTACT: BRASS.
SPRING: STAINLESS STEEL.
POST: BRASS.
- ⚠ SOCKET CONTACT: 0.76um[.000030] MIN GOLD FOR A LENGTH OF 5.08[.200] MIN FROM MATING END, GOLD FLASH ON THE REMAINDER, BOTH OVER 1.27um[.000050] MIN NICKEL ON SOCKET END. POST: 2.54um[.000100] MIN TIN OVER 2.54um[.000100] MIN COPPER.
- ⚠ OBSOLETE PARTS: OBSOLETE CIS STREAMLINING PER D.RENAUD/D.SINISI

OBSELETE	⚠	⚠ (20)	20	13.18 [.519]	-213881-4-
	⚠	FULLY (25)	25	9.40 [.370]	213881-3
7 OBSELETE	⚠	⚠ (20)	20	13.18 [.519]	-213881-2-
OBSELETE	⚠	FULLY (25)	25	9.40 [.370]	-213881-1-
		FINISH	CAVITIES LOADED	B	A
					PART NUMBER

THIS DRAWING IS A CONTROLLED DOCUMENT.

DIMENSIONS: mm [INCHES]	TOLERANCES UNLESS OTHERWISE SPECIFIED:	DIN C. OBERMAN	5-30-95	APVD R. STONE	5-30-95	NAME M. McALONIS	PRODUCT SPEC
0 PLC ± -	1 PLC ± -	2 PLC ± 0.13 [.005]	3 PLC ± -	4 PLC ± -	ANGLES ± -	APPLICATION SPEC	SIZE A1
MATERIAL -	FINISH -	WEIGHT	SCALE 2:1	CAGE CODE 00779	DRAWING NO. 213881	RESTRICTED TO	SHEET 1 OF 1
CUSTOMER DRAWING		SCALE 2:1		SHEET 1 OF 1		REV C	

STE TE Connectivity
PLUG ASSEMBLY, 25 POSITION, DRAWER CONNECTOR, METRIMATE