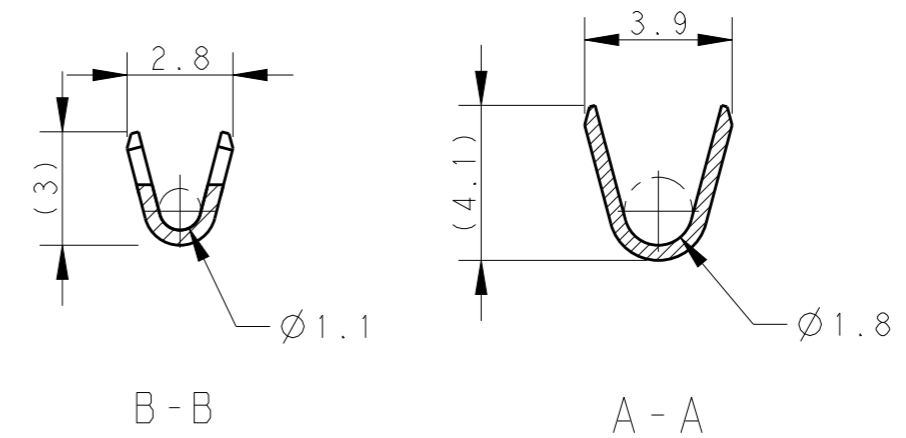
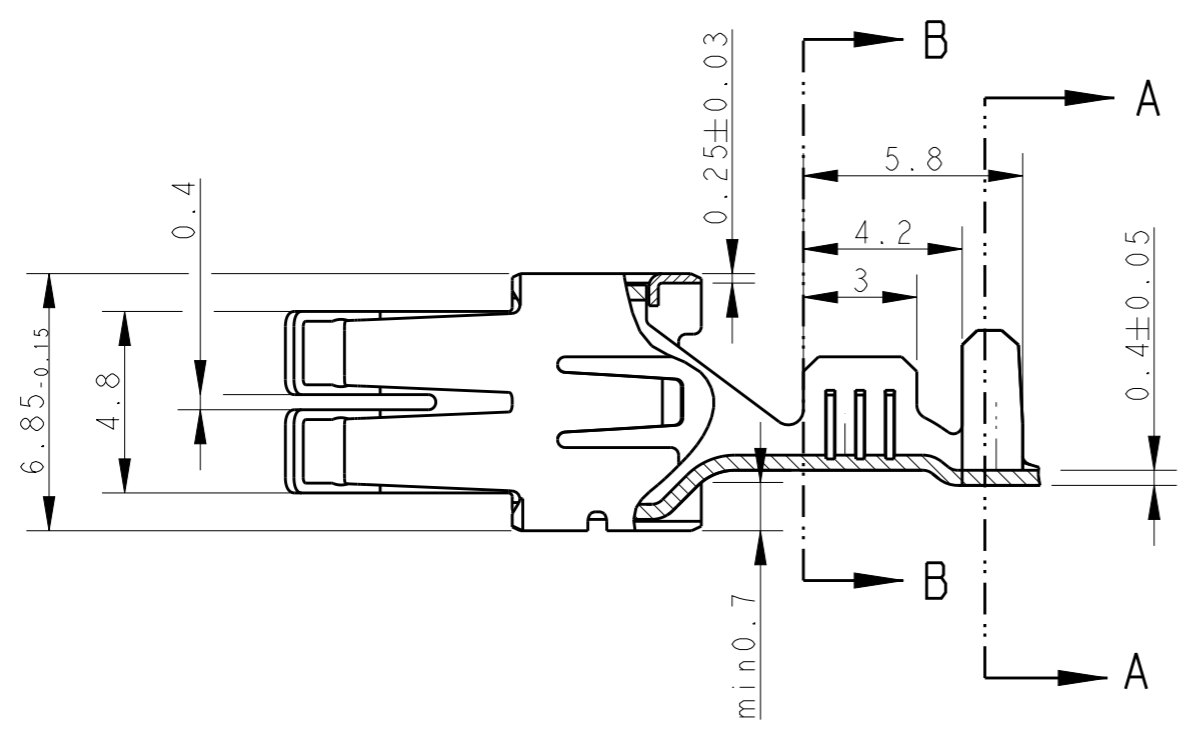
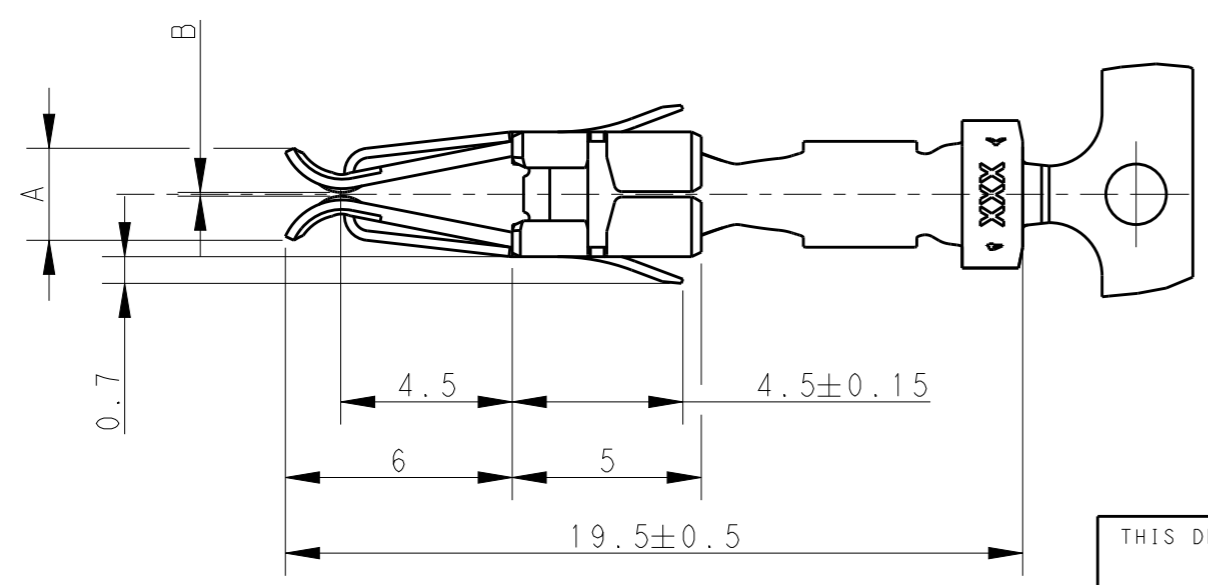


THIS DRAWING IS UNPUBLISHED. RELEASED FOR PUBLICATION 20
 © COPYRIGHT 20 BY - ALL RIGHTS RESERVED.

REVISIONS					
P	LTR	DESCRIPTION	DATE	DWN	APVD
	A5	ECR-16-013486	22SEP2016	KD	RR
	A6	ECR-17-008121	07JUN2017	IZ	RR
	A7	ECR-18-005246	25APR2018	KD	LF
	A8	ECR-19-006808	29APR2019	KD	FL



- 1 PRELIMINARY - NOT RELEASED FOR PRODUCTION
- 2 ONLY FOR 3-927827-1 & 3-927827-2, DIMENSIONS HAVE TO FOLLOW SHEET 2
 - INSULATION RANGE: Ø2.0 - 2.7
 - INSULATION BARREL DIMENSION
- 3 ONLY FOR 3-964324-1 DIMENSIONS HAVE TO FOLLOW SHEET 3
 - INSULATION RANGE: Ø1.4 - 2.1
 - INSULATION BARREL DIMENSION



0	+0.08	2.3 ±0.15	PRESILVERED	CuFe2	3-927831-5	A
0	+0.08	2.3 ±0.15	PRESILVERED	CuSn4	3-927831-4	A
0	+0.08	2.3 ±0.15	PRETINNED	CuSn4	3-927831-2	A
0	+0.08	2.3 ±0.15	PRETINNED	CuFe2	3-927831-1	A
0.2	MAX	2.5	PRETINNED	CuFe2	2825197-1	A
B		A	FINISH	MATERIAL	PN	REV

INSUL. RANGE: Ø1.4-2.1 mm
 WIRE RANGE: Ø0.5-1.0 mm²

THIS DRAWING IS A CONTROLLED DOCUMENT.

DWN: SUDHAKAR N S 27MAR2015
 CHK: L. FEDERICO 31MAR2015
 APVD: R. RICCARDO 31MAR2015

TE Connectivity

NAME: STANDARD-POWER-TIMER CONTACT

PRODUCT SPEC: 108-18025
 APPLICATION SPEC: 114-18037

WEIGHT: -

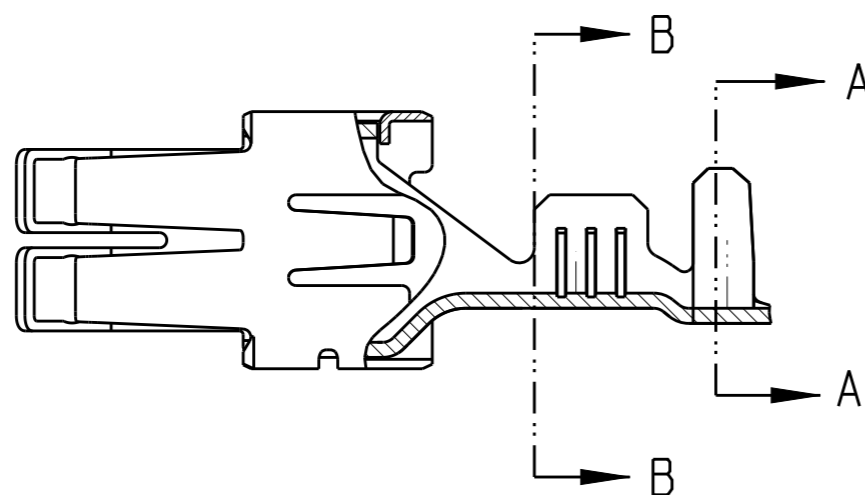
Customer Drawing

SCALE: 5:1 SHEET: 1 OF 3 REV: A8

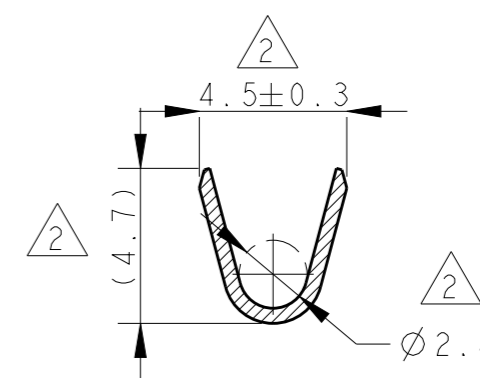
REVISIONS

P	LTR	DESCRIPTION	DATE	DWN	APVD
-	-	SEE SHEET 1	-	-	-

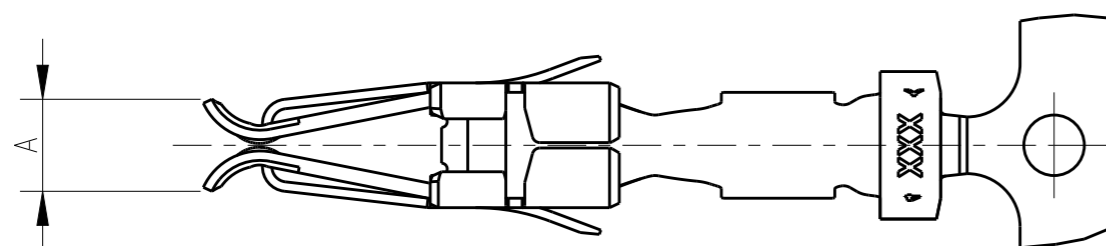
ONLY FOR 3-927827-1 & 3-927827-2
OTHERS DIMENSION SEE SHEET 1



B - B



A - A



2.3 ±0.15	PRETINNED	CuSn4	△2	3-927827-2	A
2.3 ±0.15	PRETINNED	CuFe2	△2	3-927827-1	A
A	FINISH	MATERIAL	PN	REV	

THIS DRAWING IS A CONTROLLED DOCUMENT.

DIMENSIONS:	TOLERANCES UNLESS OTHERWISE SPECIFIED:
mm	±0.2
	0 PLC ±-
	1 PLC ±-
	2 PLC ±-
	3 PLC ±-
	4 PLC ±-
	ANGLES ±-

DWN	27MAR2015
CHK	SUDHAKAR N S
APVD	31MAR2015
	L. FEDERICO
	31MAR2015
	R. RICCARDO
PRODUCT SPEC	108-18025
APPLICATION SPEC	114-18037
WEIGHT	-



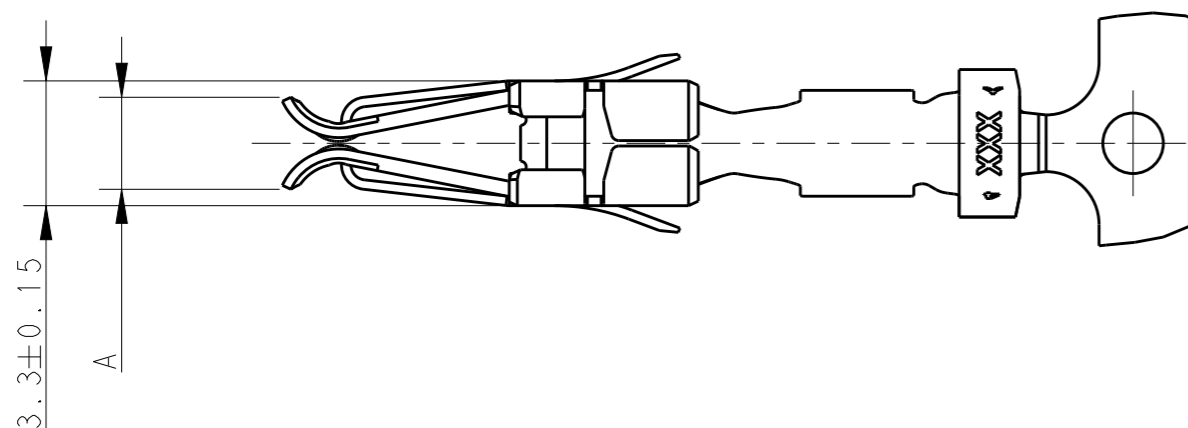
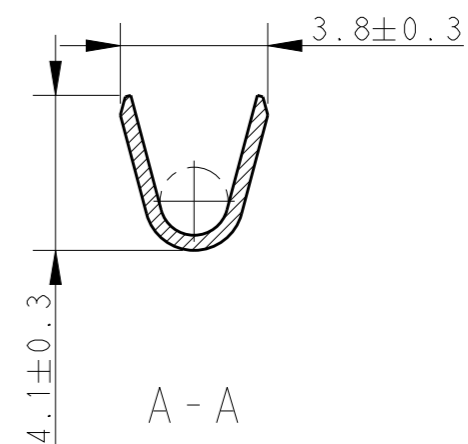
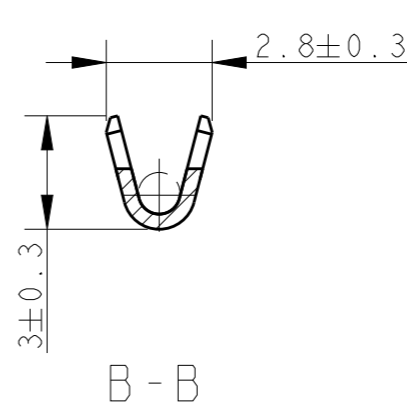
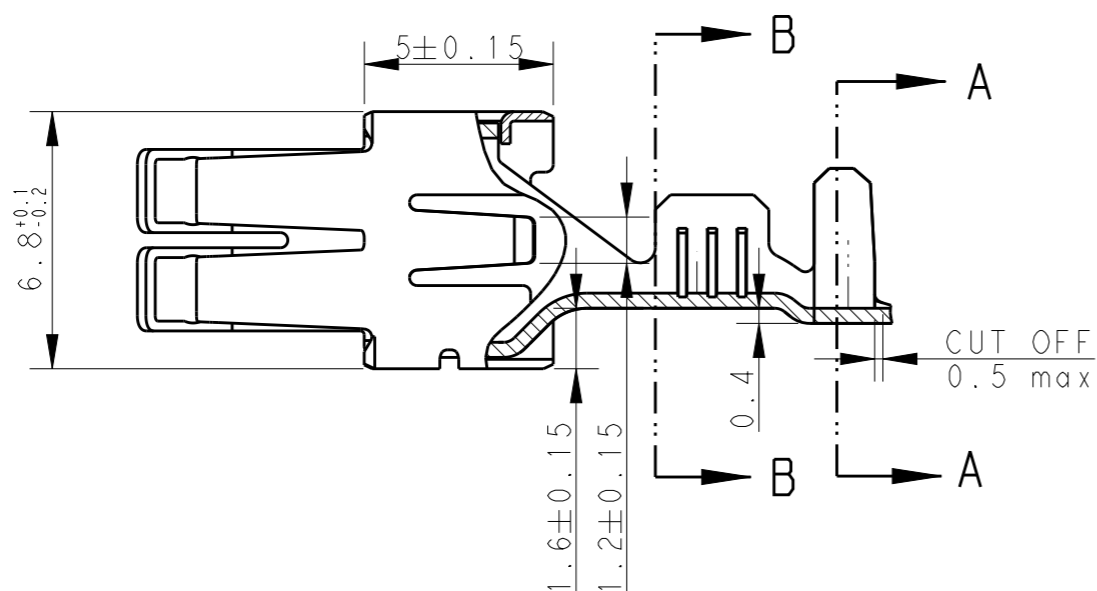
NAME				
STANDARD-POWER-TIMER CONTACT				
SIZE	CAGE CODE	DRAWING NO	RESTRICTED TO	
A3	-	C-2825197	-	
Customer Drawing		SCALE	SHEET	REV
		5:1	2 OF 3	A8

INSUL. RANGE	WIRE RANGE	MATERIAL	FINISH
Ø 2.0-2.7 mm	Ø 0.5-1.0 mm ²	-	-

REVISIONS

P	LTR	DESCRIPTION	DATE	DWN	APVD
-	-	SEE SHEET 1	-	-	-

ONLY FOR 3-964324-1
OTHERS DIMENSION SEE SHEET 1



2.3 ±0.15	PRETINNED	CuFe2	\triangle 3-964324-1	A
A	FINISH	MATERIAL	PN	REV

THIS DRAWING IS A CONTROLLED DOCUMENT.

DWN 27MAR2015
SUDHAKAR N S
CHK 31MAR2015
L. FEDERICO
APVD 31MAR2015
R. RICCARDO



NAME STANDARD-POWER-TIMER CONTACT

DIMENSIONS: mm	TOLERANCES UNLESS OTHERWISE SPECIFIED: ±0.2
	0 PLC ±-
	1 PLC ±-
	2 PLC ±-
	3 PLC ±-
	4 PLC ±-
	ANGLES ±-

PRODUCT SPEC 108-18025
APPLICATION SPEC 114-18037
WEIGHT -

SIZE A3	CAGE CODE -	DRAWING NO C-2825197	RESTRICTED TO -
---------	-------------	----------------------	-----------------

INSUL. RANGE Ø 1.4-2.1 mm	WIRE RANGE Ø 0.5-1.0 mm ²
------------------------------	---

MATERIAL -	FINISH -
------------	----------

Customer Drawing	SCALE 5:1	SHEET 3 OF 3	REV A8
------------------	-----------	--------------	--------