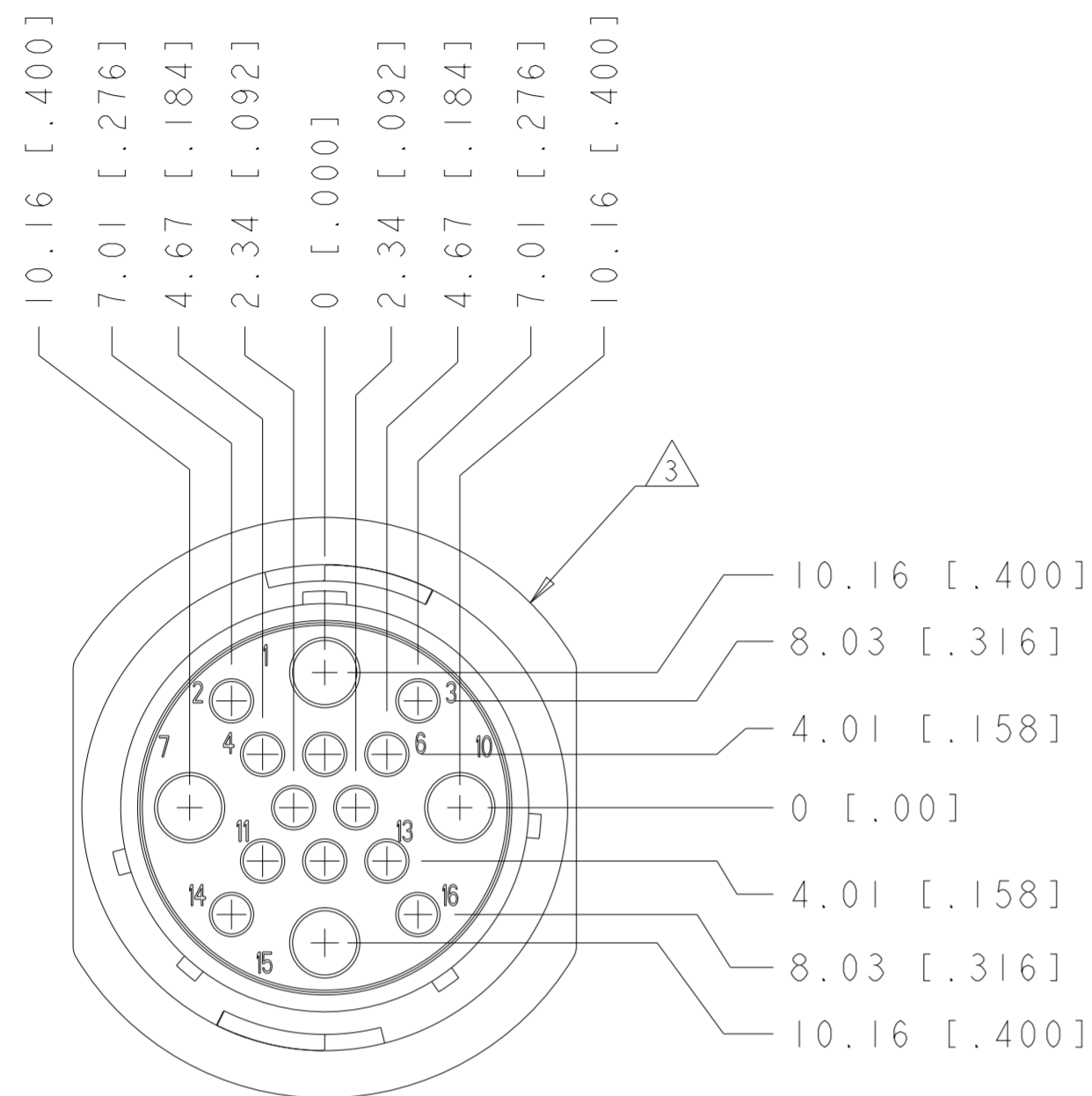
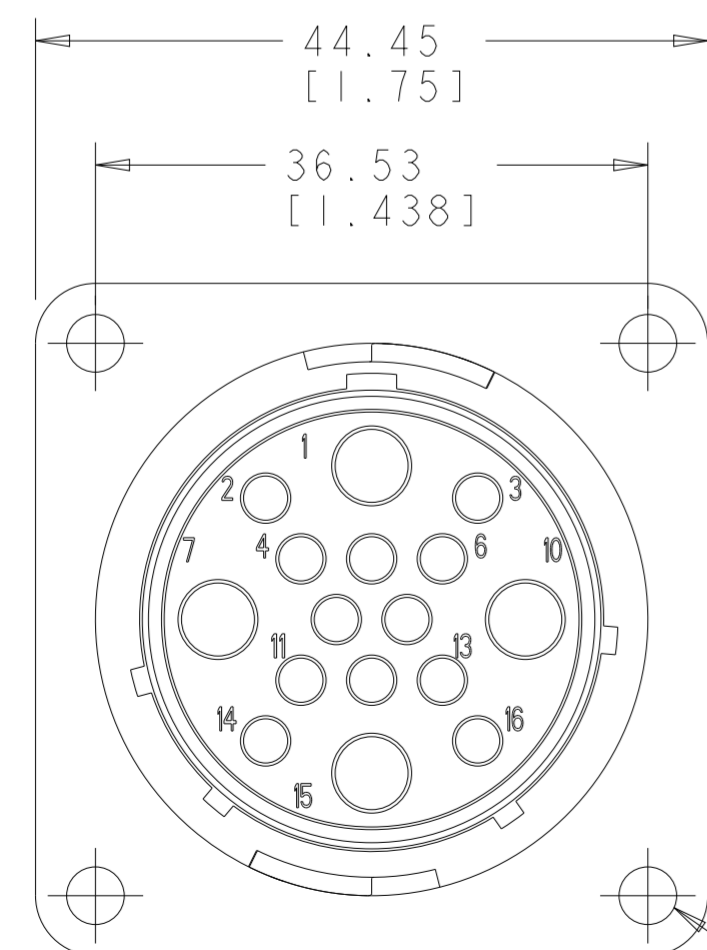


P	LTR	DESCRIPTION	DATE	DWN	APVD
J		REVISED PER ECO-21-006943	13OCT2021	RK	MZ

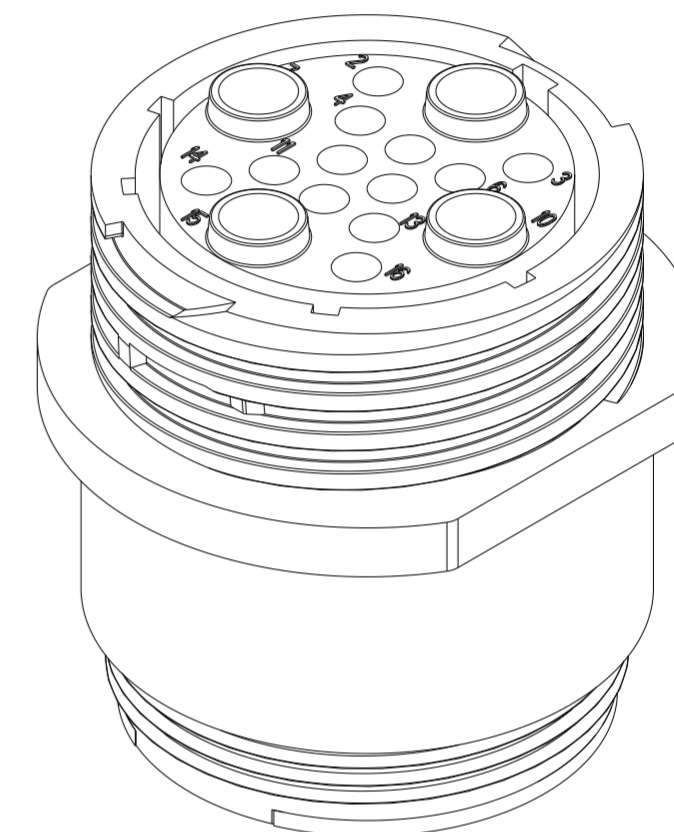
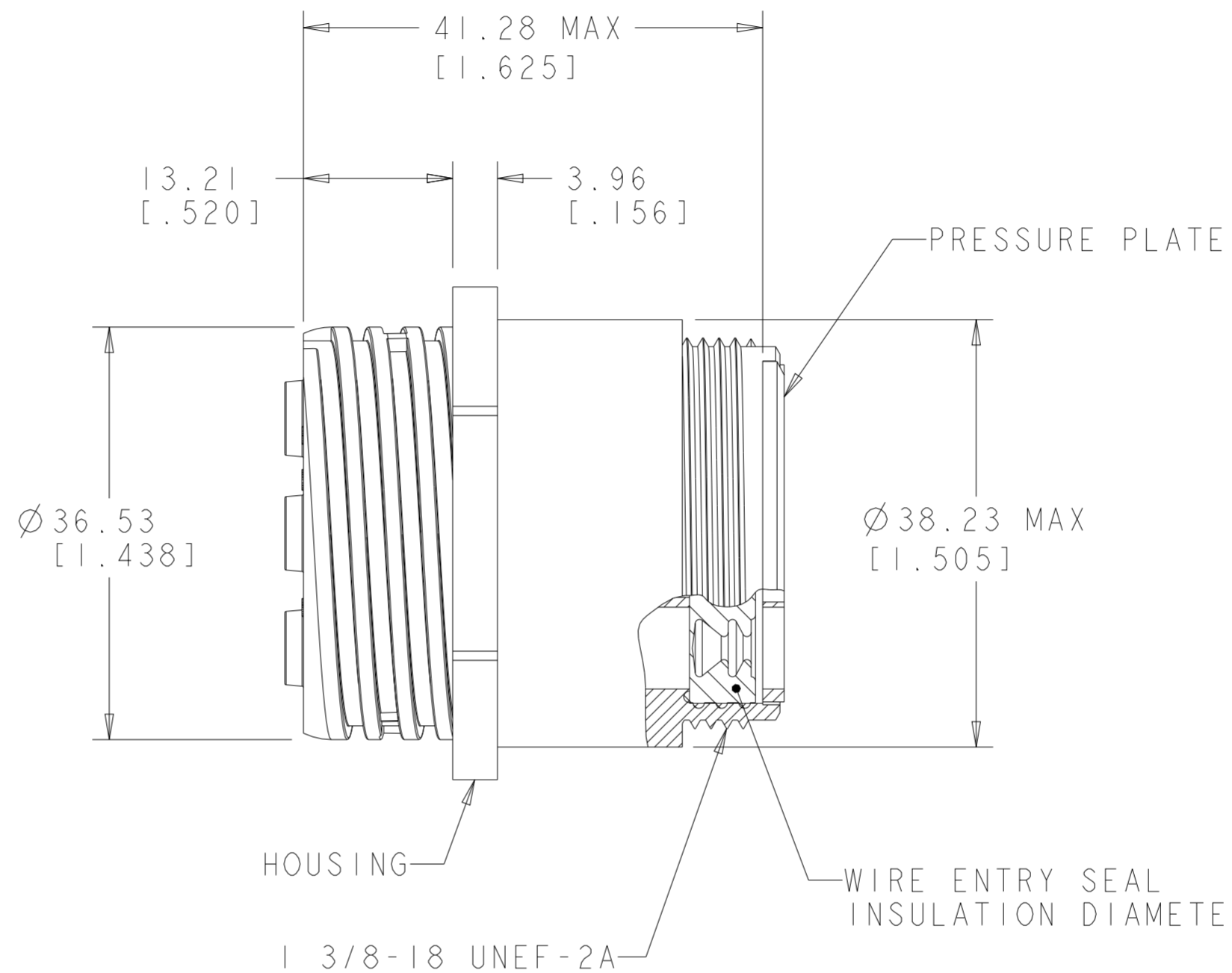


FREE-HANGING VERSION



SQUARE FLANGE VERSION

THREADED INSERT
QTY: 4, SEE TABLE



① HOUSING & PRESSURE PLATE: NYLON, BLACK.
WIRE ENTRY SEAL: ELASTOMER, RED-IRON OXIDE.
PERIPHERAL SEAL: ELASTOMER, BLACK.

2. CONNECTOR WILL ACCEPT (12) MULTIMATE SOCKET
AND (4) POWER SOCKET CONTACTS.

③ TE LOGO LOCATED ON ANY FLANGE EDGE

OBSOLETE	.095-.205	NO	SQUARE FLANGE	796330-3
OBSOLETE	.150-.260	YES	SQUARE FLANGE	796330-2
	.095-.205	NO	FREE-HANGING	796330-1
	INSULATION DIAMETER	THREADED INSERT	HOUSING VERSION	PART NUMBER

THIS DRAWING IS A CONTROLLED DOCUMENT.		DWN S. WELDON 13DEC1999	STE TE Connectivity	
DIMENSIONS: mm [INCHES]		CHK J. ENGLE 13DEC1999		
TOLERANCES UNLESS OTHERWISE SPECIFIED:		APVD J. ENGLE 13DEC1999	NAME RECEPTACLE ASSY, SERIES 6, REVERSE SEX, SIZE 23-16 CIRCULAR PLASTIC CONNECTOR	
0 PLC ± 1 PLC ± 2 PLC ±0.02 3 PLC ± 4 PLC ± ANGLES ± FINISH -		PRODUCT SPEC 108-1579	SIZE A200779	
MATERIAL -		APPLICATION SPEC -	CAGE CODE C-796330	
		WEIGHT -	DRAWING NO C-796330	
		CUSTOMER DRAWING	RESTRICTED TO J	
		SCALE 2:1	SHEET 1 OF 1	