



1059 MHz Cavity Bandpass Filter

Part Number: AB1059B930



Electrical specifications

Center Frequency: 1059 MHz
Bandwidth (BW): 18 MHz nom.
Insertion Loss in BW: 2.3 dB max
Return Loss: 18 dB min
Rejection 1: 45 dBc@1040.5 MHz
Rejection 2: 45 dBc@1082.5 MHz
Impedance: 50 Ohms In/Out
Power Handling: 200 W-CW

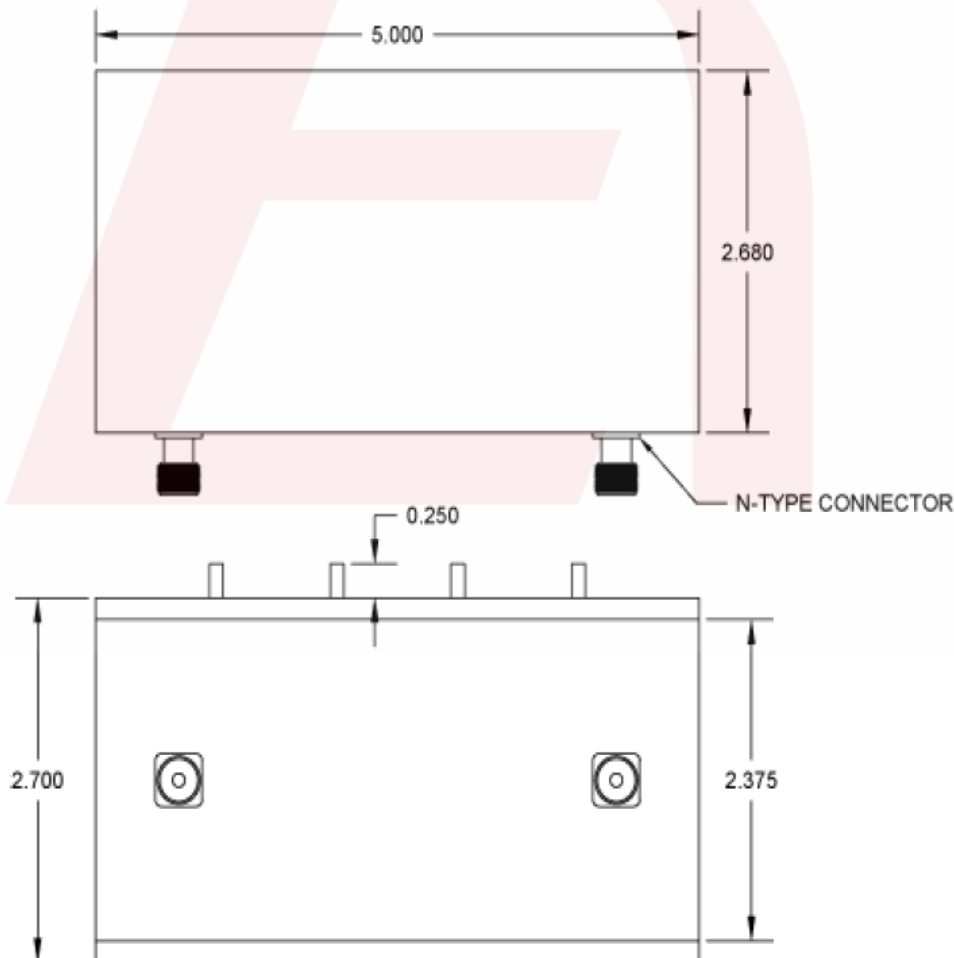
Mechanical

Mounting Method: Threaded Mounting Holes
Connector Type: N Female
Dimensions: 5.00" X 2.60" X 2.70" in

Environmental

Operating Temperature: -45 to +85° C
Storage Temperature: -55 to +95° C
Shock: 20 G. 11ms
Vibration: 20 G. 5 to 200 MHz

Outline Drawing:



DS-B930-03152018-Rev0



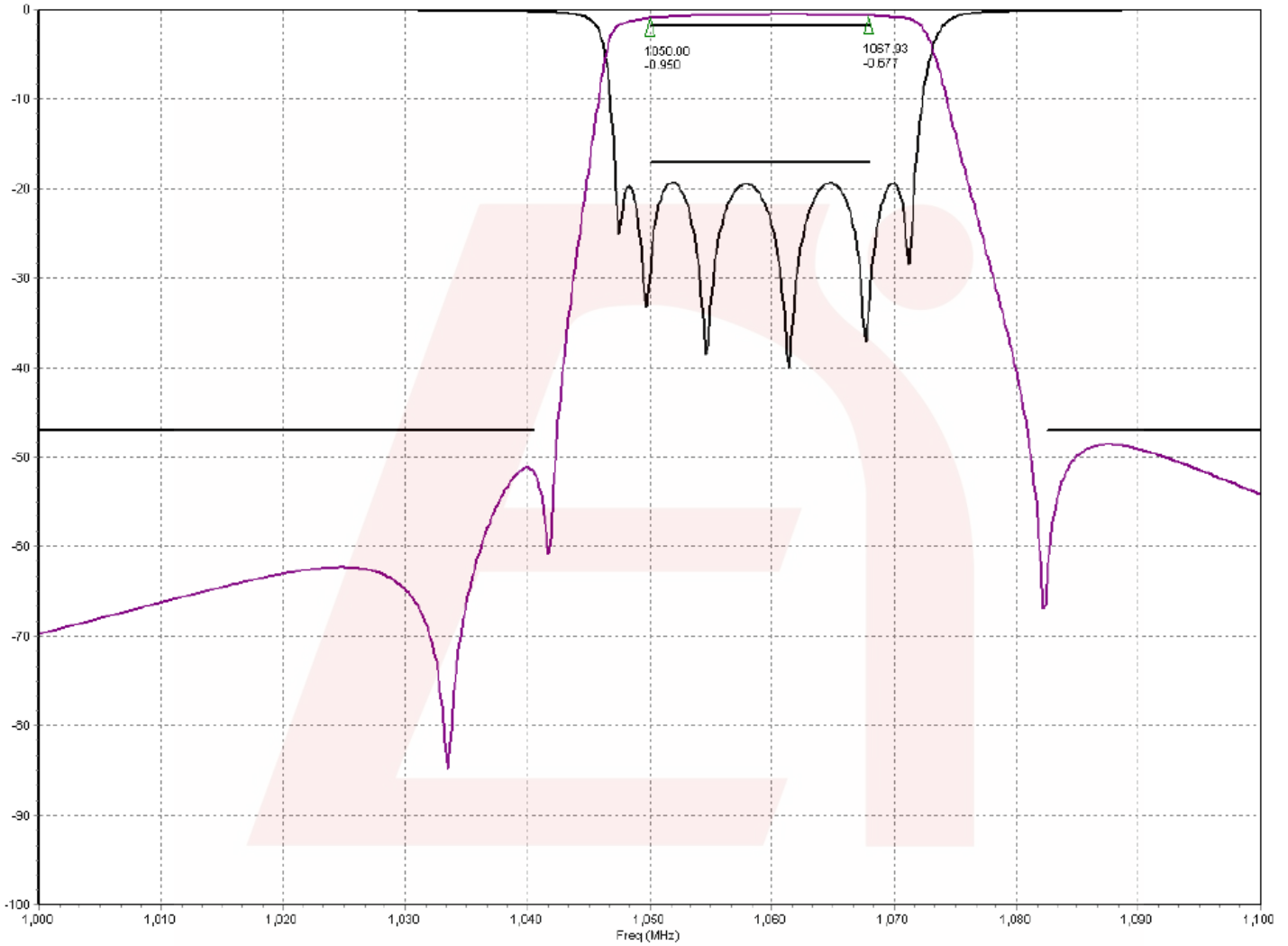
ANATECH ELECTRONICS INC
RF & Microwave Filters & Products

1059 MHz Cavity Bandpass Filter

Part Number: AB1059B930



Plot:



DS-B930-03152018-Rev0