



Single Port Vertical Mount RJ45

ARV11-4500I

- 10/100 Base-T for Ethernet Applications
- Meets IEEE802.3 standard
- TVS LC30-3.3 on cable side
- Pin 7 Removed
- Industrial Temp: -40°C to +85°C



Electrical Specifications @ 25°C

Part Number	OCL(μH Min) @ 100kHz, 0.1V With 8mA DC Bias	Turns Ratio chip: cable (±2%)		Cross Talk (dB Min)	Insertion Loss (dB Max)
	ARV11-4500I	350	TX = 1CT : 1CT	RX = 1CT :1CT	0.1-100MHz -40

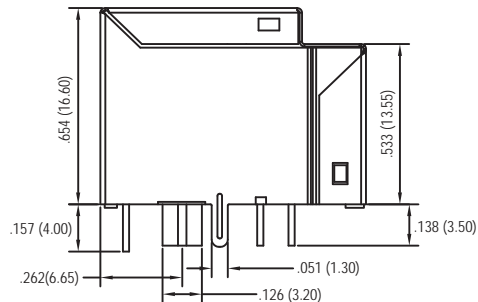
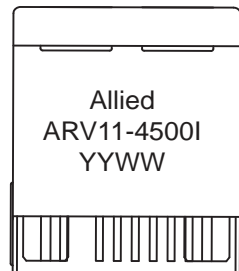
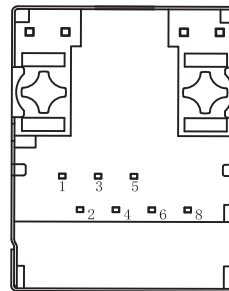
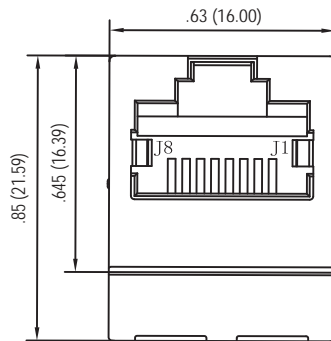
Electrical Specifications @ 25°C

Common Mode Rejection (dB TYP)			Return Loss (dB Min)				Hi-Pot Test
0.1-30MHz	30-60MHz	60-100MHz	0.5-30MHz	40MHz	50MHz	60-80MHz	
-50	-40	-35	-18	-15.5	-13.6	-12	1500Vrms

All specifications subject to change without notice.

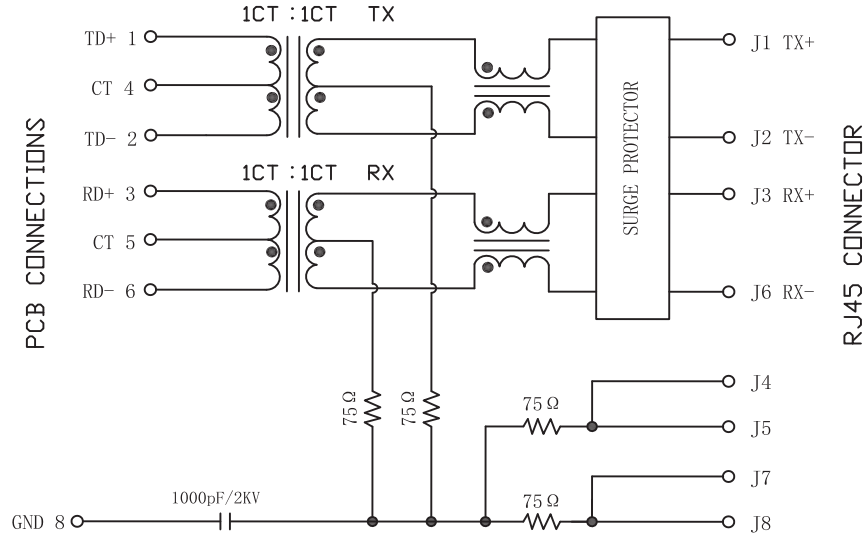
MECHANICAL

DIMENSIONS: inch(mm)



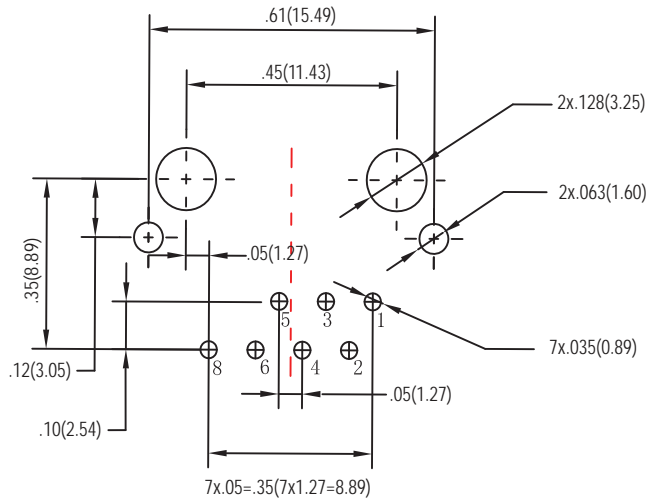


SCHEMATICS



PCB LAYOUT

DIMENSIONS: inch(mm)



NOTES

- Connector Materials:
 - Housing Material: Thermoplastic PBT+30%G.F UL94V-0
 - Contact Material: Phosphor Bronze C5210R-EH Thickness=0.35mm
 - Pins: Brass C2680R-H Thickness=0.35mm
 - Shield: Copper Alloy Brass H65Y Thickness=0.2mm
 - Contact Plating: Gold 6μ" Min In contact area
- Wave Solder temp: 265°C Max, 5Sec Max