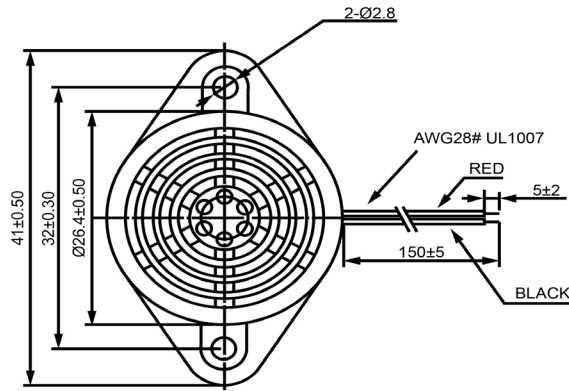
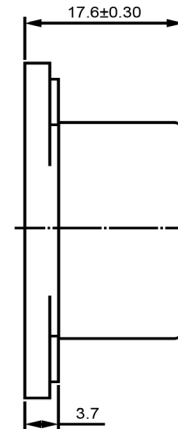




TOP VIEW



SIDE VIEW



Specifications			Notes	Revision History							
Description	Value	Unit		Version	Description	Date	Approved				
Technology	Electro-Mechanical		1) All dimensions are in mm unless otherwise noted 2) All parts meet RoHS	1	Released from Engineering	10/21/2013	J.S				
Resonant Frequency	400	(Hz)									
Rated Voltage	12	(V)									
SPL @ 10cm	95	(dBA)									
Tone	Single										
Mount Type	Flange Mount										
Voltage Range	7 ~ 16	(V)									
Max Rated Current	23	(mA)									
Housing Material	ABS										
Operating Temperature	-20 ~ +60	°C									
Storage Temperature	-30 ~ +70	°C									
Weight	17	(g)									
						Drawn by	Date	Checked by	Date	Approved by	Date
						A.B.	10/21/2013	C.E.	10/21/2013	J.S	10/21/2013
				Electro-Mechanical Indicator		IE260412-3					