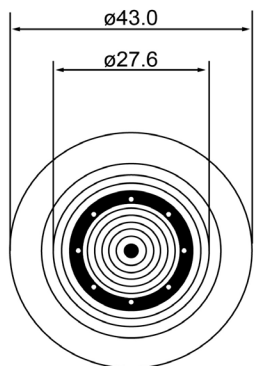
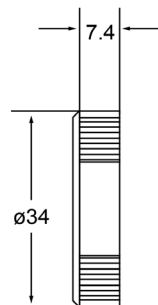


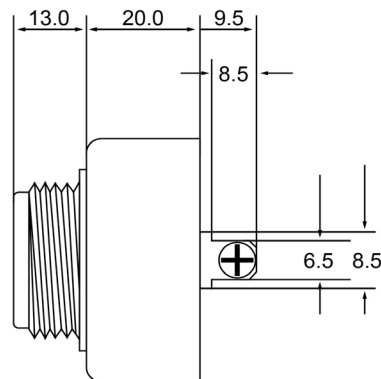
TOP VIEW



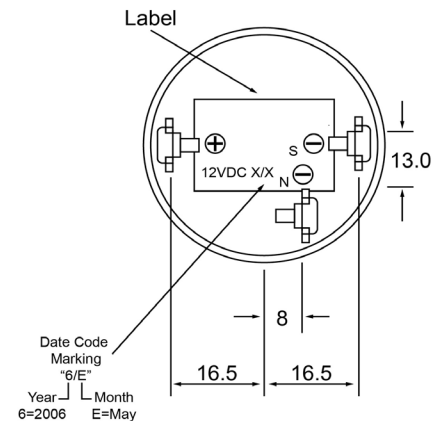
NUT



SIDE VIEW



BOTTOM VIEW



Specifications

Description	Value	Unit
Technology	Piezo	
Resonant Frequency	2,900	(Hz)
Rated Voltage	12	(V)
SPL @ 10cm	100	(dBA)
Tone	Slow Pulse	
Mount Type	Panel	
Voltage Range	6 ~ 28	(V)
Max Rated Current	20	(mA)
Housing Material	ABS	
Operating Temperature	-20 ~ +60	°C
Storage Temperature	-30 ~ +70	°C
Weight	35	(g)

Notes

- 1) All dimensions are in mm unless otherwise noted
- 2) All parts meet RoHS



Revision History

Version	Description	Date	Approved		
1	Released from Engineering	10/21/2013	J.S		
Drawn by	Date	Checked by	Date	Approved by	Date
A.B.	10/21/2013	C.E.	10/21/2013	J.S	10/21/2013

Piezo Indicator

IP432912-1