

# Customer Information Sheet

DRAWING No.: M80-MCXXX68MA-XXXXL

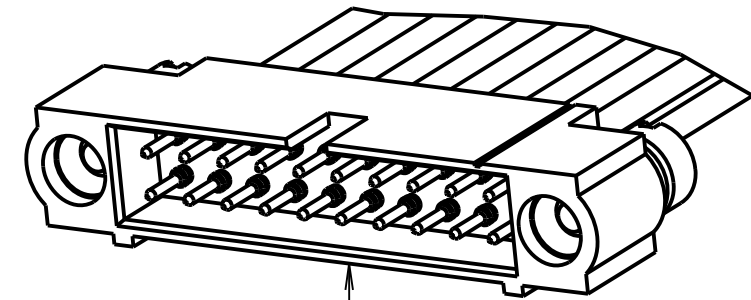
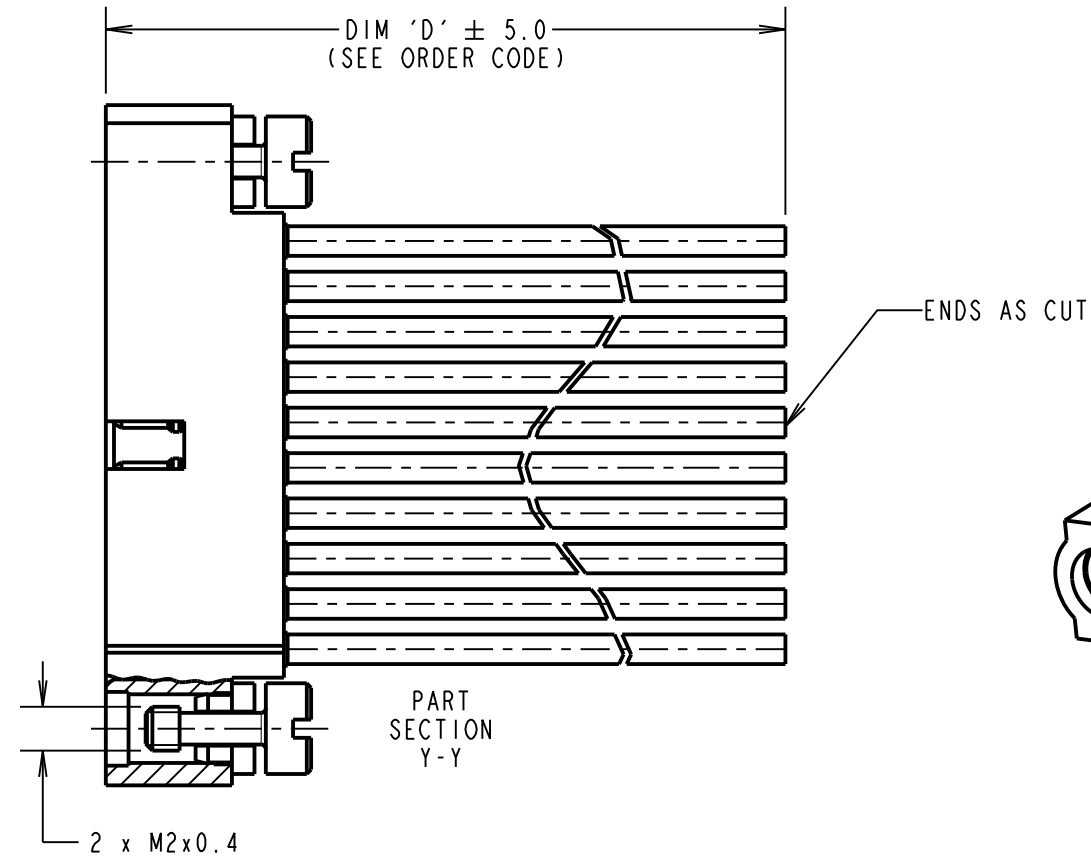
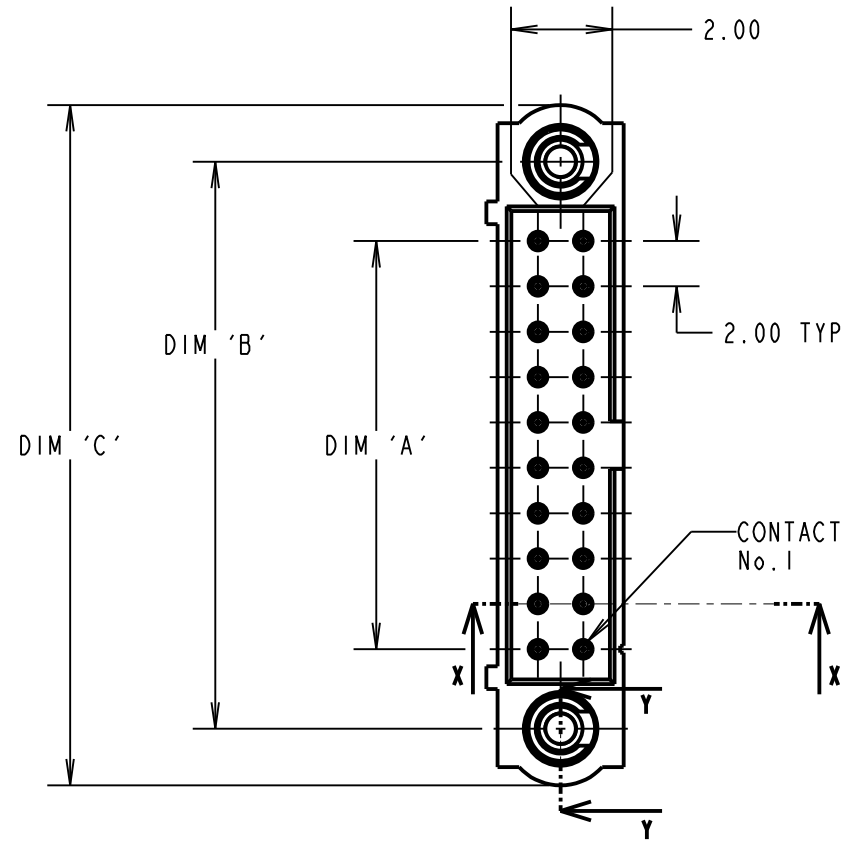
IF IN DOUBT - ASK

©

NOT TO SCALE

THIRD ANGLE PROJECTION

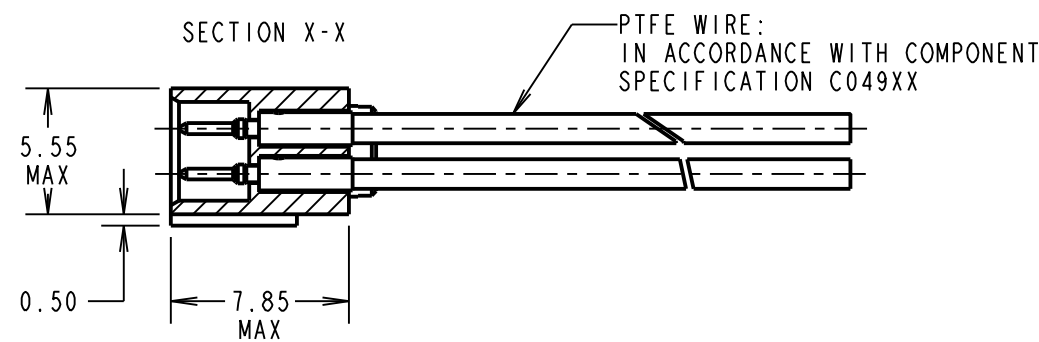
ALL DIMENSIONS IN mm



MALE MOULDING (1-OFF):  
SEE ORDER CODE FOR  
TOTAL No. OF CONTACTS

CONTACT No.	WIRE COLOUR
1	BLACK
2	BROWN
3	RED
4	ORANGE
5	YELLOW
6	GREEN
7	BLUE
8	VIOLET
9	GREY
10	WHITE

WIRE COLOURS REPEAT IN ABOVE ORDER FOR ASSEMBLIES OVER 10 CONTACTS



- NOTES:
- CABLE ASSEMBLIES WILL BE BULK PACKED IN BAGS.
  - FOR COMPLETE SPECIFICATION, SEE COMPONENT SPECIFICATION C005XX (LATEST ISSUE) AND C049XX (LATEST ISSUE).

DIMENSION	MEASUREMENT
DIM 'A'	TOTAL No. OF CONTACTS - 2.0
DIM 'B'	TOTAL No. OF CONTACTS + 5.0
DIM 'C'	TOTAL No. OF CONTACTS + 10.0

EXAMPLE PART No.:

2 x 10 CONTACT CONNECTOR WITH 150mm OF 22AWG WIRE = M80-MC11068MA-0150L

2 x 50 CONTACT CONNECTOR WITH 150mm OF 24AWG WIRE = M80-MC25068MA-0150L

ORDER CODE:

**M80-MCXXX68MA-XXXXL**

- WIRE AWG:
- 1 = 22AWG (LARGE BORE)
  - 2 = 24AWG (SMALL BORE)
  - 3 = 26AWG (SMALL BORE)
  - 4 = 28AWG (SMALL BORE)

TOTAL No. OF CONTACTS:  
04 TO 50  
(EVEN NUMBERS ONLY)

DIM 'D' LENGTH:  
0060 = 60mm MIN  
9999 = 9999mm MAX  
(SEE TABLE FOR EXAMPLES)

RTP	2	31.03.21	30101
NAME	ISS.	DATE	CN/CO
APPROVED:		R.PORTLOCK	
CHECKED:		M.PLESTED	
DRAWN:		R.ALEXANDER	
CUSTOMER REF.:			
ASSEMBLY DRG:			

**HARWIN**

www.harwin.com  
technical@harwin.com

THIS DRAWING AND ANY INFORMATION OR DESCRIPTIVE MATTER SET OUT HEREON ARE CONFIDENTIAL AND COPYRIGHT PROPERTY OF THE HARWIN GROUP AND MUST NOT BE DISCLOSED, LOANED, COPIED OR USED FOR MANUFACTURING, TENDERING OR FOR ANY OTHER PURPOSE WITHOUT THEIR WRITTEN PERMISSION.

TOLERANCES

X. = ±1mm  
X.X = ±0.50mm  
X.XX = ±0.20mm  
X.XXX = ±0.01mm  
ANGLES = ±5°  
UNLESS STATED

MATERIAL:

SEE ABOVE

FINISH:

SEE ABOVE

S/AREA:

mm<sup>2</sup>

TITLE: M80 MALE CONTACT SINGLE-ENDED CABLE ASSEMBLY W/ REVERSE FIX SLOTTED JACKSCREW

DRAWING NUMBER:

**M80-MCXXX68MA-XXXXL**

SHT 2 OF 2