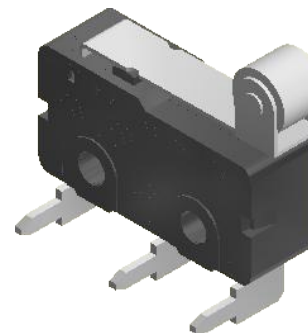
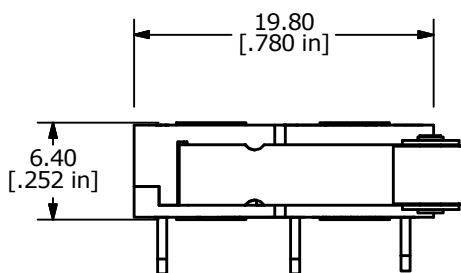
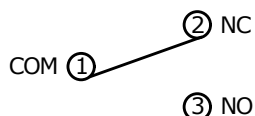


P.C. MOUNTING



O.P. (MM)	P.T. (MM)
14.9 ± 1.0	4.0 MAX

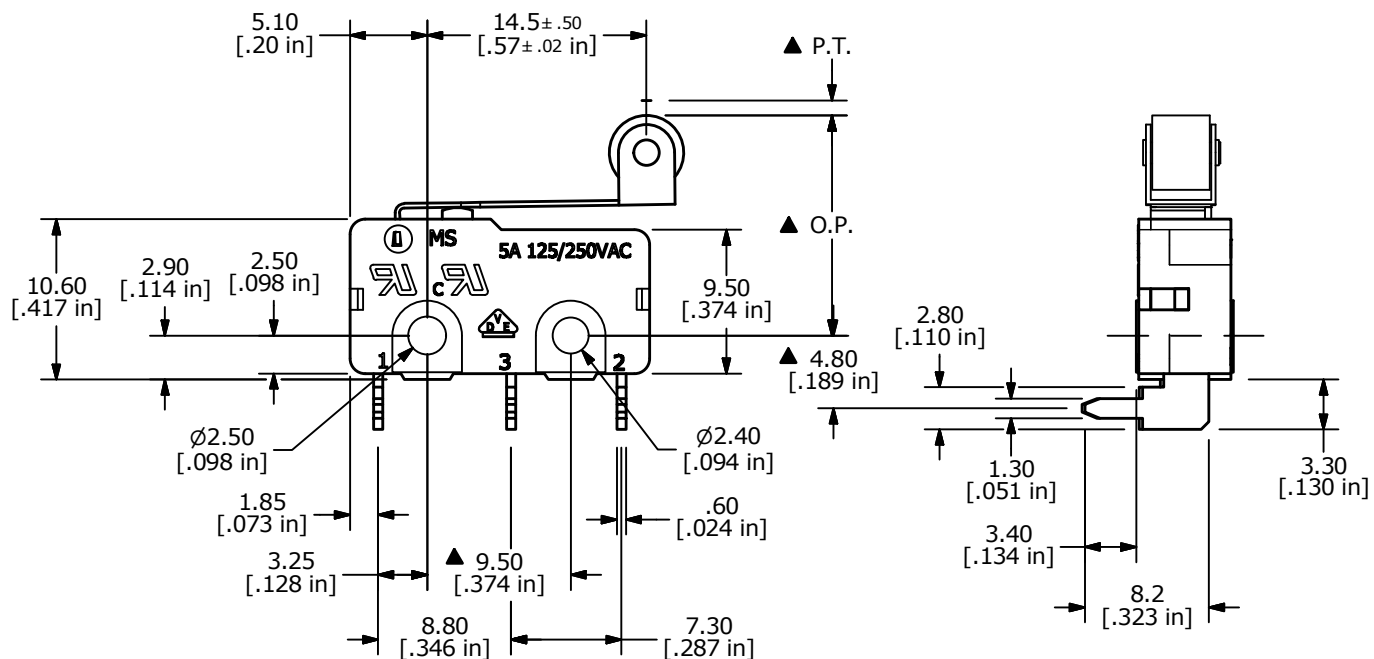
O.P. = OPERATING POINT  
P.T. = PRE-TRAVEL



SCHMATIC - SPDT

NOTES:

1. ALL DIMENSIONS IN MM [INCH]
2. GENERAL TOLERANCE: X.X ± 0.4  
X.XX ± 0.25
- ▲ 3. RATING: 5A @125/250VAC UL, CUL
- ▲ 4. OPERATING FORCE: 40±20 GRAMS
5. OPERATING TEMP: -25°C to 85°C
6. ELECTRICAL LIFE: 50,000 CYCLES MIN.
7. MECHANICAL LIFE: 1,000,000 CYCLES TYP.
8. INSULATION RESISTANCE: 100 MEGA-OHMS
9. DIELECTRIC STRENGTH: 1000VAC 1 MINUTE (INITIAL VALUE)
10. CONTACT RESISTANCE: 100 mΩ MAX.
11. CONTACT MATERIAL: SILVER
12. ▲ DENOTES CRITICAL PARAMETER.
13. 2011/65/EU (ROHS) COMPLIANT



REV	PCR NO	DESCRIPTION	DATE	BY
C	23377	drawing update, PCB mounting update	5/24/18	MW
B	17737	CHANGED CONTACT MATERIAL	10/4/07	BF

E-SWITCH®				
TITLE MS0850505F040V2A				
SCALE	DATE	DR	DWG	REV
2:1	10/4/2007	BF	Q970087	C

THE INFORMATION CONTAINED IN THIS DOCUMENT IS PROPRIETARY TO E-SWITCH AND IS NOT TO BE COPIED OR TRANSFERRED