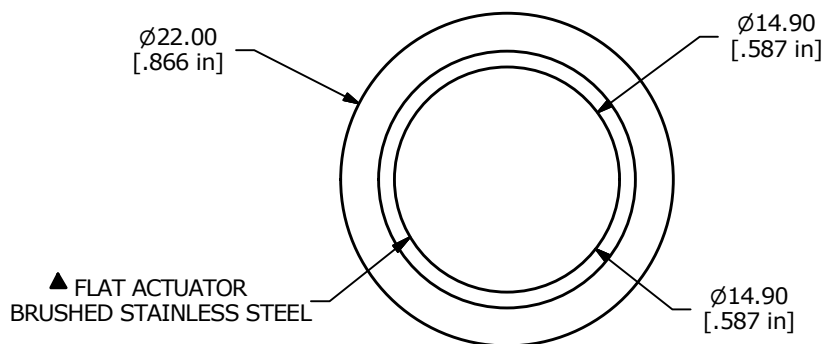
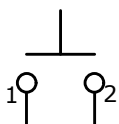


PANEL MOUNTING
MAX. PANEL THICKNESS 8.0mm



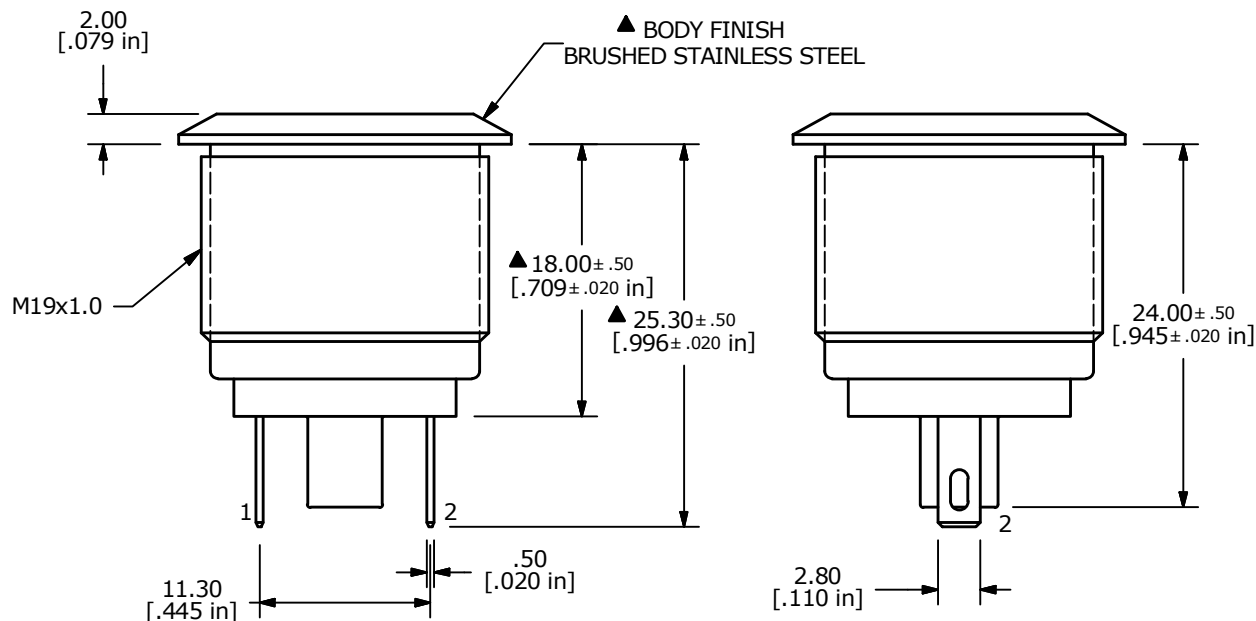
▲ FLAT ACTUATOR
BRUSHED STAINLESS STEEL



▲ CIRCUIT: SPST

SWITCH FUNCTION	
POS. 1	POS. 2
OFF	(ON)
OPEN	1-2

(ON) = MOMENTARY



▲ BODY FINISH
BRUSHED STAINLESS STEEL

- NOTE:
1. ALL DIMENSIONS IN MM [INCH]
 2. GENERAL TOLERANCE: X.X = ± 0.4
X.XX = ± 0.25
 3. TERMINAL NOS. FOR REF. ONLY
 - ▲ 4. FUNCTION: SPST
 - ▲ 5. RATING: 2A @ 36VDC
 6. CONTACT RESISTANCE: 50mΩ MAX. @ 1A 12VDC
 7. INSULATION RESISTANCE: 1,000MΩ @ 500VDC
 8. DIELECTRIC STRENGTH: 2,000VAC MIN. FOR 1 MINUTE
 9. ELECTRICAL LIFE: 200,000 CYCLES
 10. CONTACT MATERIAL: GOLD
 11. OPERATING TEMPERATURE: -20°C TO 55°C
 12. INGRESS PROTECTION: IP65
 13. ▲ DENOTES CRITICAL PARAMETER
 - ▲ 14. HARDWARE INCLUDED: HEX NUT AND O-RING (NOT SHOWN)



C	23592	UPDATED RATING TO 2A @ 36VDC	10/5/18	MJR
B	20870	GOLD WAS SILVER PLATED COPPER	11/7/12	EBP
REV	PCR NO	DESCRIPTION	DATE	BY

TITLE PV1F240BBG				
SCALE	DATE	DR	DWG	REV
2:1	3/6/2012	BGL	52-PV1F240BBG	C

THE INFORMATION CONTAINED IN THIS DOCUMENT IS PROPRIETARY TO E-SWITCH AND IS NOT TO BE COPIED OR TRANSFERRED