

PAGE 1/2

ISSUE 11-04-17

SERIE : SPnT

PART NUMBER : R574F93885

RF CHARACTERISTICS

Number of ways : **8**
 Frequency range : **0 - 26.5 GHz**
 Impedance : **50 Ohms**

| Frequency (GHz) | DC - 3 | 3 - 8 | 8 - 12.4 | 12.4 - 16 | 16 - 18 | 18 - 22 | 22 - 26.5 |
|--------------------|----------------|----------------|----------------|----------------|----------------|----------------|----------------|
| VSWR max | 1.20 | 1.30 | 1.40 | 1.50 | 1.60 | 1.70 | 2.00 |
| Insertion loss max | 0.20 dB | 0.30 dB | 0.40 dB | 0.55 dB | 0.60 dB | 0.70 dB | 1.10 dB |
| Isolation min | 80 dB | 70 dB | 60 dB | 60 dB | 60 dB | 60 dB | 55 dB |
| Average power (*) | 240 W | 150 W | 120 W | 110 W | 100 W | 90 W | 40 W |

TERMINATION IMPEDANCE : **50 Ohms**
 TERM. AVG. POWER AT 25° C : **1 W per termination / 3 W total power**

ELECTRICAL CHARACTERISTICS

Actuator : **LATCHING**
 Nominal current ** : **375 mA**
 Actuator voltage (Vcc) : **28V (24 to 30V)**
 Terminals : **25 pins D-SUB male connector**
 Indicator rating : **1 W / 30 V / 100 mA**
 Self cut-off time : **40 ms < CT < 120 ms**
 BCD inputs (E) - High level : **3.5 to 5.5 V / 800µA at 5.5 V**
 - Low level : **0 to 1.5 V / 20µA at 0.8 V**

MECHANICAL CHARACTERISTICS

Connectors : **SMA female per MIL-C 39012**
 Life : **2 million cycles per position**
 Switching Time*** : **< 50 ms**
 Construction : **Splashproof**
 Weight : **< 280 g**

ENVIRONMENTAL CHARACTERISTICS

Operating temperature range : **-40°C to +85°C**
 Storage temperature range : **-55°C to +85°C**

(* Average power at 25°C per RF Path)

(** At 25° C ±10%)

(*** Nominal voltage ; 25° C)



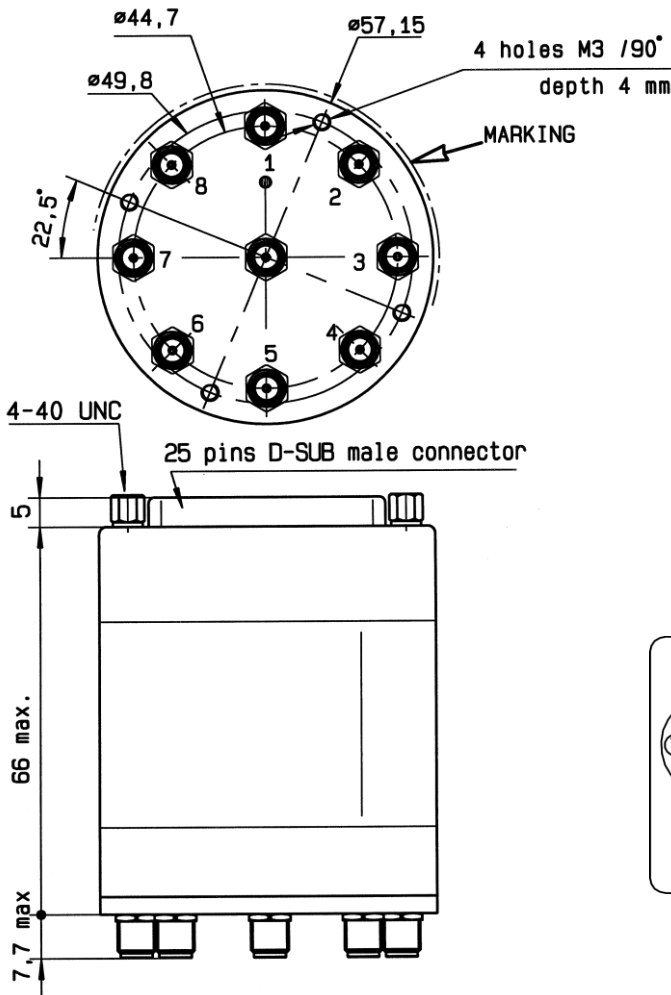
PAGE 2/2

ISSUE 11-04-17

SERIE : SPnT

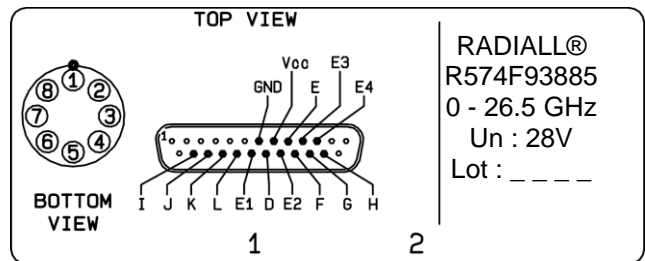
PART NUMBER : R574F93885

DRAWING



| BCD TRUTH TABLE | | | | | |
|-----------------|----|----|----|-------------------------------|------|
| E4 | E3 | E2 | E1 | RF continuity | Ind. |
| 0 | 0 | 0 | 0 | All ports open (Forced Reset) | -- |
| 0 | 0 | 0 | 1 | IN ↔ 1 | D.E |
| 0 | 0 | 1 | 0 | IN ↔ 2 | D.F |
| 0 | 0 | 1 | 1 | IN ↔ 3 | D.G |
| 0 | 1 | 0 | 0 | IN ↔ 4 | D.H |
| 0 | 1 | 0 | 1 | IN ↔ 5 | D.I |
| 0 | 1 | 1 | 0 | IN ↔ 6 | D.J |
| 0 | 1 | 1 | 1 | IN ↔ 7 | D.K |
| 1 | 0 | 0 | 0 | IN ↔ 8 | D.L |

LABEL



General tolerances : $\pm 0,5$ mm [0,02 in]

SCHEMATIC DIAGRAM

