

READERS WITHOUT LED

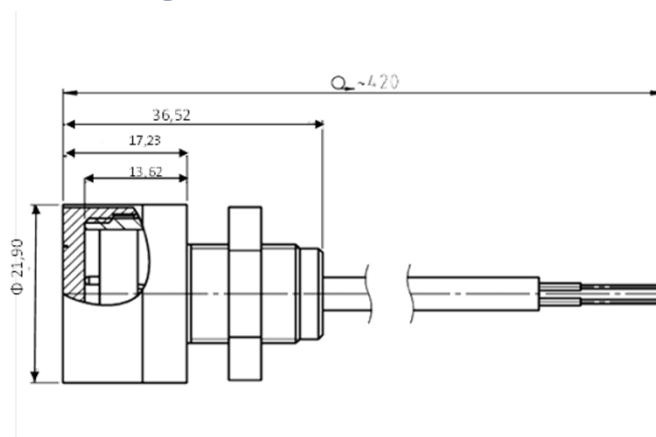
CZ-0-TAH-M12 SS R3/4(xxx)



Plastic casing with stainless steel ring and a threaded plastic cap 3/4"

Three signal spring pins

Standard wire length – 40 cm



Technical data for chromium plated version.

The reader is designer to work with Maxim Dallas chips series DS19xx

| | |
|-------------------------|------------------------------------------------|
| 1.Wires : | White – 1 wire signal Brown - GND |
| 2.Application | Acces control device |
| 3.Casing | Plastic (polyacetal) |
| 4.Ring material | Stainless steel [SUS 316] |
| 5.Signal joint material | Inox |
| 6.Wire | 2*0,25mm ² (technokabel) |
| 7.Fastening method | M12x1 screw |
| 8.Work enviroment | Residential, commercial and lightly industrial |
| 9.Working temperature | From -40 °C to +85 °C |
| 10.Humidity | Up to 70% |