

TABLE OF CONTENTS

SHEET NO.	SHEET DESCRIPTION
1	NOTES
2	KEY CONFIGURATIONS
3	BLADE SEALED ASSEMBLY
4	SYSTEM PACKAGING
5-9	BOM

NOTES: VALID UNLESS OTHERWISE SPECIFIED

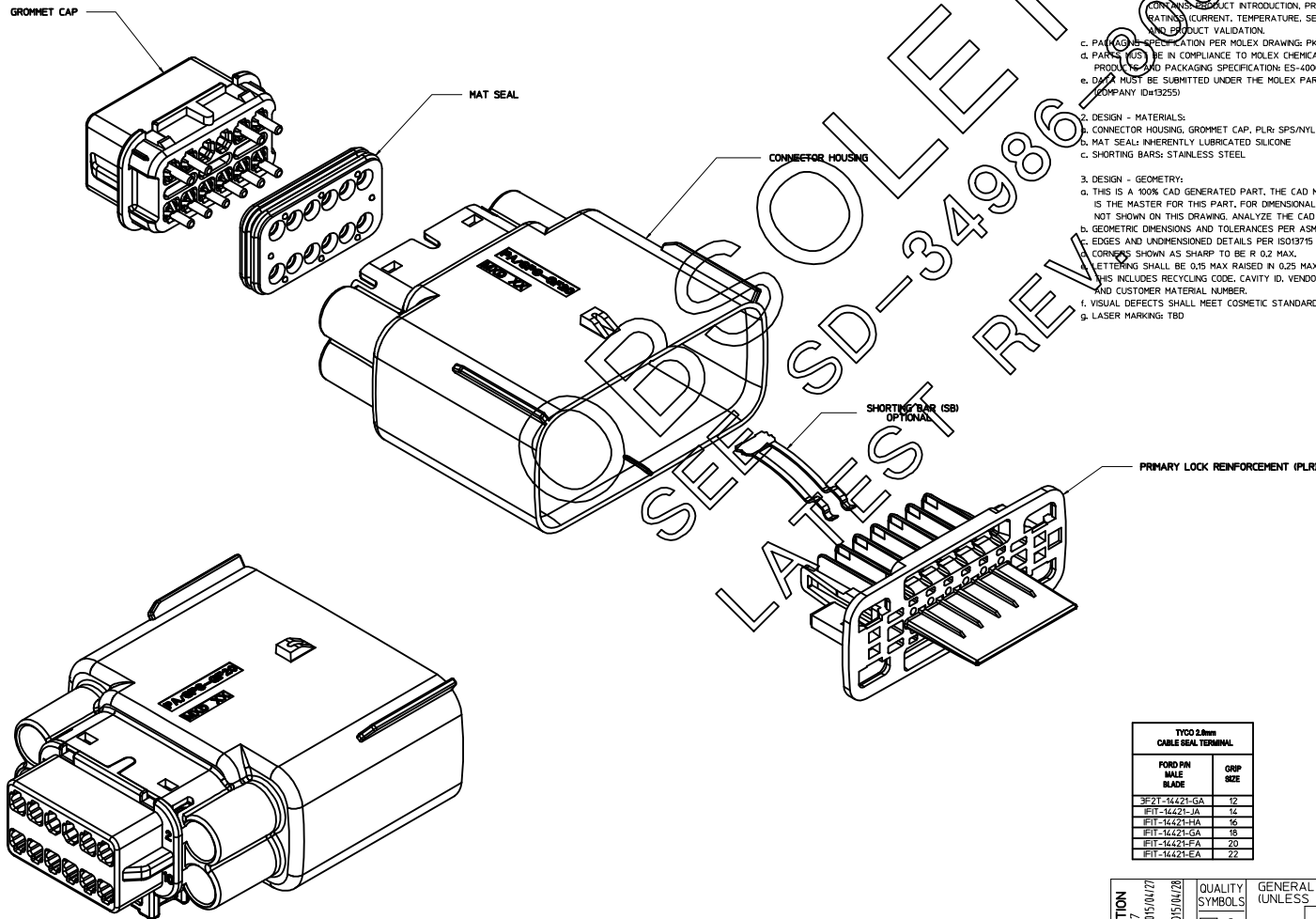
1. GENERAL:
 a. APPLICATION SPECIFICATION SEE: AS-33472-100
 CONTAINS: PRODUCT INTRODUCTION, PRODUCT SUMMARY, CONNECTOR ASSEMBLY, PACKAGING INFORMATION, CONNECTOR MATING, SERVICE INSTRUCTIONS, ELECTRICAL CONTINUITY CHECKING, CRIMPING, AND TROUBLESHOOTING.
 -DESIGNED TO MATE WITH RECEPTACLE SEALED ASSEMBLY SPECIFIED IN MOLEX DRAWING SD-33476-161 AND SD-33476-161 FOR SHORTING BAR APPLICATIONS RECEPTACLE SEALED ASSEMBLY CONFIGURATION MUST CONTAIN A PLR WITH SHORTING BAR LIFTER.
 -FOR 15mm BLADE TERMINALS TO BE USED WITH THE SHORTING BAR CIRCUIT LOCATIONS SEE MOLEX DRAWING SD-31296-001.
 -SHORTING BAR TERMINALS TO BE USED WITH WIRE WITHIN DIAMETER RANGE OF 1.7mm TO 2.06mm.
 -SHORTING BAR TERMINAL CRIMP ANGLE MUST BE BETWEEN -14 DEG. AND +35 DEG. AFTER INSTALLATION INTO THE CONNECTOR ASSEMBLY. REFER TO MOLEX DRAWING SD-31296-001 FOR DETAILS.
 -FOR 15mm BLADE TERMINALS TO BE USED WITH THE NON-SHORTING BAR CIRCUIT LOCATIONS SEE MOLEX DRAWING SD-33000-004.
 -NON-SHORTING BAR TERMINALS TO BE USED WITH WIRE WITHIN DIAMETER RANGE OF 1.4mm TO 2.69mm.
 -FOR 2.8mm BLADE TERMINALS TO BE USED WITH THIS ASSEMBLY SEE TABLE.
 -2.8mm TERMINALS TO BE USED WITH WIRE WITHIN DIAMETER RANGE OF 150mm TO 330mm.
 -ASSEMBLY SHIPPED WITH PLR IN PRE-LOCK POSITION
 -IN THE EVENT THAT THE PLR IS FOUND IN THE SEATED (FINAL LOCK) POSITION, REFER TO MOLEX SPECIFICATION PS-34666-001, AVAILABLE AT www.molex.com OR <http://www.molex.com>
 -ASSEMBLY CONFORMS TO SAE/USCAR-2 REV.4 WITH THE FOLLOWING EXCEPTIONS:
 -TERMINAL INSERTION FORCE FOR WIRE DIAMETER ABOVE 25mm NOT EXCEEDING 2.69mm SHALL EXCEED 5 NEWTONS.
 -PLR REMOVAL FROM FINAL-LOCK TO PRE-LOCK SHALL NOT EXCEED 75 NEWTONS.

b. PRODUCT SPECIFICATION SEE: PS-33476-000
 CONTAINS: PRODUCT INTRODUCTION, PRODUCT SUMMARY, RATINGS (CURRENT, TEMPERATURE, SEALING, AND FLAMMABILITY), AND PRODUCT VALIDATION.

c. PARTS IDENTIFICATION PER MOLEX DRAWING PK-31300-514
 d. PARTS MUST BE IN COMPLIANCE TO MOLEX CHEMICAL SUBSTANCES FOR PRODUCTION AND PACKAGING SPECIFICATION: ES-40000-5016
 e. DATA MUST BE SUBMITTED UNDER THE MOLEX PART NUMBER TO IMDS (COMPANY ID#13255)

2. DESIGN - MATERIALS:
 a. CONNECTOR HOUSING, GROMMET CAP, PLR: SPS/NYLON BLEND 20% GLASS FILLED
 b. MAT SEAL: INHERENTLY LUBRICATED SILICONE
 c. SHORTING BARS: STAINLESS STEEL

3. DESIGN - GEOMETRY:
 a. THIS IS A 100% CAD GENERATED PART, THE CAD MATHEMATICAL DATA IS THE MASTER FOR THIS PART, FOR DIMENSIONAL OR ANY INFORMATION NOT SHOWN ON THIS DRAWING, ANALYZE THE CAD MODEL.
 b. GEOMETRIC DIMENSIONS AND TOLERANCES PER ASME Y14.5M - 1994 EDGES AND UNDERMENSIONED DETAILS PER ISO15715 CORNERS SHOWN AS SHARP TO BE 0.2 MAX.
 LETTERING SHALL BE 0.15 MAX RAISED IN 0.25 MAX RECESS PAD.
 THIS INCLUDES RECYCLING CODE, CAVITY ID, VENDOR IDENTIFICATION, AND CUSTOMER MATERIAL NUMBER.
 f. VISUAL DEFECTS SHALL MEET COSMETIC STANDARD PS-45499-002 (Class B)
 g. LASER MARKING: TBD



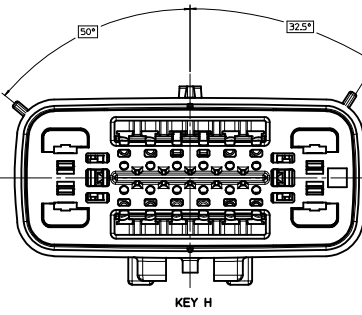
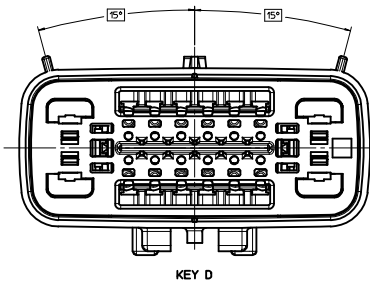
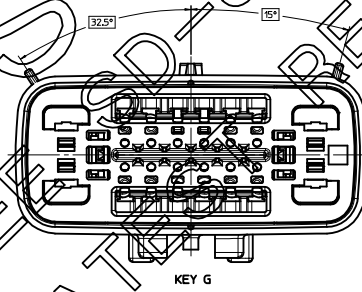
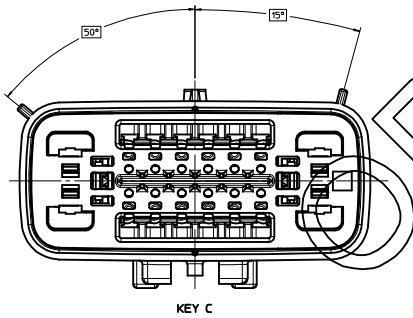
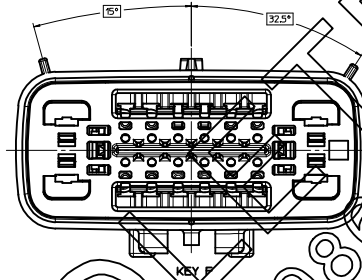
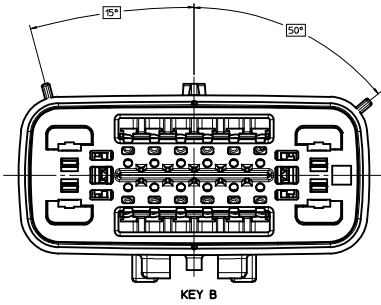
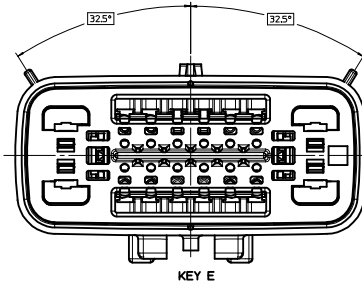
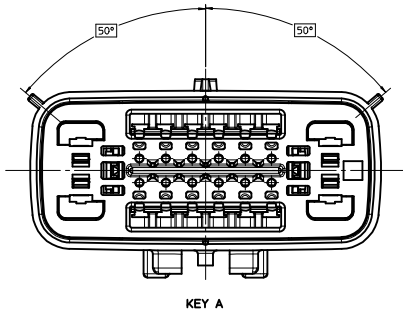
TYCO 2.8mm CABLE SEAL TERMINAL		
FORD P/N	MALE BLADE	GRP SIZE
3P21-1421-GA	12	
3P21-1421-MA	14	
3P21-1421-PA	16	
3P21-1421-GA	18	
3P21-1421-PA	20	
3P21-1421-GA	22	

INSPECTION NUMBER LOG
 LAST NUMBER USED:
 ADDED:
 REMOVED:

CJ	OBSOLETE DRAWING
CH	ADD NEW P/N 33486-2047 THRU 33486-2103
CG	UPDATED STATUS AND COMMENTS COLUMNS
CF	ADD NEW P/N 33486-2045 33486-2046
	ADD NEW P/N 33486-2039 33486-2040
CE	33486-2041 33486-2044
	33486-2043 33486-2044
CC	ADD NEW P/N 33486-2036 33486-2037
CB	ADD NEW P/N 33486-2033 33486-2034
	33486-2035
CA	RE-FORMATTED BOM TABLES
B23	ADD NEW P/N 33486-2030 33486-2031
	33486-2032
B22	ADD NEW P/N 33486-2029
B21	UPDATED DIMENSIONS TO MATCH MODEL
BZ	ADD NEW P/N 33486-2027 33486-2028
BY	ADD NEW P/N 33486-2025 33486-2026
	ADD NEW P/N 33486-2019 33486-2020
BX	33486-2021 33486-2022
	33486-2023 33486-2024
BW	REWORK
REV	DESCRIPTION
SCALE	4:1
DESIGN UNITS	METRIC
THIRD ANGLE PROJECTION	⊙

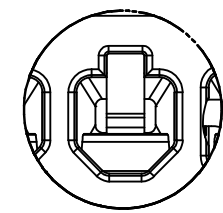
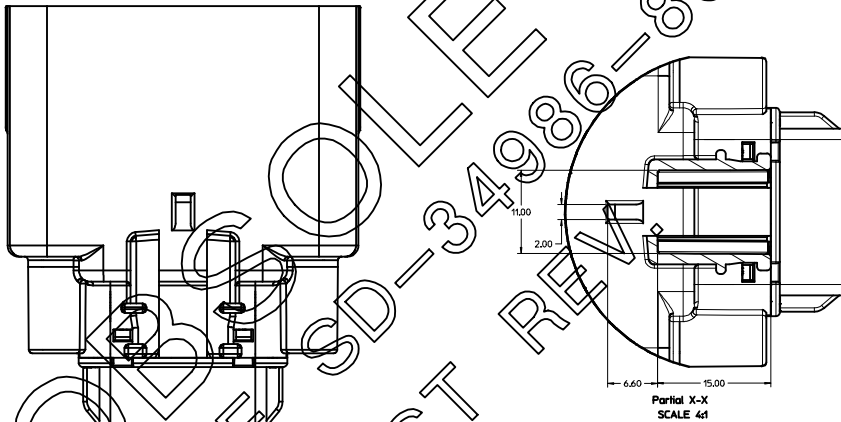
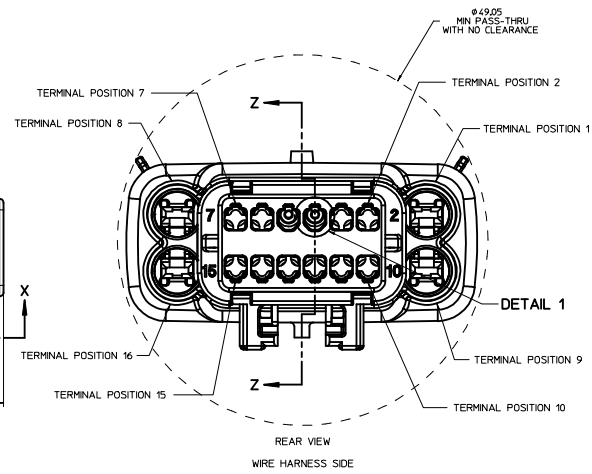
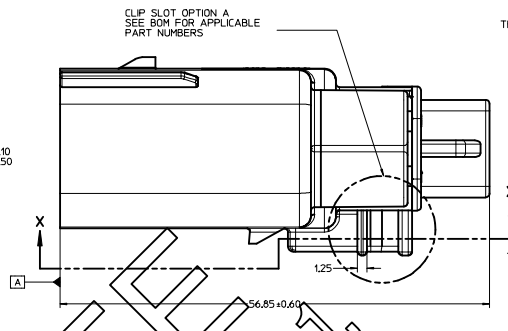
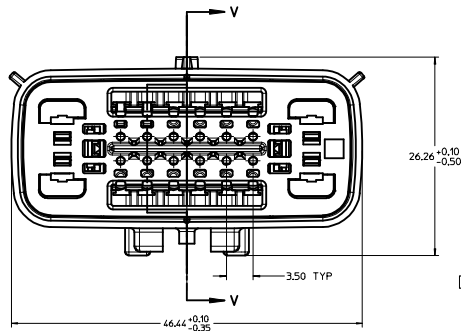
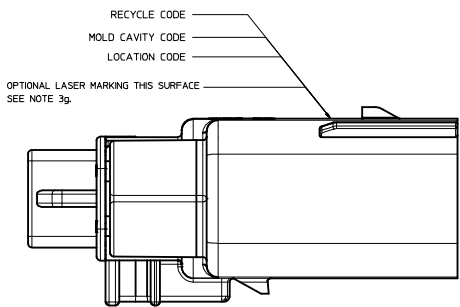
ENTER DESCRIPTION	QUALITY SYMBOLS	GENERAL TOLERANCES (UNLESS SPECIFIED)		DIMENSION STYLE	
		mm	INCH	MM ONLY	DATE
4 PLACES ±	▽=0	±	---	JWESLEY	06-16-02
3 PLACES ±	▽=0	±	---	CHECKED BY	DATE
2 PLACES ±	▽=0	±	---	DGRIFFITHS	07-09-02
1 PLACE ±	▽=0	±	---	APPROVED BY	DATE
0 PLACE ±	▽=0	±	---	WKOSHY	2010/12/08
DRAFT WHERE APPLICABLE MUST REMAIN WITHIN DIMENSIONS		ANGULAR ± 3°		MATERIAL NO.	
SEE BOM		SIZE		DOCUMENT NO.	

SD-33486-161	SHEET NO. OF 9
THIS DRAWING CONTAINS INFORMATION THAT IS PROPRIETARY TO MOLEX INCORPORATED AND SHOULD NOT BE USED WITHOUT WRITTEN PERMISSION	
molex	

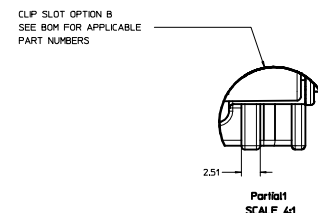
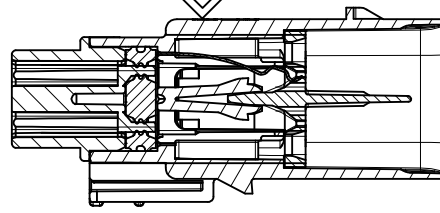
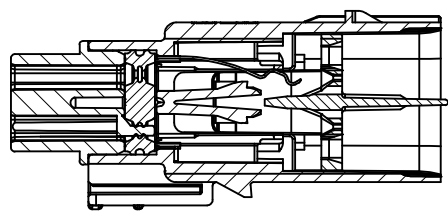


BSO 34986-8001
 LATEST REV.

ENTER DESCRIPTION EC NO: UAU205-467 DRAWN BY: JMW CHECKED BY: DGR APPROVED BY: VK DATE: 2015/04/28	QUALITY SYMBOLS ▽=0 ▽=1 ▽=2	GENERAL TOLERANCES (UNLESS SPECIFIED) mm INCH 4 PLACES ± --- ± --- 3 PLACES ± --- ± --- 2 PLACES ± 0.10 ± --- 1 PLACE ± 0.3 ± --- 0 PLACE ± ±	DIMENSION STYLE MM ONLY	SCALE 4:1	DESIGN UNITS METRIC	THIRD ANGLE PROJECTION
	ANGLAR ± 3 °	DRAFT WHERE APPLICABLE MUST REMAIN WITHIN DIMENSIONS	DRAWN BY: JMWESLEY DATE: 06-16-02 CHECKED BY: DGR DATE: 07-09-02 APPROVED BY: VKOSHY DATE: 2010/12/08	MATERIAL NO. SEE BOM	DOCUMENT NO. SD-33486-161	SHEET NO. 2 OF 9
	MX150 16 WAY HYBRID BLADE SEALED ASSEMBLY					
	molex					

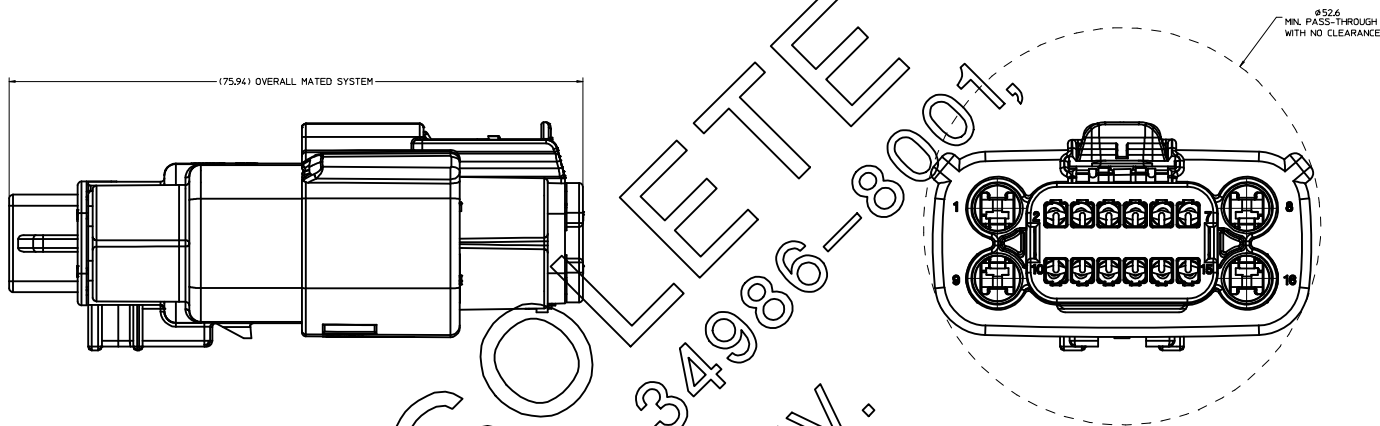


DETAIL 1
SCALE 20:1



ENTER DESCRIPTION EC NO. UAU2015-167 DRAWING/PROFIT 2015/04/27 APPR. WOSNY REV. 2015/04/28	QUALITY SYMBOLS ▽=0 ▽=0 ▽=0	GENERAL TOLERANCES (UNLESS SPECIFIED) <table border="1"> <tr> <th></th> <th>mm</th> <th>INCH</th> </tr> <tr> <td>4 PLACES</td> <td>± 0.10</td> <td>± 0.004</td> </tr> <tr> <td>3 PLACES</td> <td>± 0.15</td> <td>± 0.006</td> </tr> <tr> <td>2 PLACES</td> <td>± 0.20</td> <td>± 0.008</td> </tr> <tr> <td>1 PLACE</td> <td>± 0.3</td> <td>± 0.012</td> </tr> <tr> <td>0 PLACE</td> <td>±</td> <td>±</td> </tr> </table> ANGULAR ± 3° DRAFT WHERE APPLICABLE MUST REMAIN WITHIN DIMENSIONS		mm	INCH	4 PLACES	± 0.10	± 0.004	3 PLACES	± 0.15	± 0.006	2 PLACES	± 0.20	± 0.008	1 PLACE	± 0.3	± 0.012	0 PLACE	±	±	DIMENSION STYLE MM ONLY DRAWN BY JWESLEY DATE 06-16-02 CHECKED BY DATE DGRIFITHS 07-09-02 APPROVED BY DATE WKOSHY 2010/12/08	SCALE 4:1 DESIGN UNITS METRIC THIRD ANGLE PROJECTION	MATERIAL NO. SEE BOM DOCUMENT NO. SD-33486-161	SHEET NO. 3 OF 9
		mm	INCH																					
	4 PLACES	± 0.10	± 0.004																					
	3 PLACES	± 0.15	± 0.006																					
2 PLACES	± 0.20	± 0.008																						
1 PLACE	± 0.3	± 0.012																						
0 PLACE	±	±																						
THIS DRAWING CONTAINS INFORMATION THAT IS PROPRIETARY TO MOLEX INCORPORATED AND SHOULD NOT BE USED WITHOUT WRITTEN PERMISSION																								
molex																								
Ib_frame_E_P_AM_T Rev. G 2012/01/11																								

SEE LATEST REV. SD-34986-8001



OBSOLETE
SEE SD-34986-8001
LATEST REV.

ENTER DESCRIPTION EC NO: UAU205-167 DRAWN BY: TIT 2015/04/27 APPR: WOSHY 2015/04/28 REV:	QUALITY SYMBOLS	$\nabla=0$	$\nabla=0$	$\nabla=0$	$\nabla=0$	$\nabla=0$	$\nabla=0$	
	GENERAL TOLERANCES (UNLESS SPECIFIED)		DIMENSION STYLE		SCALE		DESIGN UNITS	
	mm INCH		MM ONLY		4:1		METRIC	
	4 PLACES ± --- ± ---		DRAWN BY DATE		JWESLEY 06-16-02		TITLE	
3 PLACES ± --- ± ---		CHECKED BY DATE		DGRIFITHS 07-09-02		MX150 16 WAY HYBRID BLADE SEALED ASSEMBLY		
2 PLACES ± 0.10 ± ---		APPROVED BY DATE		VKOSHY 2010/12/08		molex DOCUMENT NO. SD-33486-161 SHEET NO. 4 OF 9		
1 PLACE ± 0.3 ± ---		MATERIAL NO.		SEE BOM				
0 PLACE ± ±		ANGULAR ± 3 °		DRAFT WHERE APPLICABLE MUST REMAIN WITHIN DIMENSIONS		THIS DRAWING CONTAINS INFORMATION THAT IS PROPRIETARY TO MOLEX INCORPORATED AND SHOULD NOT BE USED WITHOUT WRITTEN PERMISSION		

Main BOM table with columns for part numbers, descriptions, and quantities. Includes a large watermark 'SD-34986-8001' and 'LETTEL'.

PLANNED OBSOLESCENCE
SER. DRAWING SD-34986-8001
FOR REPLACEMENT P/N

NEW SERIES NUMBER IS 34986
DATE 01/03/08

TABLE LEGEND
ABBREVIATION COMPONENT
A HOUSING KEY A
B HOUSING KEY B
C HOUSING KEY C
D HOUSING KEY D
E HOUSING KEY E
F HOUSING KEY F
G HOUSING KEY G
H HOUSING KEY H
GCS STANDARD GROMMET CAP
SB SHORTING BAR

STATUS COMMENTS
BLOCKED TERMINAL
CAVITY WITH AN "X" INDICATES BLOCKED TERMINAL POSITION
CAVITY WITHOUT AN "X" INDICATES OPEN TERMINAL POSITION
CAVITY WITH AN "SB" INDICATES SHORTING BAR CAVITY

COMPONENTS TABLE
FLR NATURAL SPS/NYLON GF20
MAT SEAL ROYAL BLUE INHERENTLY LUBRICATED SILICONE
SHORTING BAR GOLD PL 30100 STAINLESS STEEL
SHORTING BAR GROMMET CAP 5 BLACK SPS/NYLON GF20
SHORTING BAR GROMMET CAP 4 BLACK SPS/NYLON GF20
SHORTING BAR GROMMET CAP 3 BLACK SPS/NYLON GF20
SHORTING BAR GROMMET CAP 2 BLACK SPS/NYLON GF20
SHORTING BAR GROMMET CAP 1 BLACK SPS/NYLON GF20
STANDARD GROMMET CAP BLACK SPS/NYLON GF20
HOUSING KEYING OPTION D ST GRAY SPS/NYLON GF20 A
HOUSING KEYING OPTION C DARK GRAY SPS/NYLON GF20 A
HOUSING KEYING OPTION A YELLOW SPS/NYLON GF20 A
HOUSING KEYING OPTION H YELLOW SPS/NYLON GF20 A
HOUSING KEYING OPTION G BROWN SPS/NYLON GF20 A
HOUSING KEYING OPTION F LIGHT GRAY SPS/NYLON GF20 B
HOUSING KEYING OPTION E BLACK SPS/NYLON GF20 A
HOUSING KEYING OPTION D GREEN SPS/NYLON GF20 A
HOUSING KEYING OPTION C BROWN SPS/NYLON GF20 A
HOUSING KEYING OPTION B LIGHT GRAY SPS/NYLON GF20 A
HOUSING KEYING OPTION A BLACK SPS/NYLON GF20 A

ENTER DESCRIPTION EC NO. 040205-607 DRAWN BY JWESLEY DATE 06-16-02 CHECKED BY DATE DGR IFFI THS DATE 07-09-02 APPROVED BY DATE 2010/12/08 MATERIAL NO. DOCUMENT NO. SD-33486-161 SHEET NO. 7 OF 9
QUALITY SYMBOLS GENERAL TOLERANCES (UNLESS SPECIFIED) DIMENSION STYLE MM ONLY SCALE 2:1 DESIGN UNITS METRIC THIRD ANGLE PROJECTION
4 PLACES ± .05 ± .05 ± .05 ± .05
3 PLACES ± .05 ± .05 ± .05 ± .05
2 PLACES ± 0.10 ± .05 ± .05 ± .05
1 PLACE ± 0.3 ± .05 ± .05 ± .05
0 PLACE ± ± ± ±
ANGULAR ± 3 °
DRAFT DRAWING APPLICABLE MUST REMAIN WITHIN DIMENSIONS SEE BOM THIS DRAWING CONTAINS INFORMATION THAT IS PROPRIETARY TO MOLEX INCORPORATED AND SHOULD NOT BE USED WITHOUT WRITTEN PERMISSION

KEY	DESCRIPTION	ASSEMBLY PART NUMBER	QTY	STATUS	COMMENTS
KEY H, YELLOW	33486-2103	A			
KEY A, BLACK	33486-2102	A			
KEY A, BLACK	33486-2101	A			
KEY B, LIGHT GRAY	33486-2100	B			
KEY A, YELLOW	33486-2099	A			
KEY A, YELLOW	33486-2098	A			
KEY A, BLACK	33486-2097	A			
KEY A, BLACK	33486-2096	A			
KEY A, BLACK	33486-2095	A			
KEY A, BLACK	33486-2094	A			
KEY A, BLACK	33486-2093	A			
KEY B, LIGHT GRAY	33486-2092	B			
KEY B, LIGHT GRAY	33486-2091	B			
KEY A, BLACK	33486-2090	A			
KEY A, BLACK	33486-2089	A			
KEY A, BLACK	33486-2088	A			
KEY B, LIGHT GRAY	33486-2087	B			
KEY A, BLACK	33486-2086	A			
KEY A, BLACK	33486-2085	A			
KEY A, BLACK	33486-2084	A			
KEY A, BLACK	33486-2083	A			
KEY A, BLACK	33486-2082	A			
KEY A, BLACK	33486-2081	A			
KEY B, LIGHT GRAY	33486-2080	B			
KEY B, LIGHT GRAY	33486-2079	B			
KEY A, BLACK	33486-2078	A			
KEY A, BLACK	33486-2077	A			
KEY A, BLACK	33486-2076	A			
KEY A, BLACK	33486-2075	A			
KEY F, W/ SB, LIGHT GRAY	33486-2074	F			
KEY F, W/ SB, LIGHT GRAY	33486-2073	F			
KEY A, BLACK	33486-2072	A			
KEY A, BLACK	33486-2071	A			
KEY A, BLACK	33486-2070	A			
KEY A, BLACK	33486-2069	A			
KEY A, BLACK	33486-2068	A			
KEY A, BLACK	33486-2067	A			
KEY F, W/ SB, LIGHT GRAY	33486-2066	F			
KEY F, LIGHT GRAY	33486-2065	F			
KEY A, BLACK	33486-2064	A			
KEY F, W/ SB, LIGHT GRAY	33486-2063	F			
KEY F, W/ SB, LIGHT GRAY	33486-2062	F			
KEY A, BLACK	33486-2061	A			
KEY A, BLACK	33486-2060	A			
KEY B, LIGHT GRAY	33486-2059	B			
KEY B, LIGHT GRAY	33486-2058	B			
KEY A, BLACK	33486-2057	A			
KEY A, BLACK	33486-2056	A			
KEY A, BLACK	33486-2055	A			
KEY A, BLACK	33486-2054	A			
KEY A, BLACK	33486-2053	A			
KEY A, BLACK	33486-2052	A			
KEY A, BLACK	33486-2051	A			
KEY A, BLACK	33486-2050	A			
KEY A, BLACK	33486-2049	A			
KEY A, BLACK	33486-2048	A			
KEY A, BLACK	33486-2047	A			
KEY F, W/ SB, LIGHT GRAY	33486-2046	F			
KEY F, LIGHT GRAY	33486-2045	F			
KEY A, BLACK	33486-2044	A			
KEY A, BLACK	33486-2043	A			
KEY A, BLACK	33486-2042	A			
KEY A, BLACK	33486-2041	A			
KEY A, BLACK	33486-2040	A			
KEY A, BLACK	33486-2039	A			
KEY A, BLACK	33486-2037	A			
KEY A, BLACK	33486-2036	A			
KEY A, BLACK	33486-2035	A			
KEY A, BLACK	33486-2034	A			
KEY A, BLACK	33486-2033	A			
KEY B, LIGHT GRAY	33486-2032	B			
KEY B, LIGHT GRAY	33486-2031	B			
KEY B, LIGHT GRAY	33486-2030	B			
KEY A, BLACK	33486-2029	A			
KEY A, BLACK	33486-2028	A			
KEY A, BLACK	33486-2027	A			
KEY A, BLACK	33486-2026	A			
KEY A, BLACK	33486-2025	A			
KEY A, BLACK	33486-2024	A			
KEY A, BLACK	33486-2023	A			
KEY A, BLACK	33486-2022	A			
KEY A, BLACK	33486-2021	A			
KEY A, BLACK	33486-2020	A			
KEY A, BLACK	33486-2019	A			
KEY A, BLACK	33486-2018	A			
KEY B, LIGHT GRAY	33486-2017	B			
KEY B, LIGHT GRAY	33486-2016	B			
KEY B, LIGHT GRAY	33486-2015	B			
KEY A, BLACK	33486-2014	A			
KEY B, LIGHT GRAY	33486-2013	B			
KEY A, BLACK	33486-2012	A			
KEY A, BLACK	33486-2011	A			
KEY H, YELLOW	33486-2010	A			

PLANNED OBSOLESCENCE
SEE DRAWING SD-34986-8001
FOR REPLACEMENT P/N

NEW SERIES NUMBER IS 34986
SAME SUFFIX

REPLACEMENT PART
SEE DRAWING SD-34986-8001
REV. 01

ABBREVIATION	COMPONENT
A	HOUSING KEY A
B	HOUSING KEY B
C	HOUSING KEY C
D	HOUSING KEY D
E	HOUSING KEY E
F	HOUSING KEY F
G	HOUSING KEY G
H	HOUSING KEY H
GCS	STANDARD GROMMET CAP
SB	SHORTING BAR

CAVITY WITH AN "X" INDICATES BLOCKED TERMINAL POSITION
CAVITY WITHOUT AN "X" INDICATES OPEN TERMINAL POSITION
CAVITY WITH AN "SB" INDICATES SHORTING BAR CAVITY

PLR	NATURAL	SPS/NYLON GF20
MAT SEAL	ROYAL BLUE	INHERENTLY LUBRICATED SILICONE
SHORTING BAR	GOLD PL	30100 STAINLESS STEEL
SHORTING BAR GROMMET CAP 5	BLACK	SPS/NYLON GF20
SHORTING BAR GROMMET CAP 1	BLACK	SPS/NYLON GF20
SHORTING BAR GROMMET CAP 3	BLACK	SPS/NYLON GF20
SHORTING BAR GROMMET CAP 2	BLACK	SPS/NYLON GF20
SHORTING BAR GROMMET CAP 1	BLACK	SPS/NYLON GF20
STANDARD GROMMET CAP	BLACK	SPS/NYLON GF20
HOUSING KEYING OPTION D	ST GRAY	SPS/NYLON GF20
HOUSING KEYING OPTION C	DARK GRAY	SPS/NYLON GF20
HOUSING KEYING OPTION J	YELLOW	SPS/NYLON GF20
HOUSING KEYING OPTION H	YELLOW	SPS/NYLON GF20
HOUSING KEYING OPTION G	BROWN	SPS/NYLON GF20
HOUSING KEYING OPTION F	LIGHT GRAY	SPS/NYLON GF20
HOUSING KEYING OPTION E	BLACK	SPS/NYLON GF20
HOUSING KEYING OPTION D	GREEN	SPS/NYLON GF20
HOUSING KEYING OPTION C	BROWN	SPS/NYLON GF20
HOUSING KEYING OPTION B	LIGHT GRAY	SPS/NYLON GF20
HOUSING KEYING OPTION A	BLACK	SPS/NYLON GF20

ENTER DESCRIPTION EC NO: 040205-607 DRAWN BY: JMW CHECKED BY: JMW DATE: 2015/04/27 APPR: WOSHY DATE: 2015/04/28	QUALITY SYMBOLS 0.05 0.10 0.20	GENERAL TOLERANCES (UNLESS SPECIFIED) mm INCH 4 PLACES ± 0.10 ± 0.004 3 PLACES ± 0.15 ± 0.005 2 PLACES ± 0.20 ± 0.008 1 PLACE ± 0.30 ± 0.012 0 PLACE ± 0.50 ± 0.020	DIMENSION STYLE MM ONLY DRAWN BY: JMW DATE: 06-16-02 CHECKED BY: JMW DATE: 07-09-02 APPROVED BY: WOSHY DATE: 2010/12/08	SCALE 2:1 DESIGN UNITS METRIC THIRD ANGLE PROJECTION	MATERIAL NO. SD-33486-161 DOCUMENT NO.	SHEET NO. 9 OF 9
	DRAFT WHERE APPLICABLE MUST REMAIN WITHIN DIMENSIONS					
	THIS DRAWING CONTAINS INFORMATION THAT IS PROPRIETARY TO MOLEX INCORPORATED AND SHOULD NOT BE USED WITHOUT WRITTEN PERMISSION					
	MOLEX					