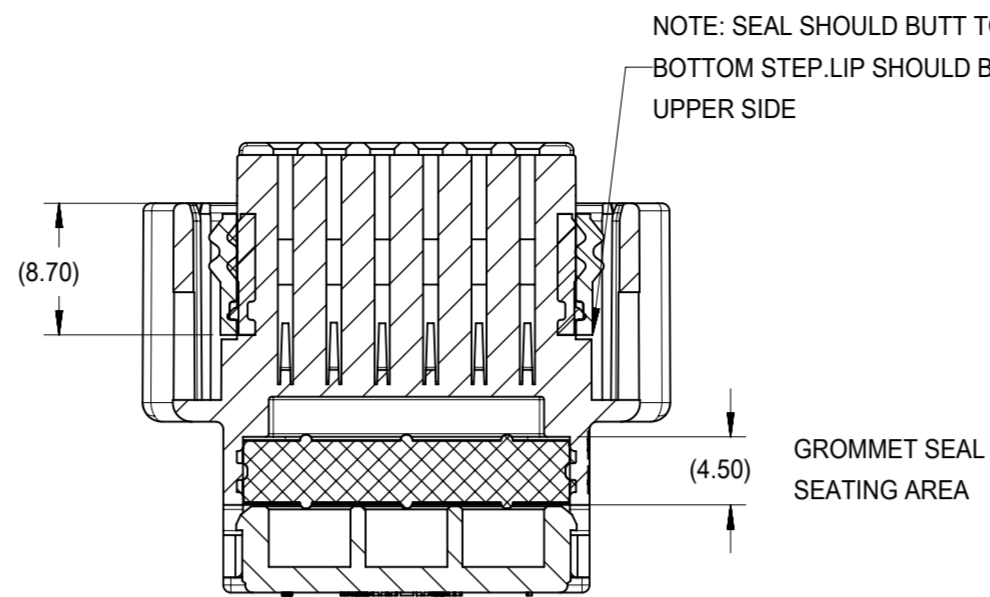


NOTE: GROMMET CAP LOCK SHOULD PROPERLY ENGAGE WITH HOUSING SLOT



NOTE: SEAL SHOULD BUTT TO BOTTOM STEP. LIP SHOULD BE UPPER SIDE

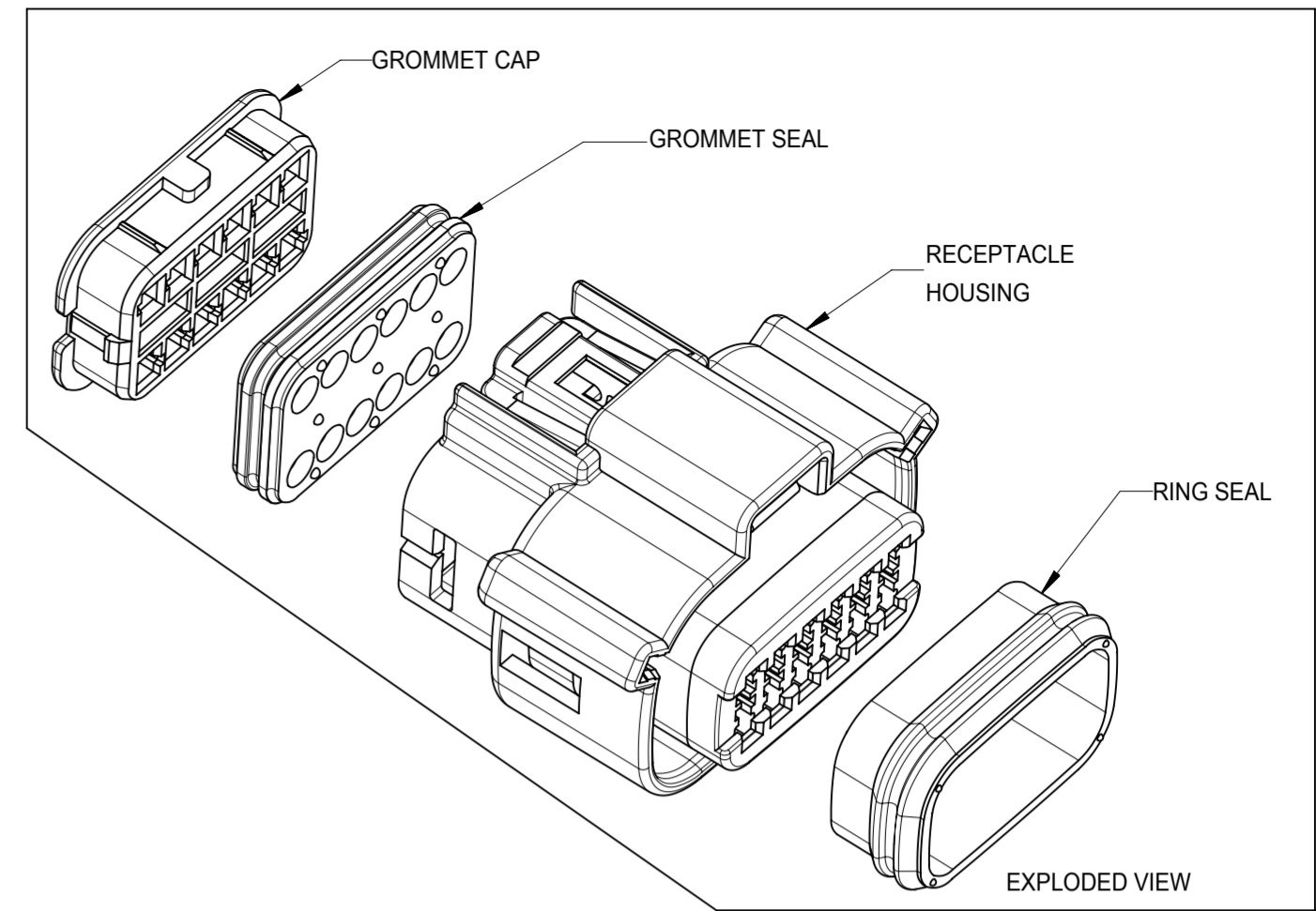


TABLE B

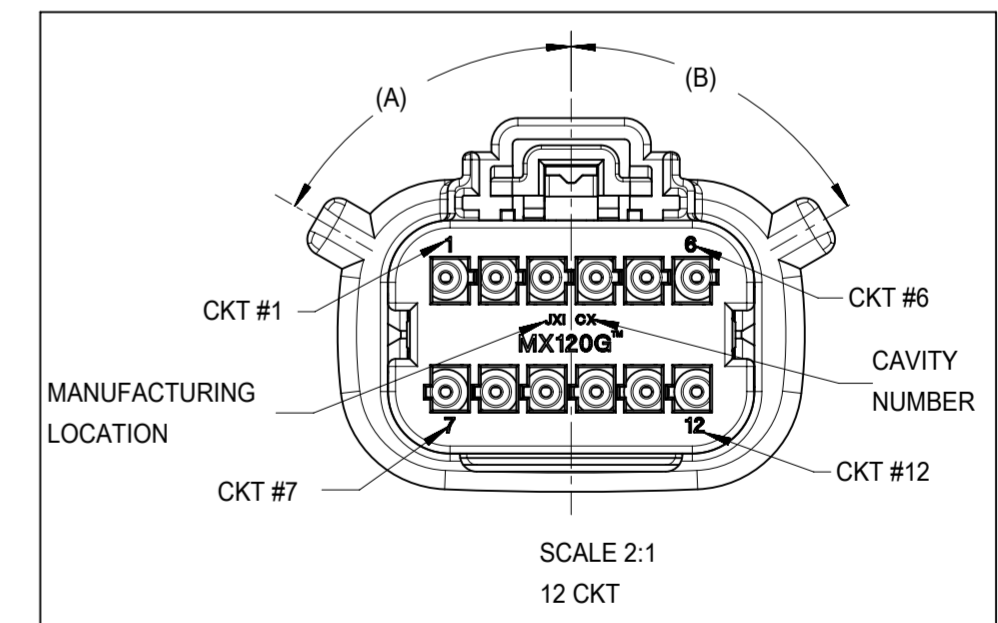
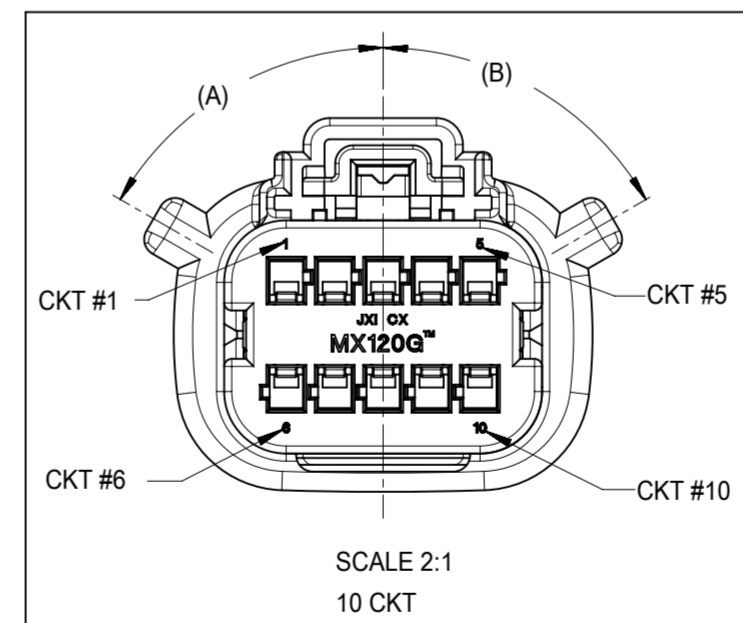
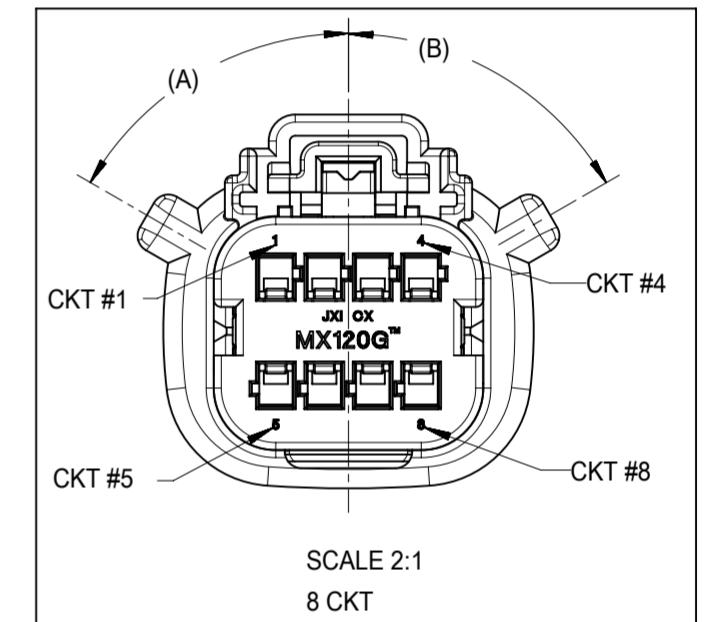
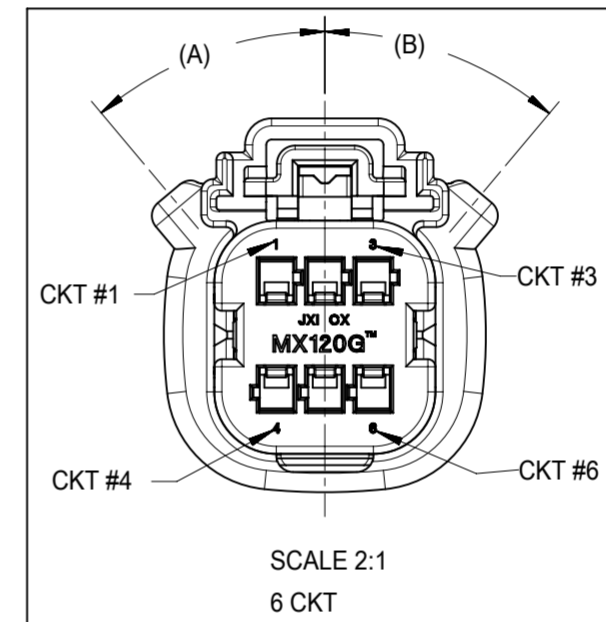
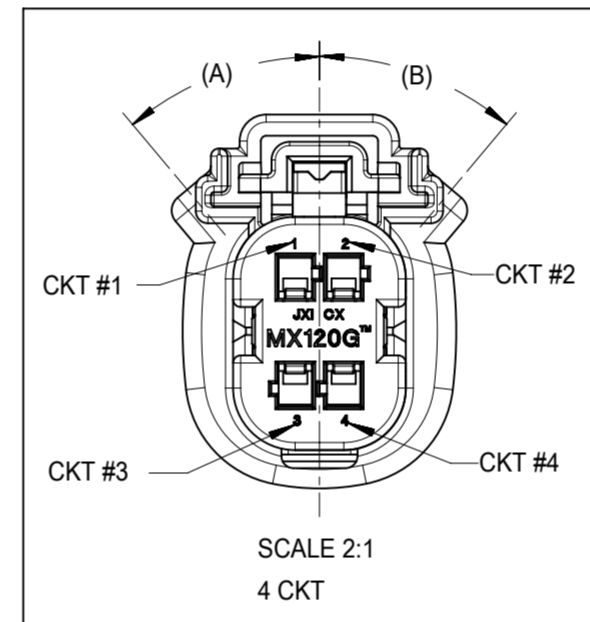
PART #	PART DESCRIPTION	MATERIAL	COLOR
367830009	GROMMET CAP	HB RATED 30% GALSS FILLED NYLON	RESIN: BLACK
367830010	RING SEAL	SILICON RUBBER	RUST RED
367830011	GROMMET SEAL	SILICON RUBBER	LIGHT BLUE
367830008	RECEPTACLE HOUSING	HB RATED 30% GALSS FILLED NYLON	RESIN: BLACK
367830022	RECEPTACLE HOUSING	HB RATED 30% GALSS FILLED NYLON	RESIN: GREY

TABLE A

PART#	COLOR	CKT SIZE	KEYING DIMENSION		DIMENSION	TOOLING STATUS
			(A)	(B)		
367920401	BLACK	4	40°	40°	19.54	PROTO TOOLING AVAILABLE
367920601		6	40°	40°	22.87	TO BE TOOLED
367920801		8	60°	60°	27.89	TO BE TOOLED
367921001		10	60°	60°	31.59	TO BE TOOLED
367921201		12	60°	60°	34.89	PRODUCTION TOOLING AVAILABLE
367921206	GREY	12	60°	60°	34.89	PRODUCTION TOOLING AVAILABLE

NOTE:

- MATERIAL: SEE TABLE B
- MATES WITH SERIES A) 36783
 - B) 36806
 - C) 36791
- USE WITH RECEPTACLE TERMINAL SERIES 36799
- COMPLY WITH PACKING SPECIFICATION PK-36783-002
- SHALL CONFIRM TO PRODUCT SPECIFICATION PS-36783-001
- MANUFACTURING DATE CODE WILL BE IDENTIFIED ON BAR CODE LABEL SHIPPED AGAINST EACH ORDER, PARTS WILL BE TRACED AGAINST THIS.
- FEMALE TERMINAL TO BE CRIMPED AND INSERTED INTO RECEPTACLE HOUSING.
- ALL DIMENSIONS SHOWN ARE APPLICABLE AS RECEIVED INTO CUSTOMER PLACE.
- MOLEX OWNS RESPONSIBILITY AS SHIPPED FROM MOLEX. ASSEMBLY OF RECEPTACLE ON TO MATING INLINE HARNESS ALONG WITH IT'S FUNCTIONALITY COMES UNDER CUSTOMER SCOPE.
- TO VOID THE REQUIRED CKT, CUSTOMER HAS TO USE CAVITY PLUG SERIES 36804, REFER DOCUMENT # AS-36783-001
- FOR PRODUCT TOOLING STATUS REFER TABLE A
- QUANTITY OF COMPONENTS PER RECEPTACLE ASSEMBLY WILL BE ONE EACH.



QUALITY SYMBOLS	THIS DRAWING CONTAINS INFORMATION THAT IS PROPRIETARY TO MOLEX ELECTRONIC TECHNOLOGIES, LLC AND SHOULD NOT BE USED WITHOUT WRITTEN PERMISSION		GENERAL TOLERANCES (UNLESS SPECIFIED)		DIMENSION UNITS	SCALE	
	∇ = 0 ∇ = 0 ∇ = 0 ∇ = 0 ∇ = 0 ∇ = 0 ∇ = 0 ∇ = 0 ∇ = 0	EC NO: 170554 DRWN: RGV CHKD: APPR:	2018/01/09 2018/01/10 VUTTARKAR	mm 1:1 DRWN BY: MPPETKAR DATE: 2012/07/12 CHK'D BY: DATE: CHKD BY: DATE: APPR BY: VUTTARKAR DATE: 2012/07/17	4 PLACES ± 3 PLACES ± 2 PLACES ± 0.1 1 PLACE ± 0.2 0 PLACES ±	ANGULAR TOL ± 0.5° DRAFT WHERE APPLICABLE MUST REMAIN WITHIN DIMENSIONS	
RELEASE STATUS: P1 RELEASE DATE: 10.01.2018 15:30:53	DOCUMENT NUMBER: SD-36792-001 DOC TYPE: PSD DOC PART: 001 SHEET NUMBER: 1 OF 1						