

- NOTES:
- REF. PCI EXPRESS CARD ELECTROMECHANICAL SPECIFICATION, REV 1.0a FOR BRACKET WINDOW LOCATION.
  - PCB AND BRACKET SHOWN FOR REFERENCE ONLY.
  - REF. SD-74547-100 FOR KEY POSITIONS.
  - GUIDE HOUSING MOUNTING THREAD= M2 X 0.40, SEE SHEET 3 FOR SCREW LENGTH + TORQUE SPEC.
  - PLATE GROUND PAD WITH EMERSION SILVER OR GOLD.
  - MATERIAL:  
GUIDE HOUSING - ZINC DIECAST, NICKEL PLATED.  
COVER - STAINLESS STEEL.  
GASKET: CONDUCTIVE ELASTOMER
  - NO RoHS EXEMPTIONS.
  - GUIDE HOUSING PEGS FOR ALIGNMENT ONLY, DO NOT SOLDER.

PART NUMBER	SW	OAW	PORT SIZE	KEY(S) PORT1	KEY(S) PORT2	KEY(S) PORT3	KEY(S) PORT4	IDENTIFIERS	ELASTOMERIC GASKET FLAMMABILITY RATING
745480100	76.29	79.99	4	1	1	1	1	SATA - 'X' CABLES	94HB
745480103	76.29	79.99	4	2,4	2,4	2,4	2,4	SAS OUT PORT/END DEVICE	94HB
745480104	76.29	79.99	4	4,6	4,6	4,6	4,6	SAS IN PORT/END DEVICE	94HB
745480105	76.29	79.99	4	4	4	4	4	SAS UNIVERSAL PORT	94HB
745480112	76.29	79.99	4	7	7	7	7	SATA - 'M' CABLES	94HB
745480117	76.29	79.99	4	2	2	2	2	SAS - OUT PORT	94HB
745480120	76.29	79.99	4	6	6	6	6	SAS - IN PORT	94HB

THIS DRAWING CONTAINS INFORMATION THAT IS PROPRIETARY TO MOLEX ELECTRONIC TECHNOLOGIES, LLC AND SHOULD NOT BE USED WITHOUT WRITTEN PERMISSION

SYMBOLS	DIMENSION UNITS	SCALE	CURRENT REV	DESC: SEE REVISION TABLE
▽ = 0	mm	2:1	EC NO:	610036
▽ = 0	GENERAL TOLERANCES (UNLESS SPECIFIED)		DRWN:	NMUTHARAYAPP 2018/12/17
▽ = 0	ANGULAR TOL ± 1.0°		CHK'D:	TKUMARKC 2019/01/07
▽ = 0	4 PLACES ±		APPR:	RCHEN08 2019/01/08
▽ = 0	3 PLACES ±		INITIAL REVISION:	
▽ = 0	2 PLACES ± 0.13		DRWN:	BBEGALIMADHU 2018/01/04
▽ = 0	1 PLACE ± 0.25		APPR:	RCHEN08 2018/01/25
▽ = 0	0 PLACES ±		DRAFT WHERE APPLICABLE MUST REMAIN WITHIN DIMENSIONS	
▽ = 0			THIRD ANGLE PROJECTION	DRAWING SERIES
			C-SIZE	74548

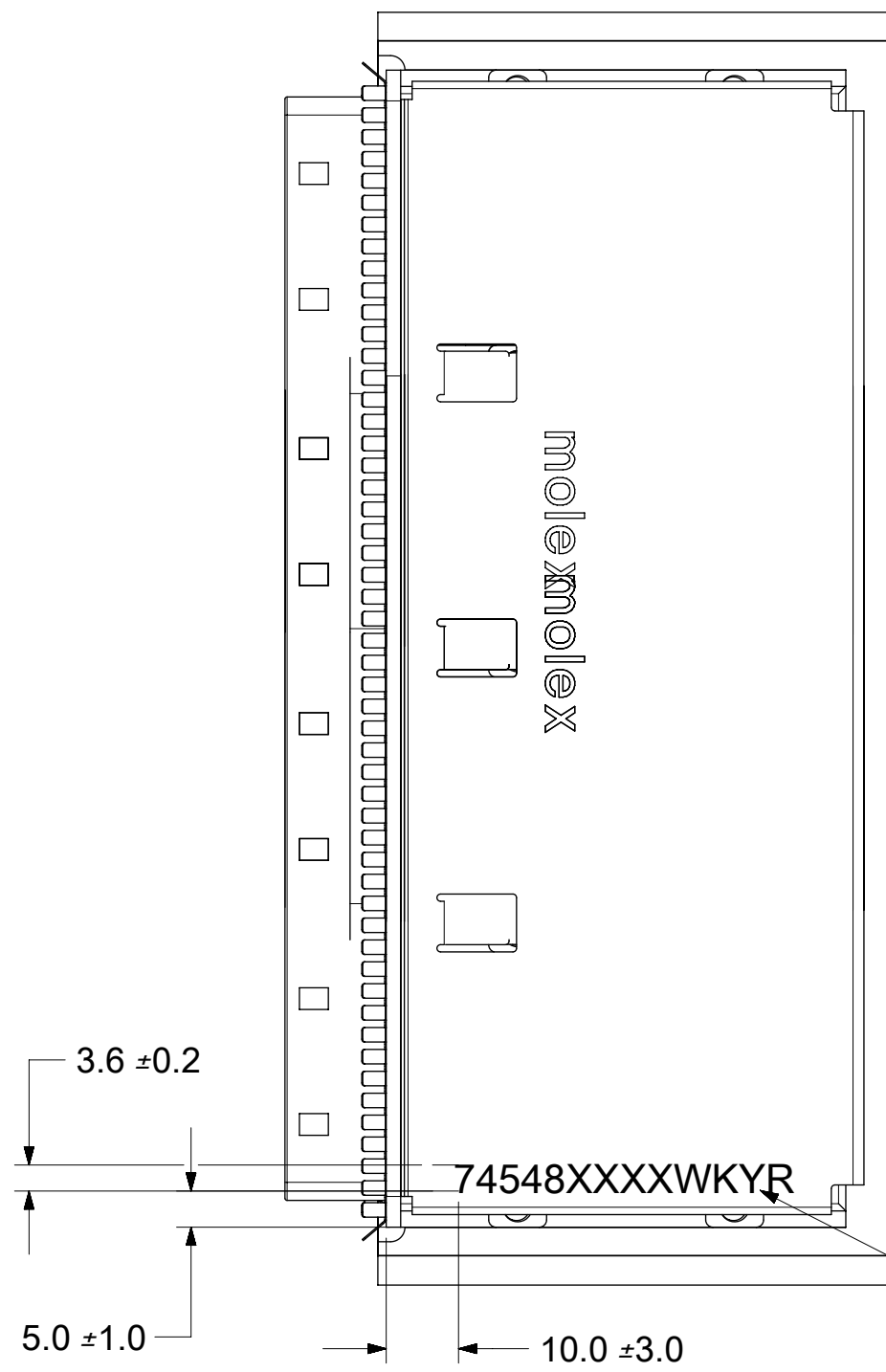
**molex**

I-PASS 26CKT ONE DEG. EMI GUIDE RAIL HOUSING ASSEMBLY, MULTI PORT

PRODUCT CUSTOMER DRAWING

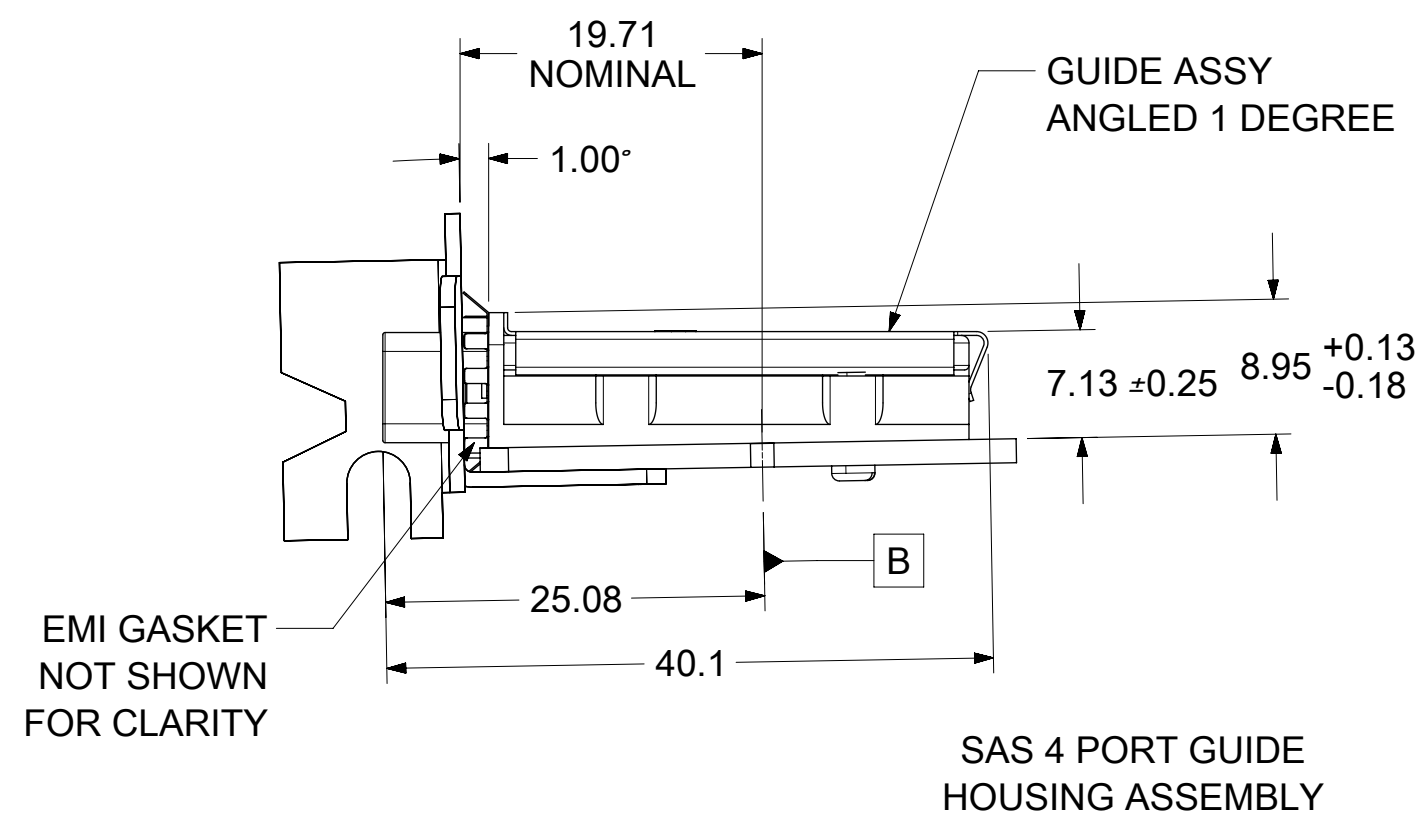
DOCUMENT NUMBER	DOC TYPE	DOC PART	REVISION
745480100	PSD	ASY	T1

MATERIAL NUMBER: SEE P/N TABLE CUSTOMER: SHEET NUMBER: 1 OF 5



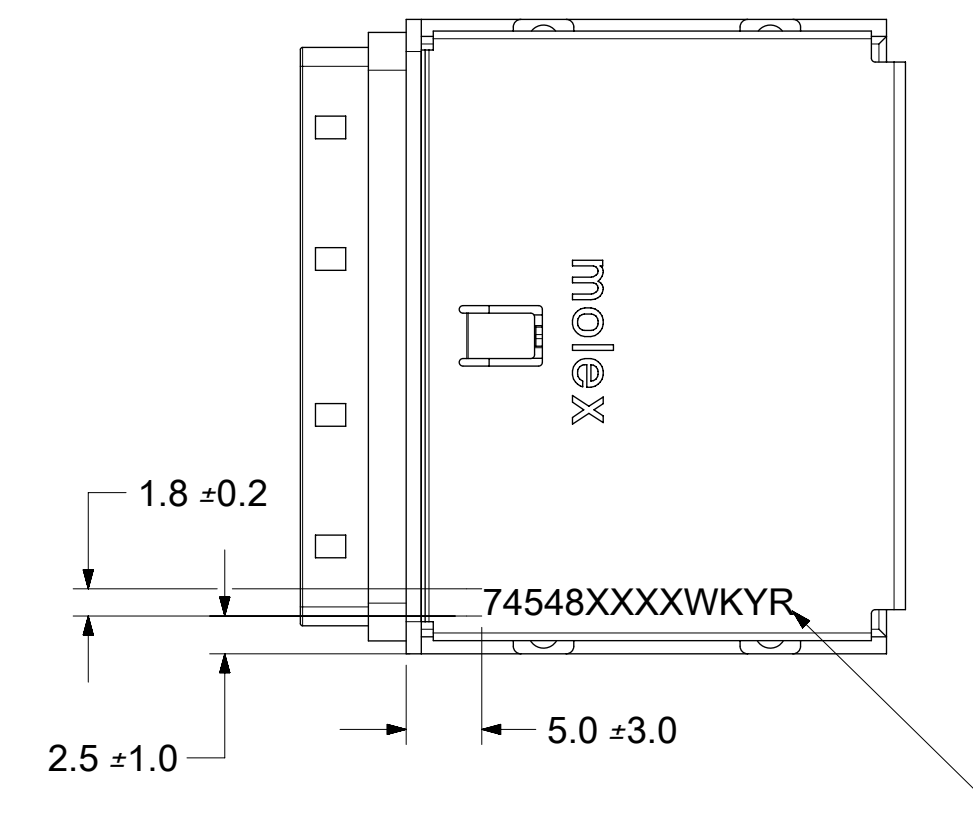
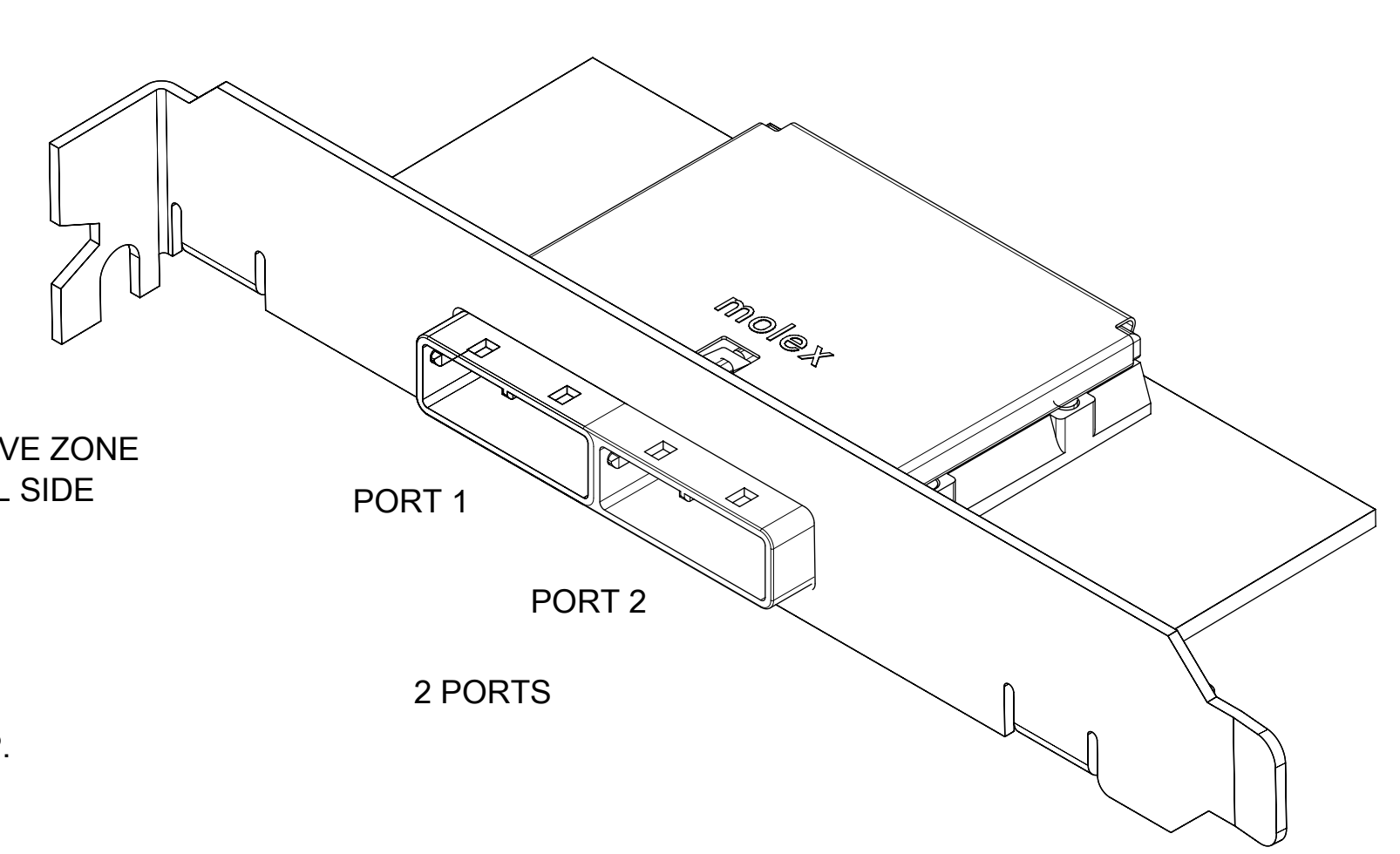
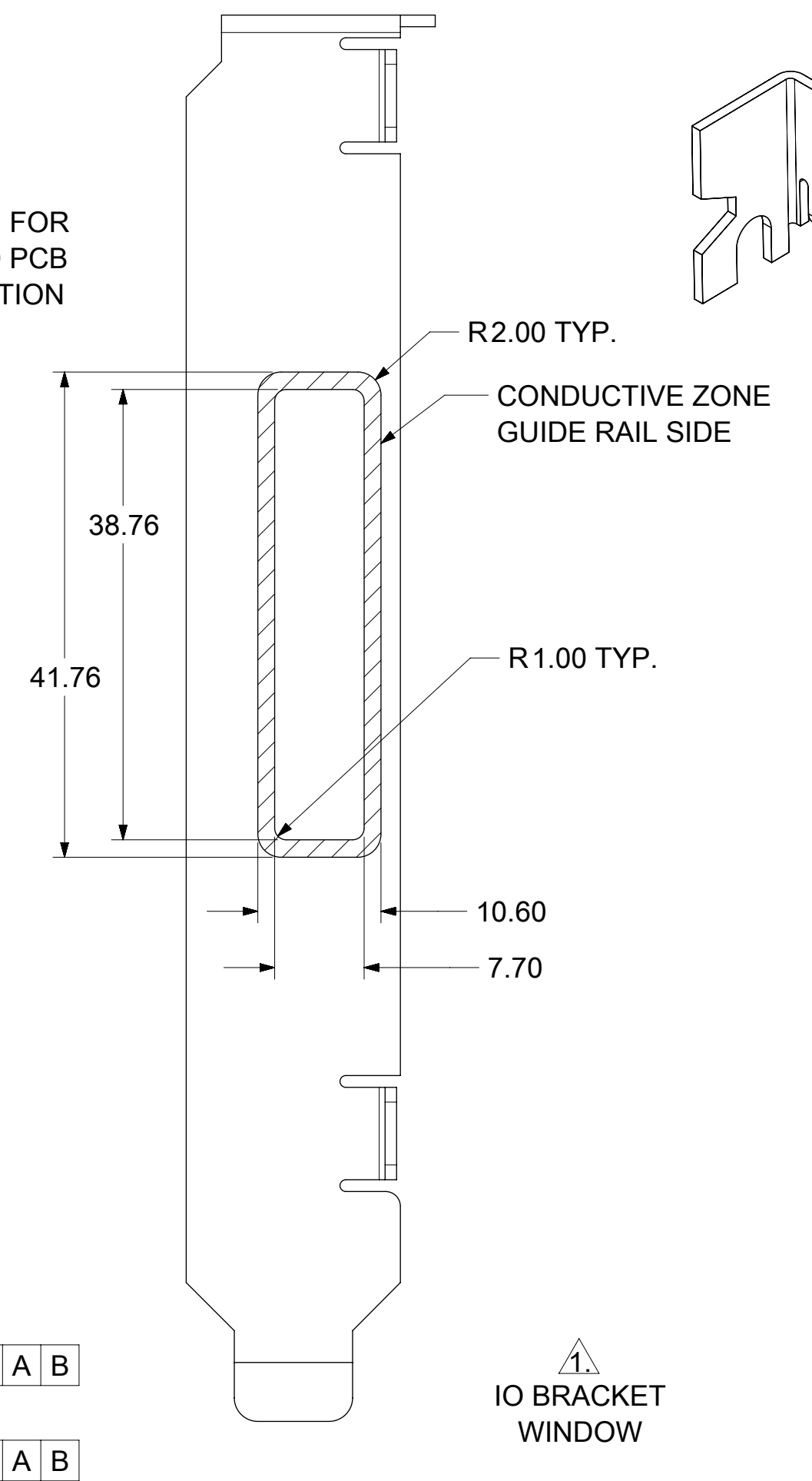
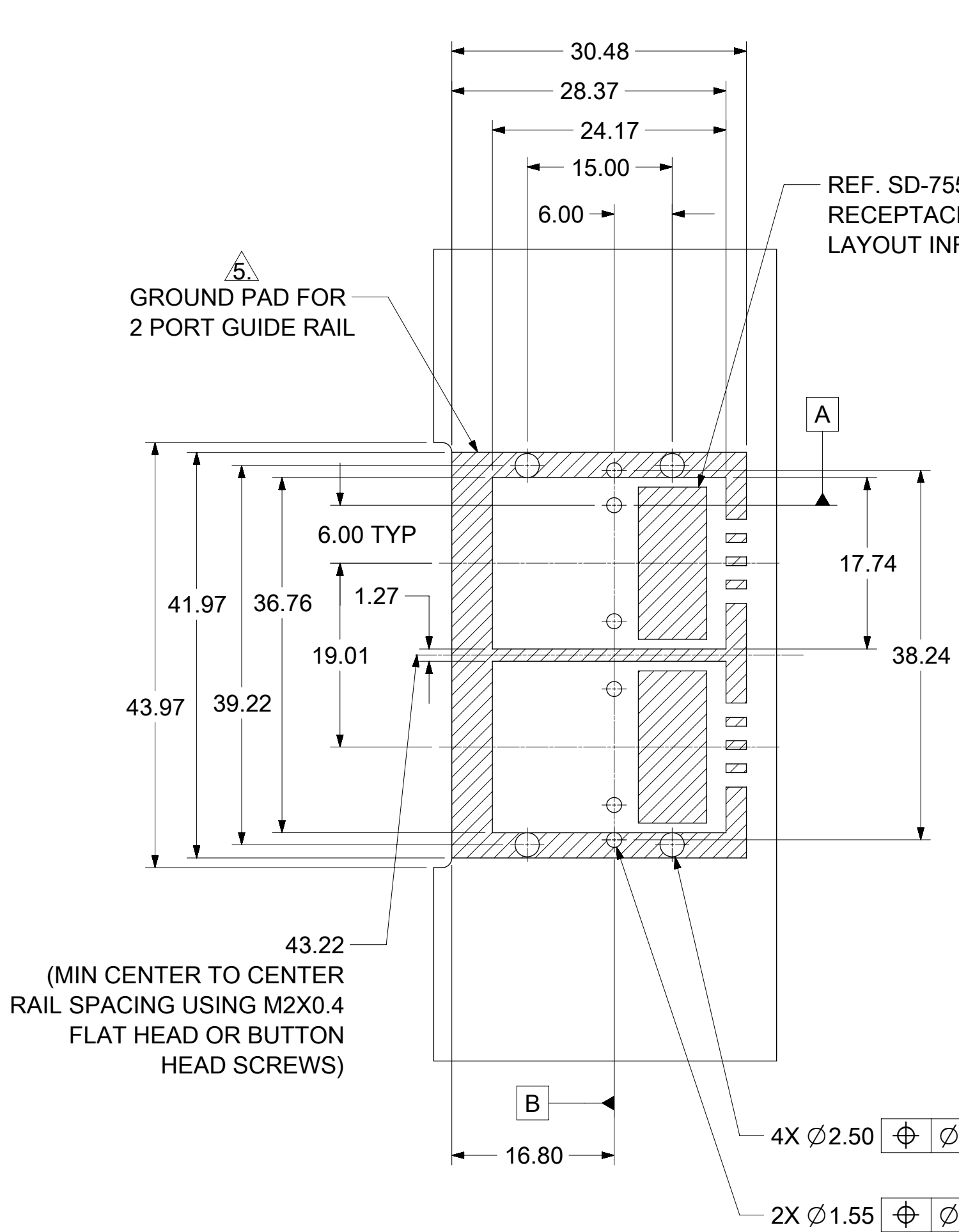
P/N AND WEEK/YEAR DATE CODE TO BE PRINTED ON THE TOP OF COMPLETED CAGE ASSEMBLY AS SHOWN. SEE TABLE BELOW FOR DATE CODE INFORMATION.

WEEK/YEAR DATE CODE TABLE	
WK	WEEK OF THE YEAR 01 THRU 52 (EXAMPLE: 01= FIRST WEEK OF YEAR 52= LAST WEEK OF YEAR)
YR	18, 19, 20 ETC.. (EXAMPLE: YEAR 2018= 18)



SAS 4 PORT GUIDE HOUSING ASSEMBLY

THIS DRAWING CONTAINS INFORMATION THAT IS PROPRIETARY TO MOLEX ELECTRONIC TECHNOLOGIES, LLC AND SHOULD NOT BE USED WITHOUT WRITTEN PERMISSION										
SYMBOLS		DIMENSION UNITS		SCALE		CURRENT REV DESC: SEE REVISION TABLE				
▽ = 0	▽ = 0	mm		1:1		<b>molex</b> I-PASS 26CKT ONE DEG. EMI GUIDE RAIL HOUSING ASSEMBLY, MULTI PORT PRODUCT CUSTOMER DRAWING EC NO: 610036 DRWN: NMUTHARAYAPP 2018/12/17 CHK'D: TKUMARKC 2019/01/07 APPR: RCHEN08 2019/01/08 INITIAL REVISION: DRWN: BBEGALIMADHU 2018/01/04 APPR: RCHEN08 2018/01/25				
▽ = 0	▽ = 0	GENERAL TOLERANCES (UNLESS SPECIFIED)								
▽ = 0	▽ = 0	ANGULAR TOL ± 1.0°								
▽ = 0	▽ = 0	4 PLACES ±								
▽ = 0	▽ = 0	3 PLACES ±								
▽ = 0	▽ = 0	2 PLACES ± 0.13				DOCUMENT NUMBER				
▽ = 0	▽ = 0	1 PLACE ± 0.25				745480100				
▽ = 0	▽ = 0	0 PLACES ±				DOC TYPE		DOC PART		REVISION
▽ = 0	▽ = 0	DRAFT WHERE APPLICABLE MUST REMAIN WITHIN DIMENSIONS		THIRD ANGLE PROJECTION		DRAWING		SERIES		
▽ = 0	▽ = 0			C-SIZE		74548		MATERIAL NUMBER		
								CUSTOMER		
								SEE P/N TABLE		
								SHEET NUMBER		
								2 OF 5		

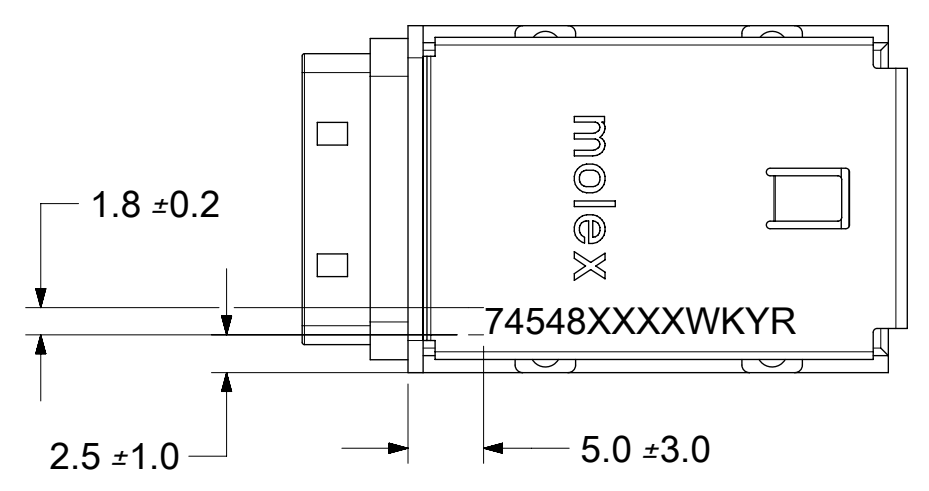
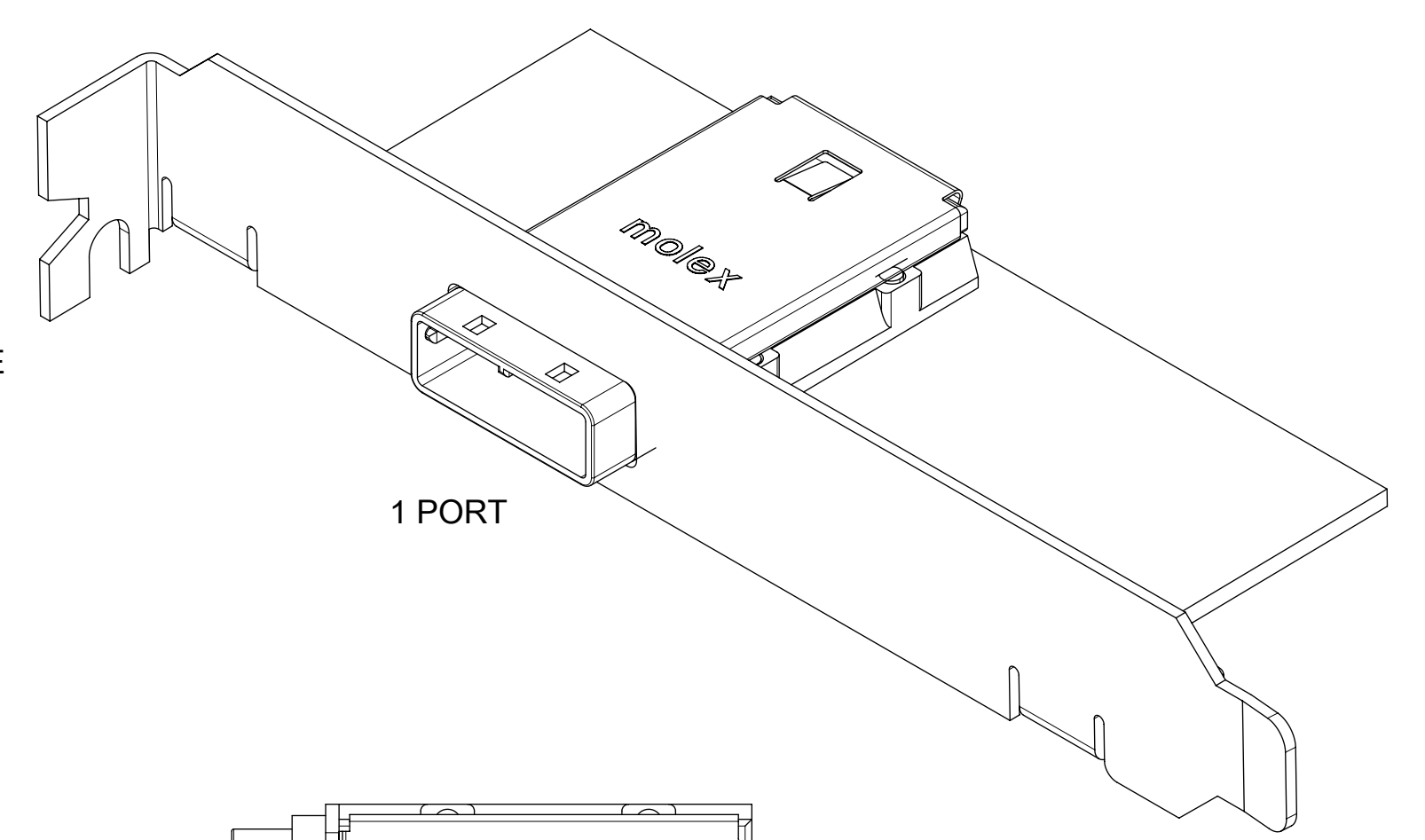
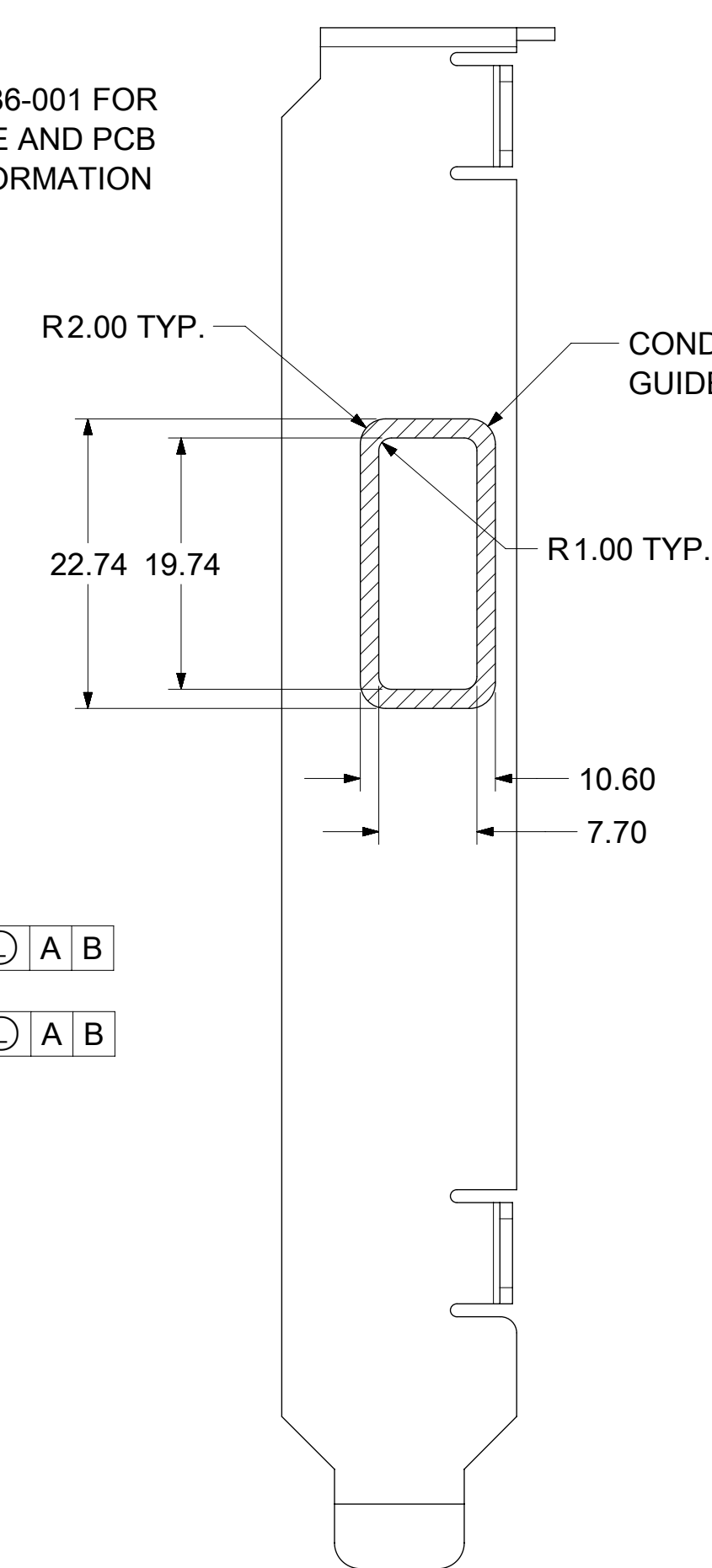
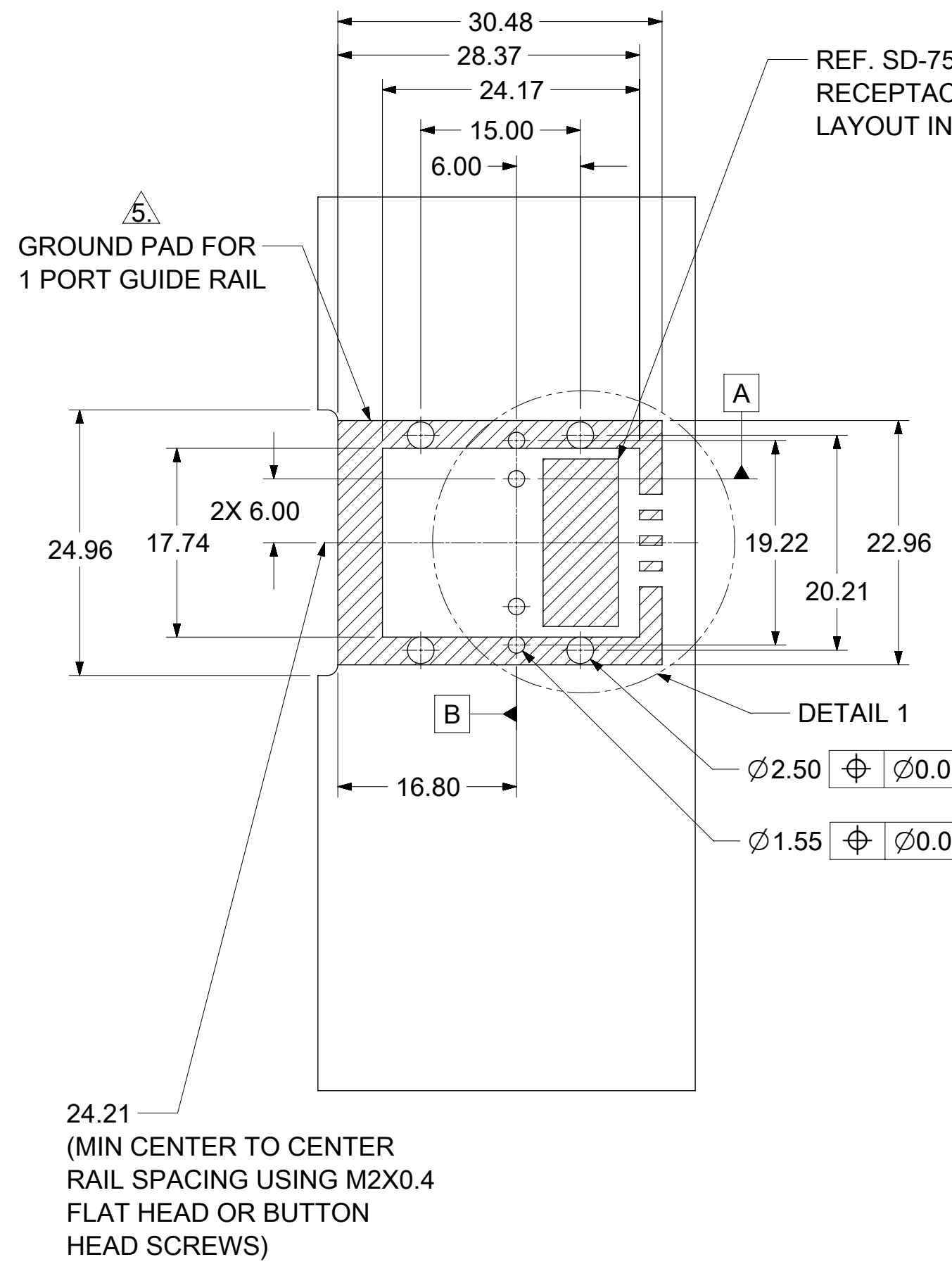


P/N AND WEEK/YEAR DATE CODE TO BE PRINTED ON THE TOP OF COMPLETED CAGE ASSEMBLY AS SHOWN. SEE TABLE BELOW FOR DATE CODE INFORMATION.

WEEK/YEAR DATE CODE TABLE	
WK	WEEK OF THE YEAR 01 THRU 52 (EXAMPLE: 01= FIRST WEEK OF YEAR 52= LAST WEEK OF YEAR)
YR	18, 19, 20 ETC.. (EXAMPLE: YEAR 2018= 18)

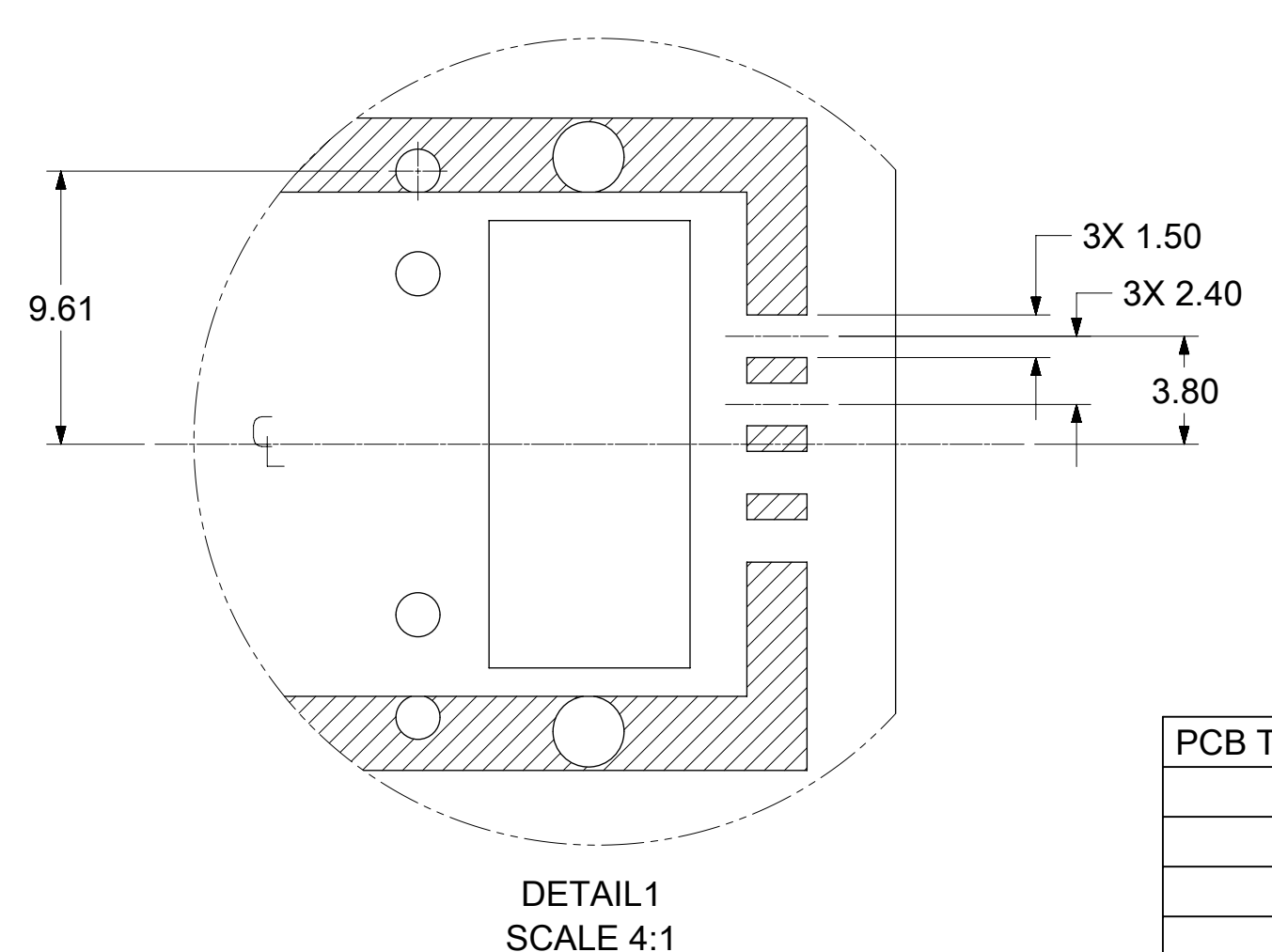
PART NUMBER	SW	OAW	PORT SIZE	KEY(S) PORT1	KEY(S) PORT2	IDENTIFIERS	ELASTOMERIC GASKET FLAMMABILITY RATING
745480102	38.26	41.96	2	1	1	SATA - 'X' CABLES	94HB
745480106	38.26	41.96	2	2,4	2,4	SAS OUT PORT/END DEVICE	94HB
745480107	38.26	41.96	2	4,6	4,6	SAS IN PORT/END DEVICE	94HB
745480108	38.26	41.96	2	4	4	SAS UNIVERSAL PORT	94HB
745480113	38.26	41.96	2	7	7	SATA - 'M' CABLES	94HB
745480115	38.26	41.96	2	4,6	2,4	SAS IN PORT - SAS OUT PORT	94HB
745480116	38.26	41.96	2	2,4	4,6	SAS OUT PORT - SAS IN PORT	94HB
745480118	38.26	41.96	2	2	2	SAS - OUT PORT	94HB
745480121	38.26	41.96	2	6	6	SAS - IN PORT	94HB
745480124	38.26	41.96	2	3	3	SRiO	94HB
745480128	38.26	41.96	2	2,4	4,6	SAS OUT PORT - SAS IN PORT	94V-0

SYMBOLS		THIS DRAWING CONTAINS INFORMATION THAT IS PROPRIETARY TO MOLEX ELECTRONIC TECHNOLOGIES, LLC AND SHOULD NOT BE USED WITHOUT WRITTEN PERMISSION	
$\nabla$ = 0	DIMENSION UNITS	SCALE	CURRENT REV DESC: SEE REVISION TABLE
$\nabla$ = 0	mm	2:1	
$\nabla$ = 0	GENERAL TOLERANCES (UNLESS SPECIFIED)		
$\nabla$ = 0	ANGULAR TOL	± 1.0°	
$\nabla$ = 0	4 PLACES	±	
$\nabla$ = 0	3 PLACES	±	
$\nabla$ = 0	2 PLACES	± 0.13	
$\nabla$ = 0	1 PLACE	± 0.25	
$\nabla$ = 0	0 PLACES	±	
$\nabla$ = 0	DRAFT WHERE APPLICABLE MUST REMAIN WITHIN DIMENSIONS		
$\nabla$ = 0	THIRD ANGLE PROJECTION	DRAWING	SERIES
$\nabla$ = 0		C-SIZE	74548
		EC NO: 610036	
		DRWN: NMUTHARAYAPP	2018/12/17
		CHK'D: TKUMARKC	2019/01/07
		APPR: RCHEN08	2019/01/08
		INITIAL REVISION:	
		DRWN: BBEGALIMADHU	2018/01/04
		APPR: RCHEN08	2018/01/25
DOCUMENT NUMBER		DOC TYPE	DOC PART
745480100		PSD	ASY
MATERIAL NUMBER		CUSTOMER	SHEET NUMBER
SEE P/N TABLE			3 OF 5



P/N AND WEEK/YEAR DATE CODE TO BE PRINTED ON THE TOP OF COMPLETED CAGE ASSEMBLY AS SHOWN. SEE TABLE BELOW FOR DATE CODE INFORMATION.

WEEK/YEAR DATE CODE TABLE	
WK	WEEK OF THE YEAR 01 THRU 52 (EXAMPLE: 01= FIRST WEEK OF YEAR 52= LAST WEEK OF YEAR)
YR	18, 19, 20 ETC.. (EXAMPLE: YEAR 2018= 18)




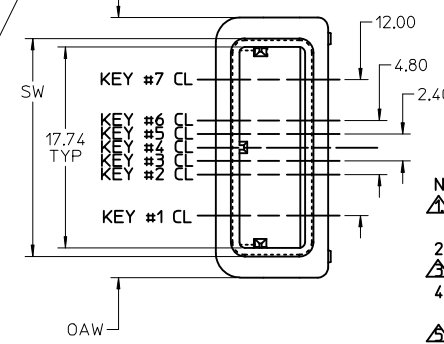
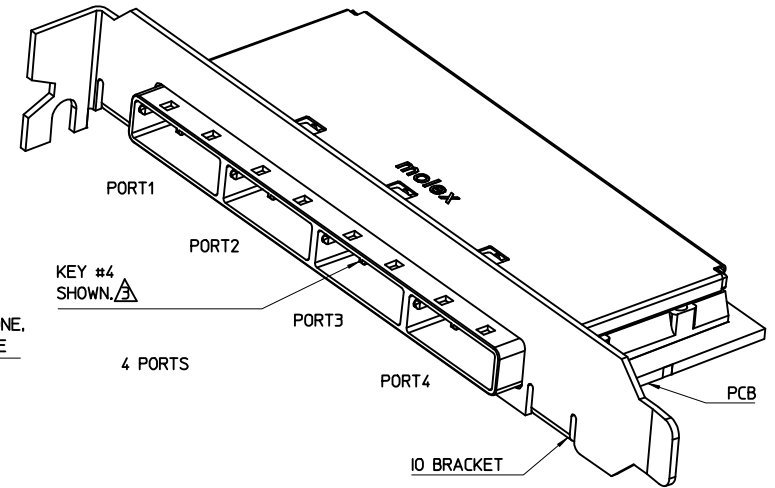
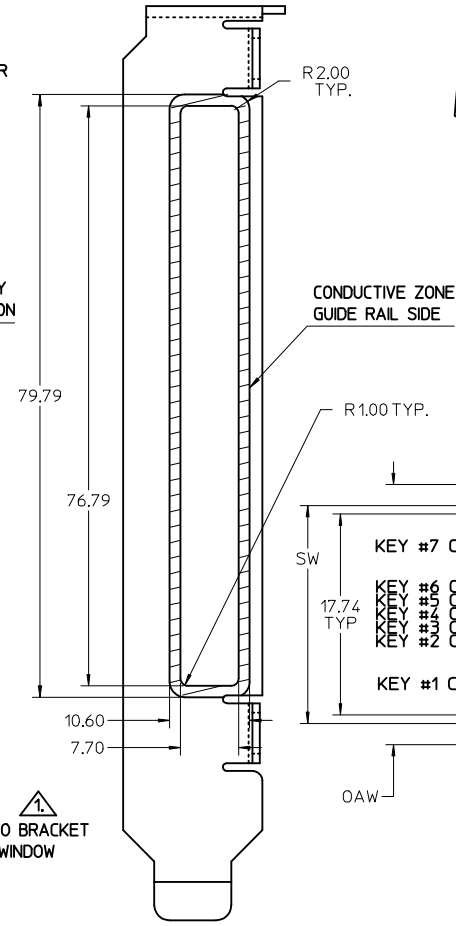
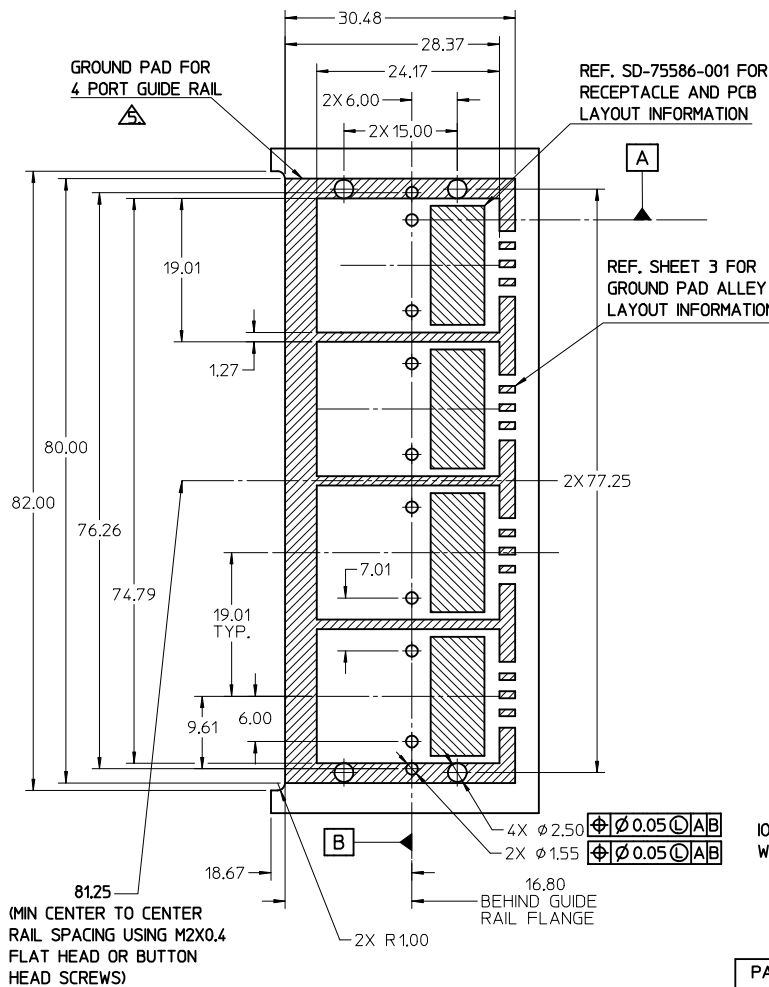
PCB THICKNESS	SCREW LENGTH	TORQUE(IN LBS)
1.6	5MM	2.3
2.38	6MM	2.3
3.2	6MM	2.3
X	+4MM MAX	2.3

PART NUMBER	SW	OAW	PORT SIZE	KEY(S)	IDENTIFIERS	ELASTOMERIC GASKET FLAMMABILITY RATING
745480101	19.24	22.95	1	1	SATA - 'X' CABLES	94HB
745480109	19.24	22.95	1	2,4	SAS OUT PORT/END DEVICE	94HB
745480110	19.24	22.95	1	4,6	SAS IN PORT/END DEVICE	94HB
745480111	19.24	22.95	1	4	SAS UNIVERSAL PORT	94HB
745480114	19.24	22.95	1	7	SATA - 'M' CABLES	94HB
745480119	19.24	22.95	1	2	SAS - OUT PORT	94HB
745480122	19.24	22.95	1	6	SAS - IN PORT	94HB
745480125	19.24	22.95	1	3	SRIO	94HB

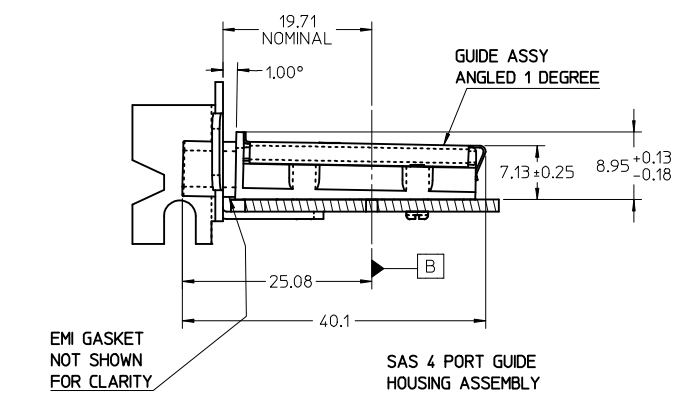
SYMBOLS		THIS DRAWING CONTAINS INFORMATION THAT IS PROPRIETARY TO MOLEX ELECTRONIC TECHNOLOGIES, LLC AND SHOULD NOT BE USED WITHOUT WRITTEN PERMISSION	
▽ = 0	DIMENSION UNITS	SCALE	CURRENT REV DESC: SEE REVISION TABLE
▽ = 0	mm	2:1	
▽ = 0	GENERAL TOLERANCES (UNLESS SPECIFIED)		
▽ = 0	ANGULAR TOL ± 1.0°		
▽ = 0	4 PLACES ±	EC NO: 610036	
▽ = 0	3 PLACES ±	DRWN: NMUTHARAYAPP 2018/12/17	
▽ = 0	2 PLACES ± 0.13	CHK'D: TKUMARKC 2019/01/07	
▽ = 0	1 PLACE ± 0.25	APPR: RCHEN08 2019/01/08	
▽ = 0	0 PLACES ±	INITIAL REVISION:	
▽ = 0		DRWN: BBEGALIMADHU 2018/01/04	
▽ = 0		APPR: RCHEN08 2018/01/25	
▽ = 0	DRAFT WHERE APPLICABLE MUST REMAIN WITHIN DIMENSIONS	THIRD ANGLE PROJECTION	DRAWING SERIES
▽ = 0		C-SIZE	74548
DOCUMENT STATUS		DOCUMENT NUMBER	DOC TYPE   DOC PART   REVISION
P1	RELEASE DATE 2019/01/08 09:34:23	745480100	PSD ASY T1
		MATERIAL NUMBER	CUSTOMER
		SEE P/N TABLE	
		SHEET NUMBER	
		4 OF 5	

REV	DATE	DESCRIPTION
R	2015/01/23	1. ADDED "MM 3D MODEL: EM-74548-100 (SD_PACKAGE)" ON LEFT TOP CORNER. [SHT 1] 2. NOTE 7 CHANGED AS "NO RoHS EXEMPTIONS". [SHT 1] 3. NOTE 6 ADDED "GASKET: CONDUCTIVE ELASTOMER." [SHT 1] 4. ADDED ELASTOMERIC GASKET FLAMMABILITY RATING. [SHT 1, 2, 3] 5. ADDED 74548-0128. [SHT 2]
T	2018/01/08	RE-MASTERED FROM SD-74548-100 REV_R TO 745480100 PSD ASY REV_T. SHEET 2: F11 ADDED DIM 6.00TYP. SHEET 3: F11 ADDED DIM 2X6.00.
T1	2018/12/20	1.SHEET 2: G08 :ADDED TOP VIEW AND PLACED INK MARK , RIGHT VIEW MOVED FROM SHEET1 TO SHEET 2 2.SHEET 3: D02 :ADDED RIGHT VIEW AND INK MARK PLACED IN TOP VIEW 3.SHEET 4: E03 :ADDED RIGHT VIEW AND INK MARK PLACED IN TOP VIEW

SYMBOLS												THIS DRAWING CONTAINS INFORMATION THAT IS PROPRIETARY TO MOLEX ELECTRONIC TECHNOLOGIES, LLC AND SHOULD NOT BE USED WITHOUT WRITTEN PERMISSION																			
DIMENSION UNITS				SCALE				CURRENT REV DESC: SEE REVISION TABLE																							
mm				1:1				EC NO: 610036				 <p>I-PASS 26CKT ONE DEG. EMI GUIDE RAIL HOUSING ASSEMBLY, MULTI PORT</p>																			
GENERAL TOLERANCES (UNLESS SPECIFIED)								DRWN: NMUTHARAYAPP 2018/12/17								DOCUMENT NUMBER				DOC TYPE				DOC PART				REVISION			
ANGULAR TOL ± 1.0°				INITIAL REVISION:				DRWN: BBEGALIMADHU 2018/01/04								745480100				PSD				ASY				T1			
4 PLACES ±				DRWN: RCHEN08 2019/01/07				APPR: RCHEN08 2019/01/08				MATERIAL NUMBER				CUSTOMER				SHEET NUMBER											
3 PLACES ±				DRAFT WHERE APPLICABLE MUST REMAIN WITHIN DIMENSIONS				THIRD ANGLE PROJECTION				DRAWING				SERIES				SEE P/N TABLE				5 OF 5							
2 PLACES ± 0.13				DRAFT WHERE APPLICABLE MUST REMAIN WITHIN DIMENSIONS				THIRD ANGLE PROJECTION				DRAWING				SERIES				SEE P/N TABLE				5 OF 5							
1 PLACE ± 0.25				DRAFT WHERE APPLICABLE MUST REMAIN WITHIN DIMENSIONS				THIRD ANGLE PROJECTION				DRAWING				SERIES				SEE P/N TABLE				5 OF 5							
0 PLACES ±				DRAFT WHERE APPLICABLE MUST REMAIN WITHIN DIMENSIONS				THIRD ANGLE PROJECTION				DRAWING				SERIES				SEE P/N TABLE				5 OF 5							
0 PLACES ±				DRAFT WHERE APPLICABLE MUST REMAIN WITHIN DIMENSIONS				THIRD ANGLE PROJECTION				DRAWING				SERIES				SEE P/N TABLE				5 OF 5							



- NOTES:
- REF. PCI EXPRESS CARD ELECTROMECHANICAL SPECIFICATION, REV 1.0a FOR BRACKET WINDOW LOCATION.
  - PCB AND BRACKET SHOWN FOR REFERENCE ONLY.
  - REF. SD-74547-100 FOR KEY POSITIONS.
  - GUIDE HOUSING MOUNTING THREAD= M2 X 0.40, SEE SHEET 3 FOR SCREW LENGTH + TORQUE SPEC.
  - PLATE GROUND PAD WITH EMERSION SILVER OR GOLD.
  - MATERIAL:  
GUIDE HOUSING - ZINC DIECAST, NICKEL PLATED.  
COVER - STAINLESS STEEL.  
GASKET: CONDUCTIVE ELASTOMER
  - NO RoHS EXEMPTIONS.
  - GUIDE HOUSING PEGS FOR ALIGNMENT ONLY, DO NOT SOLDER.

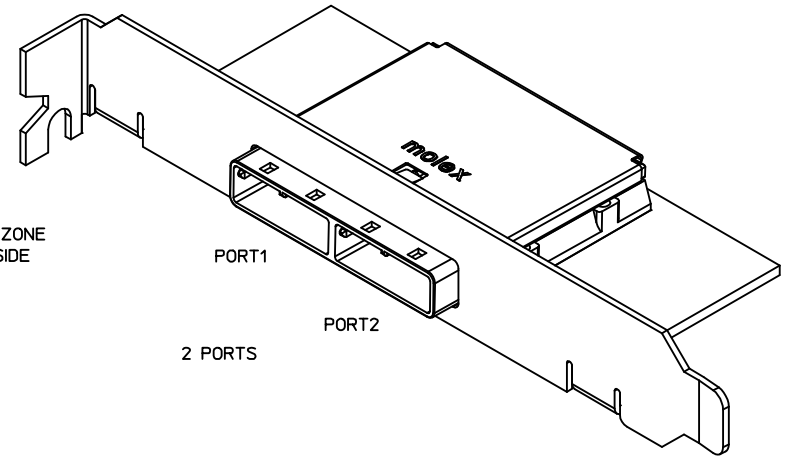
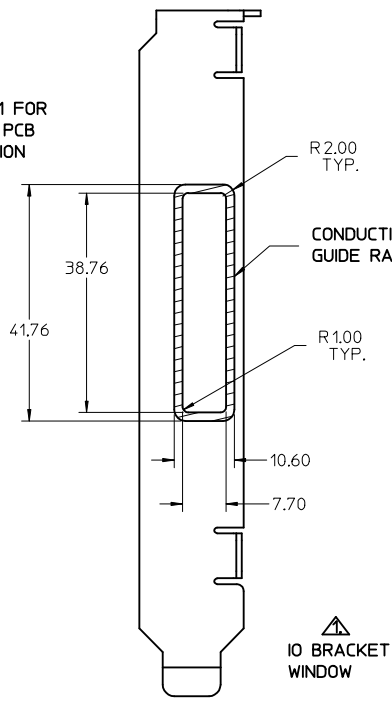
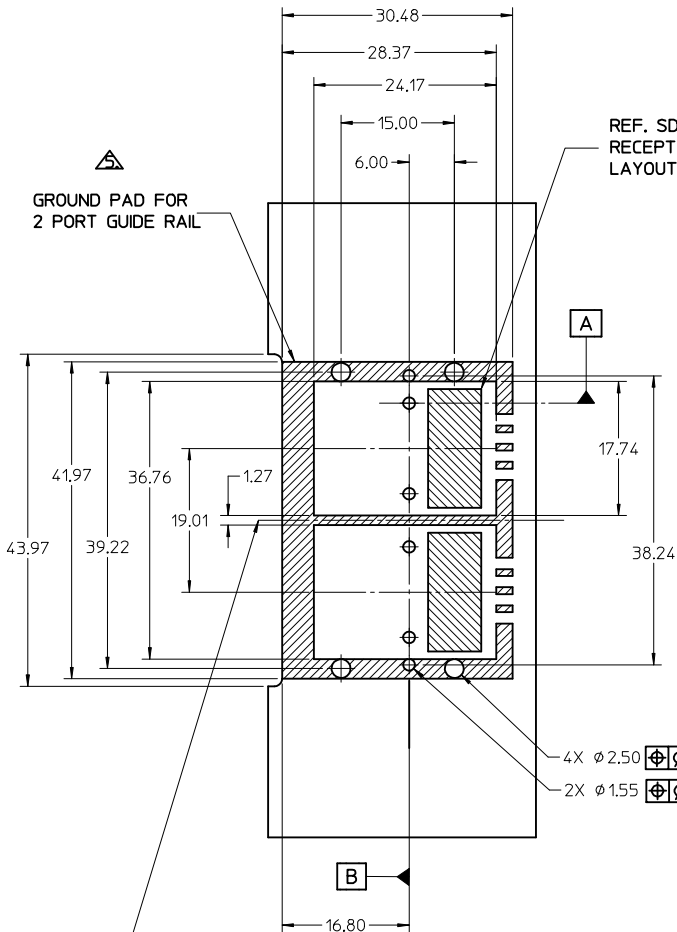


PART NUMBER	SW	OAW	PORT SIZE	KEY(S) PORT1	KEY(S) PORT2	KEY(S) PORT3	KEY(S) PORT4	IDENTIFIERS	ELASTOMERIC GASKET FLAMMABILITY RATING
745480100	76.29	79.99	4	1	1	1	1	SATA - 'X' CABLES	94HB
745480103	76.29	79.99	4	2,4	2,4	2,4	2,4	SAS OUT PORT/END DEVICE	94HB
745480104	76.29	79.99	4	4,6	4,6	4,6	4,6	SAS IN PORT/END DEVICE	94HB
745480105	76.29	79.99	4	4	4	4	4	SAS UNIVERSAL PORT	94HB
745480112	76.29	79.99	4	7	7	7	7	SATA - 'M' CABLES	94HB
745480117	76.29	79.99	4	2	2	2	2	SAS - OUT PORT	94HB
745480120	76.29	79.99	4	6	6	6	6	SAS - IN PORT	94HB

<b>SEE REVISION TABLE</b> EC NO: CPG2015-3882 DRWN:LUZ0 2015/01/22 CHKD:SYANG16 2015/01/26 APPR:RCHEN08 2015/02/03	QUALITY SYMBOLS ▽=0 ▽=0 ▽=0	GENERAL TOLERANCES (UNLESS SPECIFIED)		DIMENSION STYLE <b>MM ONLY</b>		SCALE 2:1	DESIGN UNITS METRIC	THIRD ANGLE PROJECTION		
		4 PLACES ± --- ± --- 3 PLACES ± --- ± --- 2 PLACES ± 0.13 ± --- 1 PLACE ± 0.25 ± --- 0 PLACE ± ±	mm INCH ± --- ± --- ± 0.13 ± --- ± 0.25 ± --- ± ±	DRAWN BY SNAVARRO	DATE 2006/05/26	CHECKED BY BREED	DATE 2006/05/26	TITLE <b>I-PASS 26CKT ONE DEG. EMI GUIDE RAIL HOUSING ASSEMBLY, MULTI PORT</b>		
		ANGULAR ±1/2°		APPROVED BY DDOYE	DATE 2006/05/26	MATERIAL NO. DOCUMENT NO. <b>SD-74548-100</b>			SHEET NO. 1 OF 4	
		DRAFT WHERE APPLICABLE MUST REMAIN WITHIN DIMENSIONS		SEE P/N TABLE		THIS DRAWING CONTAINS INFORMATION THAT IS PROPRIETARY TO MOLEX INCORPORATED AND SHOULD NOT BE USED WITHOUT WRITTEN PERMISSION				

iPass™ is a Trademark of Molex, Inc.

**molex**



43.22  
(MIN CENTER TO CENTER RAIL SPACING USING M2X0.4 FLAT HEAD OR BUTTON HEAD SCREWS)

4X  $\phi 2.50$   $\oplus \phi 0.05 \text{ (C) AB}$   
 2X  $\phi 1.55$   $\oplus \phi 0.05 \text{ (C) AB}$

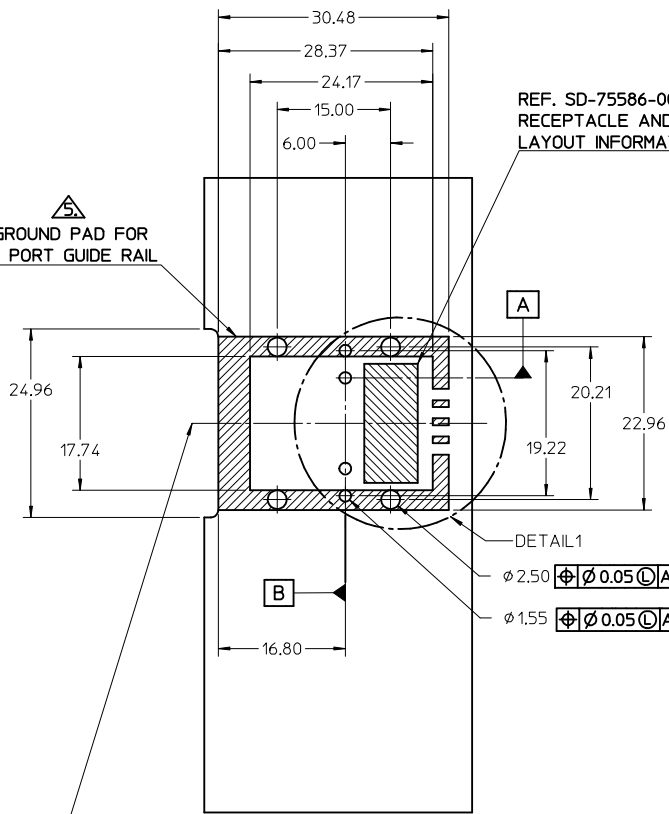
B

PART NUMBER	SW	OAW	PORT SIZE	KEY(S) PORT 1	KEY(S) PORT 2	IDENTIFIERS	ELASTOMERIC GASKET FLAMMABILITY RATING
745480102	38.26	41.96	2	1	1	SATA - 'X' CABLES	94HB
745480106	38.26	41.96	2	2,4	2,4	SAS OUT PORT/END DEVICE	94HB
745480107	38.26	41.96	2	4,6	4,6	SAS IN PORT/END DEVICE	94HB
745480108	38.26	41.96	2	4	4	SAS UNIVERSAL PORT	94HB
745480113	38.26	41.96	2	7	7	SATA - 'M' CABLES	94HB
745480115	38.26	41.96	2	4,6	2,4	SAS IN PORT - SAS OUT PORT	94HB
745480116	38.26	41.96	2	2,4	4,6	SAS OUT PORT - SAS IN PORT	94HB
745480118	38.26	41.96	2	2	2	SAS - OUT PORT	94HB
745480121	38.26	41.96	2	6	6	SAS - IN PORT	94HB
745480124	38.26	41.96	2	3	3	SRIO	94HB
745480128	38.26	41.96	2	2,4	4,6	SAS OUT PORT - SAS IN PORT	94V-0

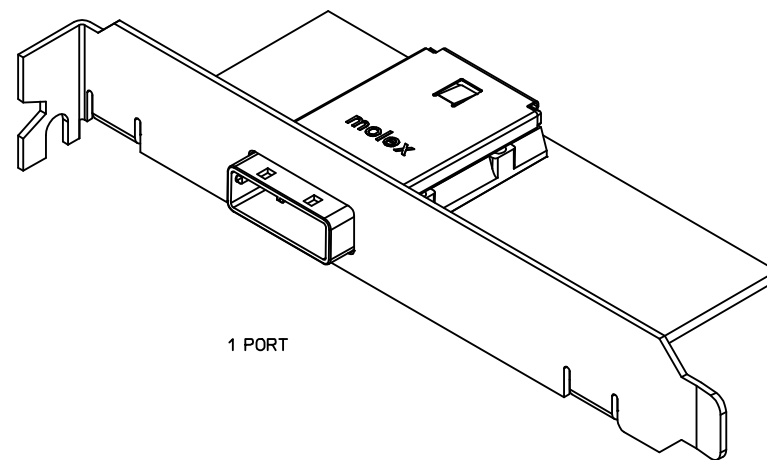
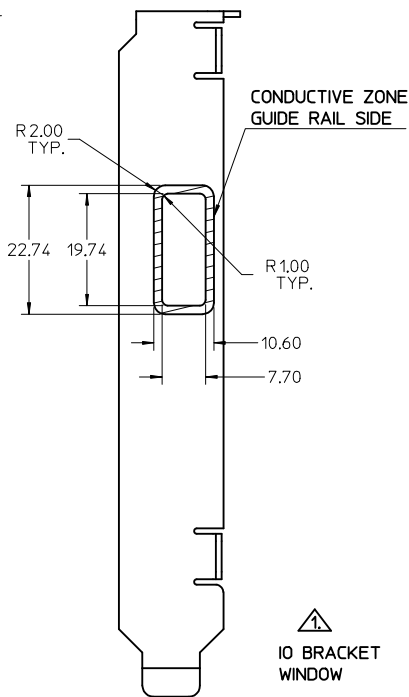
iPass™ is a Trademark of Molex, Inc.

<b>SEE REVISION TABLE</b> EC NO: CPG2015-3682 DRW: LUD0 2015/01/22 CHKD: SYANG16 2015/01/26 APPR: RCHM08 2015/02/03	QUALITY SYMBOLS $\nabla = 0$ $\nabla = 0$ $\nabla = 0$	GENERAL TOLERANCES (UNLESS SPECIFIED) <table border="1"> <tr> <th></th> <th>mm</th> <th>INCH</th> </tr> <tr> <td>4 PLACES</td> <td><math>\pm</math> ---</td> <td><math>\pm</math> ---</td> </tr> <tr> <td>3 PLACES</td> <td><math>\pm</math> ---</td> <td><math>\pm</math> ---</td> </tr> <tr> <td>2 PLACES</td> <td><math>\pm 0.13</math></td> <td><math>\pm</math> ---</td> </tr> <tr> <td>1 PLACE</td> <td><math>\pm 0.25</math></td> <td><math>\pm</math> ---</td> </tr> <tr> <td>0 PLACE</td> <td><math>\pm</math></td> <td><math>\pm</math></td> </tr> </table>		mm	INCH	4 PLACES	$\pm$ ---	$\pm$ ---	3 PLACES	$\pm$ ---	$\pm$ ---	2 PLACES	$\pm 0.13$	$\pm$ ---	1 PLACE	$\pm 0.25$	$\pm$ ---	0 PLACE	$\pm$	$\pm$	DIMENSION STYLE <b>MM ONLY</b> DRAWN BY: SNAVARRO DATE: 2006/05/26 CHECKED BY: BREED DATE: 2006/05/26 APPROVED BY: DDOYE DATE: 2006/05/26	SCALE: 2:1 DESIGN UNITS: METRIC THIRD ANGLE PROJECTION	TITLE: I-PASS 26CKT ONE DEG, EMI GUIDE RAIL HOUSING ASSEMBLY, MULTI PORT 
		mm	INCH																				
	4 PLACES	$\pm$ ---	$\pm$ ---																				
	3 PLACES	$\pm$ ---	$\pm$ ---																				
2 PLACES	$\pm 0.13$	$\pm$ ---																					
1 PLACE	$\pm 0.25$	$\pm$ ---																					
0 PLACE	$\pm$	$\pm$																					
MATERIAL NO. DOCUMENT NO. SD-74548-100 SHEET NO. 2 OF 4	DRAFT WHERE APPLICABLE MUST REMAIN WITHIN DIMENSIONS		SEE P/N TABLE	THIS DRAWING CONTAINS INFORMATION THAT IS PROPRIETARY TO MOLEX INCORPORATED AND SHOULD NOT BE USED WITHOUT WRITTEN PERMISSION																			
ANGLAR $\pm 1/2^\circ$																							
SEE REVISION TABLE																							

GROUND PAD FOR  
1 PORT GUIDE RAIL

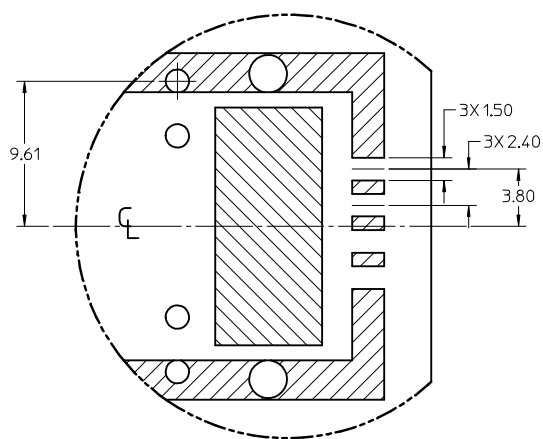


REF. SD-75586-001 FOR  
RECEPTACLE AND PCB  
LAYOUT INFORMATION



PCB THICKNESS	SCREW LENGTH	TORQUE (IN LBS)
1.6 (.063')	5MM	2.3
2.38 (.093')	6MM	2.3
3.2 (.125')	6MM	2.3
X	+4MM MAX	2.3

24.21  
(MIN CENTER TO CENTER RAIL  
SPACING USING M2X0.4 FLAT  
HEAD OR BUTTON HEAD SCREWS)



DETAIL1  
SCALE 4:1

IO BRACKET  
WINDOW

PART NUMBER	SW	OAW	PORT SIZE	KEY(S)	IDENTIFIERS	ELASTOMERIC GASKET FLAMMABILITY RATING
745480101	19.24	22.95	1	1	SATA - 'X' CABLES	94HB
745480109	19.24	22.95	1	2,4	SAS OUT PORT/END DEVICE	94HB
745480110	19.24	22.95	1	4,6	SAS IN PORT/END DEVICE	94HB
745480111	19.24	22.95	1	4	SAS UNIVERSAL PORT	94HB
745480114	19.24	22.95	1	7	SATA - 'M' CABLES	94HB
745480119	19.24	22.95	1	2	SAS - OUT PORT	94HB
745480122	19.24	22.95	1	6	SAS - IN PORT	94HB
745480125	19.24	22.95	1	3	SRIO	94HB

iPass™ is a Trademark of Molex, Inc.

SEE REVISION TABLE	QUALITY SYMBOLS	GENERAL TOLERANCES (UNLESS SPECIFIED)		DIMENSION STYLE MM ONLY		SCALE	DESIGN UNITS	THIRD ANGLE PROJECTION	
		mm	INCH	DRAWN BY	DATE	2:1	METRIC		
EC NO: CPG2015-3882	▽=0	4 PLACES	± ---	± ---	SNABARRO	2006/05/26			
DRWIN:LUZ0	▽=0	3 PLACES	± ---	± ---	CHECKED BY	DATE			
CHKD:SYANG16	▽=0	2 PLACES	± 0.13	± ---	BREED	2006/05/26			
APPR:RCHEN08	▽=0	1 PLACE	± 0.25	± ---	APPROVED BY	DATE			
REV		0 PLACE	±	±	DDOYE	2006/05/26			
		ANGULAR ±1/2°		MATERIAL NO.		DOCUMENT NO.		SHEET NO.	
		DRAFT WHERE APPLICABLE MUST REMAIN WITHIN DIMENSIONS		SEE P/N TABLE		SD-74548-100		3 OF 4	
		THIS DRAWING CONTAINS INFORMATION THAT IS PROPRIETARY TO MOLEX INCORPORATED AND SHOULD NOT BE USED WITHOUT WRITTEN PERMISSION							

I-PASS 26CKT ONE DEG.  
EMI GUIDE RAIL HOUSING  
ASSEMBLY, MULTI PORT

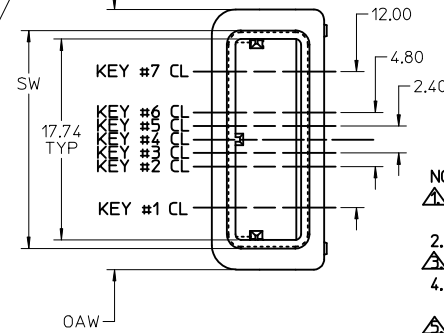
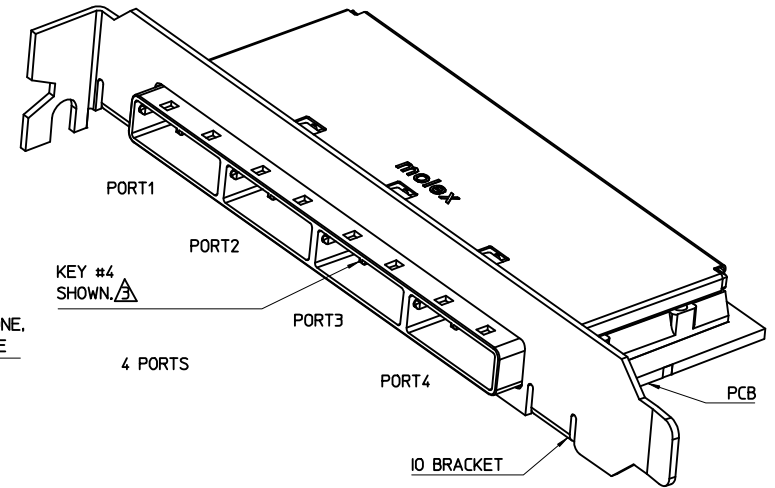
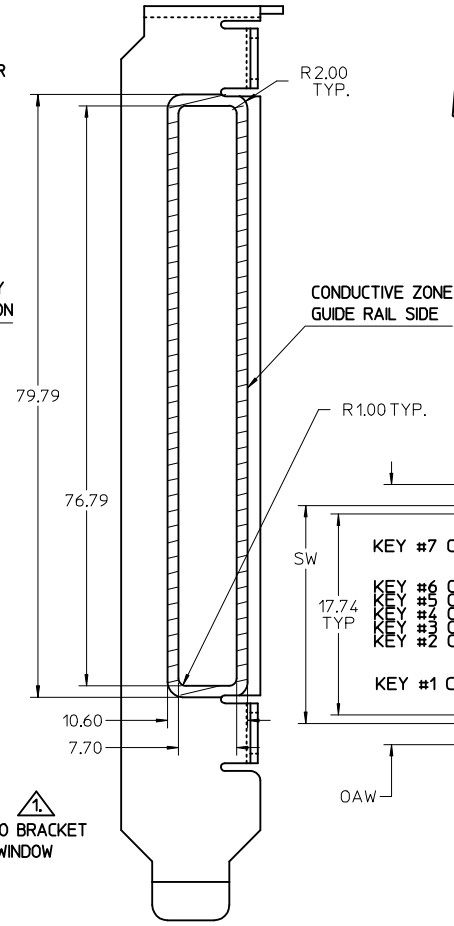
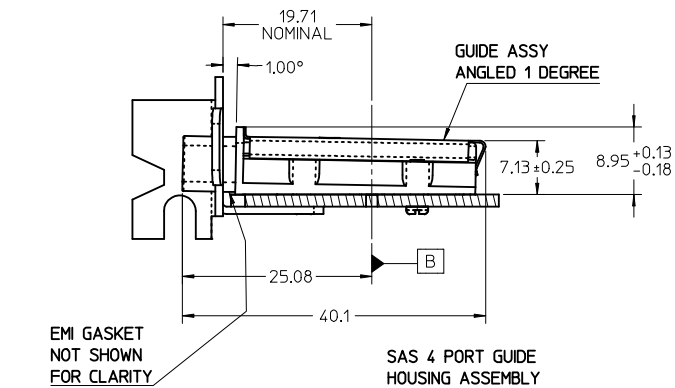
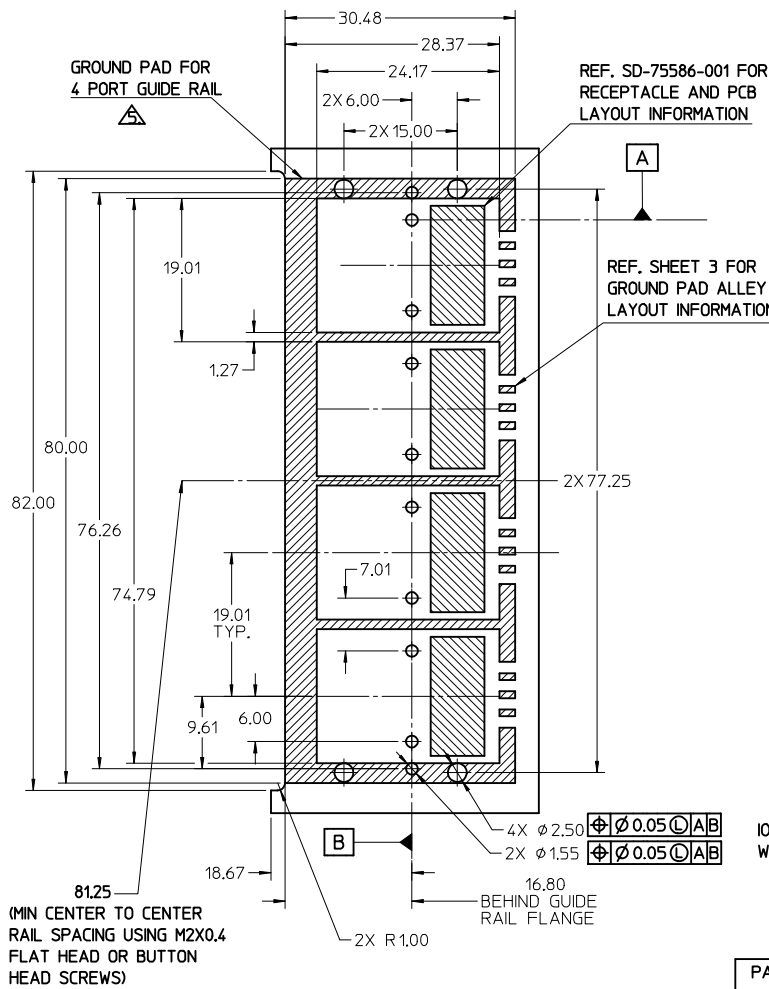
**molex**



REVISION HISTORY

DATE	REV	DESCRIPTION
2015/01/23	R	1. ADDED "MM 3D MODEL: EM-74548-100 (SD_PACKAGE)" ON LEFT TOP CORNER. [SHT 1] 2. NOTE 7 CHANGED AS "NO RoHS EXEMPTIONS". [SHT 1] 3. NOTE 6 ADDED "GASKET: CONDUCTIVE ELASTOMER." [SHT 1] 4. ADDED ELASTOMERIC GASKET FLAMMABILITY RATING. [SHT 1, 2, 3] 5. ADDED 74548-0128. [SHT 2]

SEE REVISION TABLE EC NO: CFG2015-3882 DRWNLU20 2015/01/22 CHKD:SYANG16 2015/01/26 APPR:RCHEM08 2015/02/03 REV	QUALITY SYMBOLS 	GENERAL TOLERANCES (UNLESS SPECIFIED) <table style="width: 100%; border-collapse: collapse;"> <tr> <th></th> <th>mm</th> <th>INCH</th> </tr> <tr> <td>4 PLACES</td> <td>± .---</td> <td>± .---</td> </tr> <tr> <td>3 PLACES</td> <td>± .---</td> <td>± .---</td> </tr> <tr> <td>2 PLACES</td> <td>± 0.13</td> <td>± .---</td> </tr> <tr> <td>1 PLACE</td> <td>± 0.25</td> <td>± .---</td> </tr> <tr> <td>0 PLACE</td> <td>±</td> <td>±</td> </tr> </table>		mm	INCH	4 PLACES	± .---	± .---	3 PLACES	± .---	± .---	2 PLACES	± 0.13	± .---	1 PLACE	± 0.25	± .---	0 PLACE	±	±	DIMENSION STYLE MM ONLY DRAWN BY DATE SNAVARRO 2006/05/26 CHECKED BY DATE BREED 2006/05/26 APPROVED BY DATE DDOYE 2006/05/26	SCALE DESIGN UNITS METRIC	THIRD ANGLE PROJECTION 
		mm	INCH																				
	4 PLACES	± .---	± .---																				
	3 PLACES	± .---	± .---																				
	2 PLACES	± 0.13	± .---																				
1 PLACE	± 0.25	± .---																					
0 PLACE	±	±																					
		DRAFT WHERE APPLICABLE MUST REMAIN WITHIN DIMENSIONS	SEE P/N TABLE MATERIAL NO.	TITLE I-PASS 26CKT ONE DEG. EMI GUIDE RAIL HOUSING ASSEMBLY, MULTI PORT <b style="font-size: 1.2em;">molex</b>	DOCUMENT NO. SD-74548-100																		
		ANGULAR ±1/2°	SIZE 	SHEET NO. 4 OF 4	THIS DRAWING CONTAINS INFORMATION THAT IS PROPRIETARY TO MOLEX INCORPORATED AND SHOULD NOT BE USED WITHOUT WRITTEN PERMISSION																		



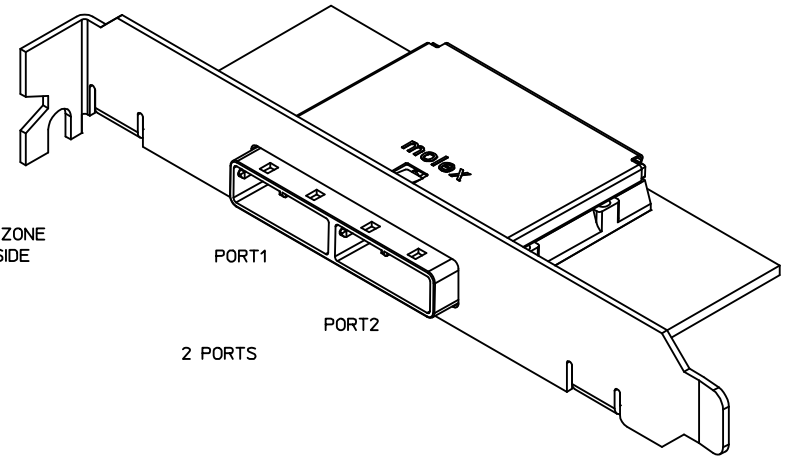
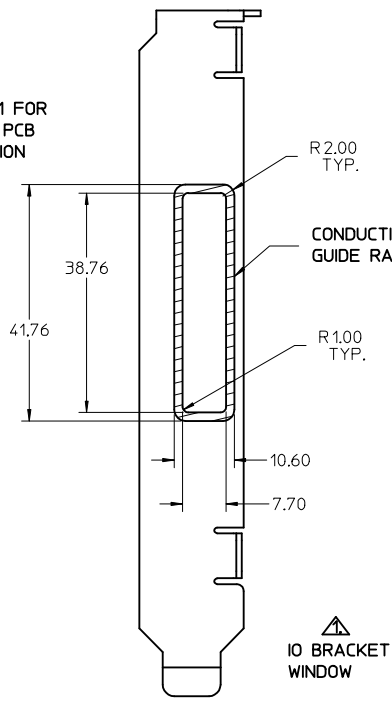
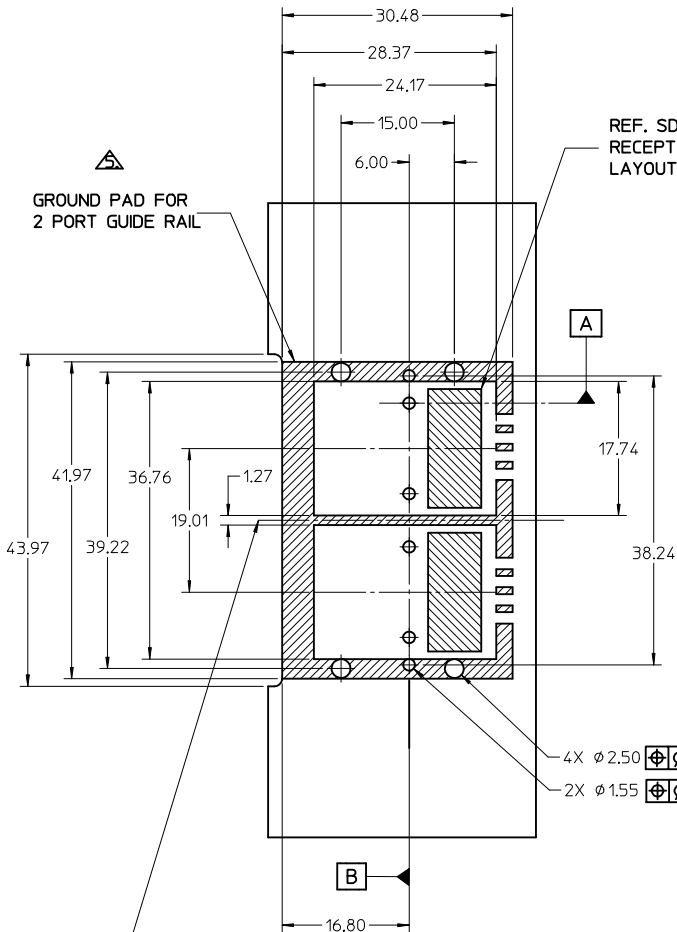
- NOTES:
- REF. PCI EXPRESS CARD ELECTROMECHANICAL SPECIFICATION, REV 1.0a FOR BRACKET WINDOW LOCATION.
  - PCB AND BRACKET SHOWN FOR REFERENCE ONLY.
  - REF. SD-74547-100 FOR KEY POSITIONS.
  - GUIDE HOUSING MOUNTING THREAD= M2 X 0.40, SEE SHEET 3 FOR SCREW LENGTH + TORQUE SPEC.
  - PLATE GROUND PAD WITH EMERSION SILVER OR GOLD.
  - MATERIAL:  
GUIDE HOUSING - ZINC DIECAST, NICKEL PLATED.  
COVER - STAINLESS STEEL.  
GASKET: CONDUCTIVE ELASTOMER
  - NO RoHS EXEMPTIONS.
  - GUIDE HOUSING PEGS FOR ALIGNMENT ONLY, DO NOT SOLDER.

PART NUMBER	SW	OAW	PORT SIZE	KEY(S) PORT1	KEY(S) PORT2	KEY(S) PORT3	KEY(S) PORT4	IDENTIFIERS	ELASTOMERIC GASKET FLAMMABILITY RATING
745480100	76.29	79.99	4	1	1	1	1	SATA - 'X' CABLES	94HB
745480103	76.29	79.99	4	2,4	2,4	2,4	2,4	SAS OUT PORT/END DEVICE	94HB
745480104	76.29	79.99	4	4,6	4,6	4,6	4,6	SAS IN PORT/END DEVICE	94HB
745480105	76.29	79.99	4	4	4	4	4	SAS UNIVERSAL PORT	94HB
745480112	76.29	79.99	4	7	7	7	7	SATA - 'M' CABLES	94HB
745480117	76.29	79.99	4	2	2	2	2	SAS - OUT PORT	94HB
745480120	76.29	79.99	4	6	6	6	6	SAS - IN PORT	94HB

<b>SEE REVISION TABLE</b> EC NO: CPG2015-3882 DRWN:LUZ0 2015/01/22 CHKD:SYANG16 2015/01/26 APPR:RCHEN08 2015/02/03	QUALITY SYMBOLS ▽=0 ▽=0 ▽=0	GENERAL TOLERANCES (UNLESS SPECIFIED)		DIMENSION STYLE <b>MM ONLY</b>		SCALE 2:1	DESIGN UNITS METRIC	THIRD ANGLE PROJECTION		
		4 PLACES ± --- ± --- 3 PLACES ± --- ± --- 2 PLACES ± 0.13 ± --- 1 PLACE ± 0.25 ± --- 0 PLACE ± ±	mm INCH ± --- ± --- ± 0.13 ± --- ± 0.25 ± --- ± ±	DRAWN BY SNAVARRO	DATE 2006/05/26	CHECKED BY BREED	DATE 2006/05/26	TITLE <b>I-PASS 26CKT ONE DEG. EMI GUIDE RAIL HOUSING ASSEMBLY, MULTI PORT</b>		
		ANGULAR ±1/2°		APPROVED BY DDOYE	DATE 2006/05/26	MATERIAL NO. DOCUMENT NO.			SHEET NO. 1 OF 4	
		DRAFT WHERE APPLICABLE MUST REMAIN WITHIN DIMENSIONS		SEE P/N TABLE		SD-74548-100			THIS DRAWING CONTAINS INFORMATION THAT IS PROPRIETARY TO MOLEX INCORPORATED AND SHOULD NOT BE USED WITHOUT WRITTEN PERMISSION	

iPass™ is a Trademark of Molex, Inc.

**molex**



4X  $\phi 2.50$   $\oplus \phi 0.05 \text{ (C) } | \text{ A } | \text{ B } |$   
 2X  $\phi 1.55$   $\oplus \phi 0.05 \text{ (C) } | \text{ A } | \text{ B } |$

43.22  
 (MIN CENTER TO CENTER RAIL SPACING USING M2X0.4 FLAT HEAD OR BUTTON HEAD SCREWS)

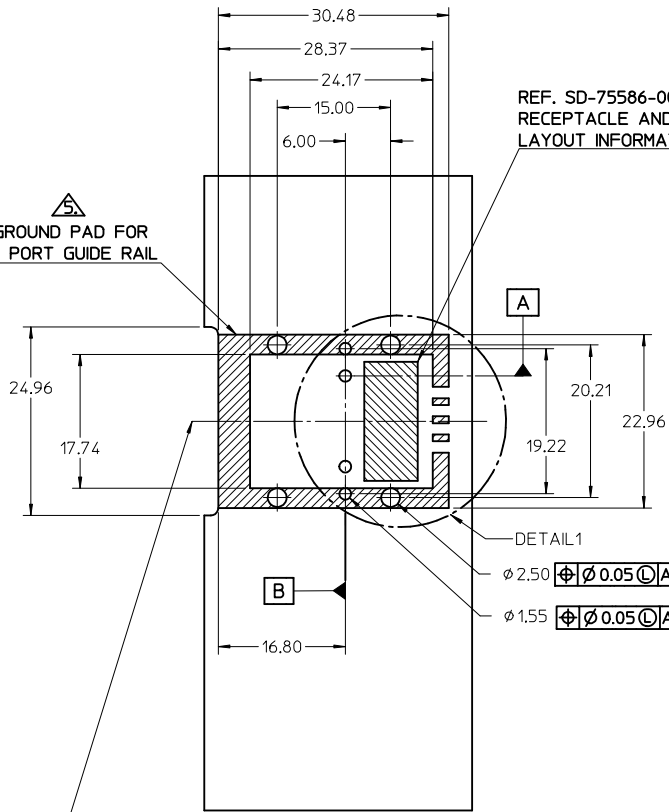
B

PART NUMBER	SW	OAW	PORT SIZE	KEY(S) PORT 1	KEY(S) PORT 2	IDENTIFIERS	ELASTOMERIC GASKET FLAMMABILITY RATING
745480102	38.26	41.96	2	1	1	SATA - 'X' CABLES	94HB
745480106	38.26	41.96	2	2,4	2,4	SAS OUT PORT/END DEVICE	94HB
745480107	38.26	41.96	2	4,6	4,6	SAS IN PORT/END DEVICE	94HB
745480108	38.26	41.96	2	4	4	SAS UNIVERSAL PORT	94HB
745480113	38.26	41.96	2	7	7	SATA - 'M' CABLES	94HB
745480115	38.26	41.96	2	4,6	2,4	SAS IN PORT - SAS OUT PORT	94HB
745480116	38.26	41.96	2	2,4	4,6	SAS OUT PORT - SAS IN PORT	94HB
745480118	38.26	41.96	2	2	2	SAS - OUT PORT	94HB
745480121	38.26	41.96	2	6	6	SAS - IN PORT	94HB
745480124	38.26	41.96	2	3	3	SRIO	94HB
745480128	38.26	41.96	2	2,4	4,6	SAS OUT PORT - SAS IN PORT	94V-0

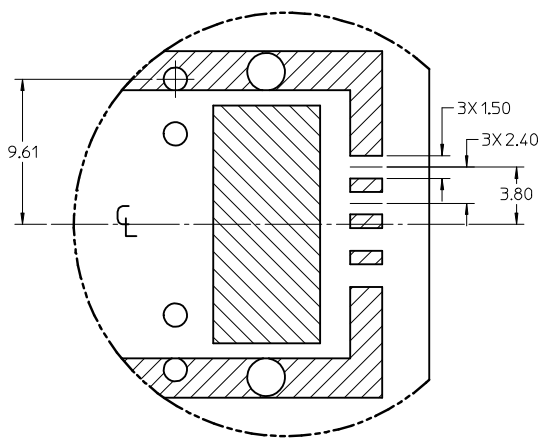
iPass™ is a Trademark of Molex, Inc.

<b>SEE REVISION TABLE</b> EC NO: CPG2015-3682 DRW: LUD0 2015/01/22 CHK: SYANG16 2015/01/26 APPR: RCHM08 2015/02/03	QUALITY SYMBOLS $\nabla = 0$ $\nabla = 0$ $\nabla = 0$	GENERAL TOLERANCES (UNLESS SPECIFIED) <table border="1"> <tr> <th></th> <th>mm</th> <th>INCH</th> </tr> <tr> <td>4 PLACES</td> <td><math>\pm</math> ---</td> <td><math>\pm</math> ---</td> </tr> <tr> <td>3 PLACES</td> <td><math>\pm</math> ---</td> <td><math>\pm</math> ---</td> </tr> <tr> <td>2 PLACES</td> <td><math>\pm</math> 0.13</td> <td><math>\pm</math> ---</td> </tr> <tr> <td>1 PLACE</td> <td><math>\pm</math> 0.25</td> <td><math>\pm</math> ---</td> </tr> <tr> <td>0 PLACE</td> <td><math>\pm</math></td> <td><math>\pm</math></td> </tr> </table>		mm	INCH	4 PLACES	$\pm$ ---	$\pm$ ---	3 PLACES	$\pm$ ---	$\pm$ ---	2 PLACES	$\pm$ 0.13	$\pm$ ---	1 PLACE	$\pm$ 0.25	$\pm$ ---	0 PLACE	$\pm$	$\pm$	DIMENSION STYLE <b>MM ONLY</b> DRAWN BY: SNAVARRO DATE: 2006/05/26 CHECKED BY: BREED DATE: 2006/05/26 APPROVED BY: DDOYE DATE: 2006/05/26	SCALE: 2:1 DESIGN UNITS: METRIC THIRD ANGLE PROJECTION	TITLE: <b>I-PASS 26CKT ONE DEG. EMI GUIDE RAIL HOUSING ASSEMBLY, MULTI PORT</b> 
		mm	INCH																				
	4 PLACES	$\pm$ ---	$\pm$ ---																				
	3 PLACES	$\pm$ ---	$\pm$ ---																				
2 PLACES	$\pm$ 0.13	$\pm$ ---																					
1 PLACE	$\pm$ 0.25	$\pm$ ---																					
0 PLACE	$\pm$	$\pm$																					
MATERIAL NO. DOCUMENT NO.	SHEET NO. 2 OF 4	<b>SEE P/N TABLE</b> SD-74548-100		THIS DRAWING CONTAINS INFORMATION THAT IS PROPRIETARY TO MOLEX INCORPORATED AND SHOULD NOT BE USED WITHOUT WRITTEN PERMISSION																			
DRAFT WHERE APPLICABLE MUST REMAIN WITHIN DIMENSIONS		DRAFT WHERE APPLICABLE MUST REMAIN WITHIN DIMENSIONS																					
SEE P/N TABLE																							

GROUND PAD FOR  
1 PORT GUIDE RAIL

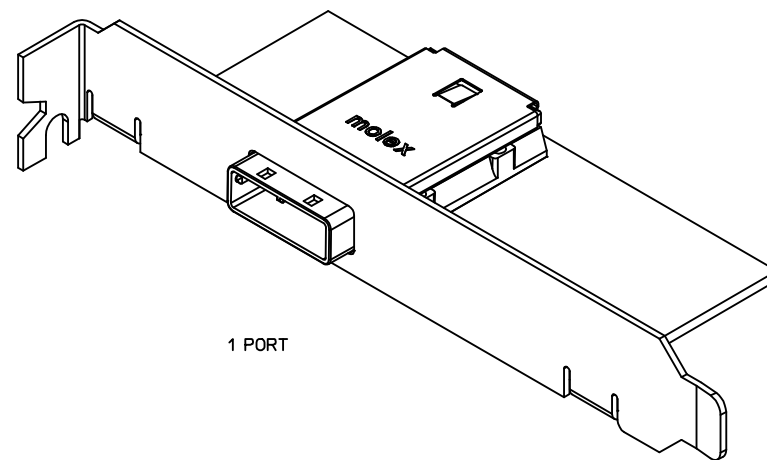
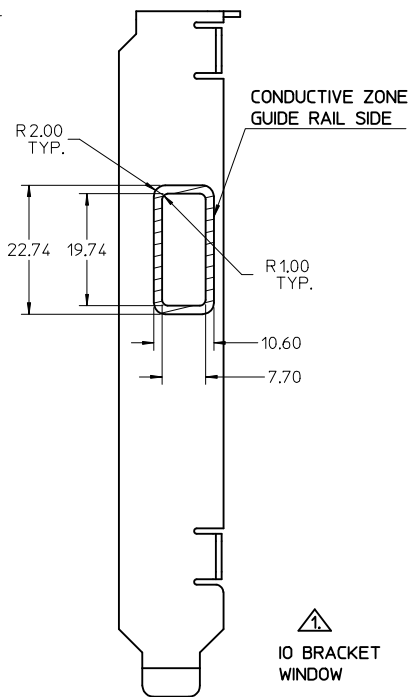


24.21  
(MIN CENTER TO CENTER RAIL  
SPACING USING M2X0.4 FLAT  
HEAD OR BUTTON HEAD SCREWS)



DETAIL1  
SCALE 4:1

REF. SD-75586-001 FOR  
RECEPTACLE AND PCB  
LAYOUT INFORMATION



PCB THICKNESS	SCREW LENGTH	TORQUE (IN LBS)
1.6 (.063')	5MM	2.3
2.38 (.093')	6MM	2.3
3.2 (.125')	6MM	2.3
X	+4MM MAX	2.3

PART NUMBER	SW	OAW	PORT SIZE	KEY(S)	IDENTIFIERS	ELASTOMERIC GASKET FLAMMABILITY RATING
745480101	19.24	22.95	1	1	SATA - 'X' CABLES	94HB
745480109	19.24	22.95	1	2,4	SAS OUT PORT/END DEVICE	94HB
745480110	19.24	22.95	1	4,6	SAS IN PORT/END DEVICE	94HB
745480111	19.24	22.95	1	4	SAS UNIVERSAL PORT	94HB
745480114	19.24	22.95	1	7	SATA - 'M' CABLES	94HB
745480119	19.24	22.95	1	2	SAS - OUT PORT	94HB
745480122	19.24	22.95	1	6	SAS - IN PORT	94HB
745480125	19.24	22.95	1	3	SRIO	94HB

iPass™ is a Trademark of Molex, Inc.

SEE REVISION TABLE	QUALITY SYMBOLS	GENERAL TOLERANCES (UNLESS SPECIFIED)		DIMENSION STYLE MM ONLY		SCALE 2:1	DESIGN UNITS METRIC	THIRD ANGLE PROJECTION
		mm	INCH	DRAWN BY	DATE			
EC NO: CPG2015-3882 DRWIN:LUZ0 2015/01/22 CHKD:SYANG16 2015/01/26 APPR:RCHEN08 2015/02/03 REV	▽=0	4 PLACES ±	±	SNABARRO	2006/05/26	TITLE <b>I-PASS 26CKT ONE DEG. EMI GUIDE RAIL HOUSING ASSEMBLY, MULTI PORT</b> <b>molex</b> DOCUMENT NO. SD-74548-100 SHEET NO. 3 OF 4		
	▽=0	3 PLACES ±	±	CHECKED BY	DATE			
	▽=0	2 PLACES ±	±	BREED	2006/05/26			
	▽=0	1 PLACE ±	±	APPROVED BY	DATE			
	▽=0	0 PLACE ±	±	DDOYE	2006/05/26			
DRAFT WHERE APPLICABLE MUST REMAIN WITHIN DIMENSIONS		ANGULAR ±1/2°		SEE P/N TABLE				
THIS DRAWING CONTAINS INFORMATION THAT IS PROPRIETARY TO MOLEX INCORPORATED AND SHOULD NOT BE USED WITHOUT WRITTEN PERMISSION								

REVISION HISTORY

DATE	REV	DESCRIPTION
2015/01/23	R	1. ADDED *MM 3D MODEL: EM-74548-100 (SD_PACKAGE)* ON LEFT TOP CORNER. [SHT 1] 2. NOTE 7 CHANGED AS *NO RoHS EXEMPTIONS*. [SHT 1] 3. NOTE 6 ADDED *GASKET: CONDUCTIVE ELASTOMER.* [SHT 1] 4. ADDED ELASTOMERIC GASKET FLAMMABILITY RATING. [SHT 1, 2, 3] 5. ADDED 74548-0128. [SHT 2]

<b>SEE REVISION TABLE</b> EC NO: CFG2015-3882 DRWNLU20 2015/01/22 CHKD:SYANG16 2015/01/26 APPR:RCHEM08 2015/02/03	QUALITY SYMBOLS =0 =0 =0	GENERAL TOLERANCES (UNLESS SPECIFIED)	DIMENSION STYLE <b>MM ONLY</b>	SCALE	DESIGN UNITS <b>METRIC</b>	THIRD ANGLE PROJECTION
		4 PLACES ± --- ± --- 3 PLACES ± --- ± --- 2 PLACES ± 0.13 ± --- 1 PLACE ± 0.25 ± --- 0 PLACE ± ±	DRAWN BY DATE SNAVARRO 2006/05/26	TITLE I-PASS 26CKT ONE DEG. EMI GUIDE RAIL HOUSING ASSEMBLY, MULTI PORT		
		ANGULAR ±1/2°	CHECKED BY DATE BREED 2006/05/26			
		DRAFT WHERE APPLICABLE MUST REMAIN WITHIN DIMENSIONS	APPROVED BY DATE DDOYE 2006/05/26		MATERIAL NO. <b>SEE P/N TABLE</b>	DOCUMENT NO. SD-74548-100
		THIS DRAWING CONTAINS INFORMATION THAT IS PROPRIETARY TO MOLEX INCORPORATED AND SHOULD NOT BE USED WITHOUT WRITTEN PERMISSION				