

7

6

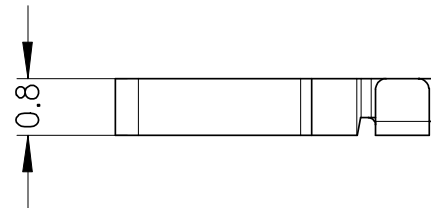
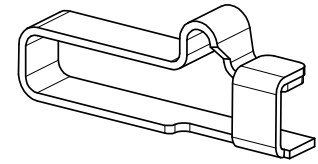
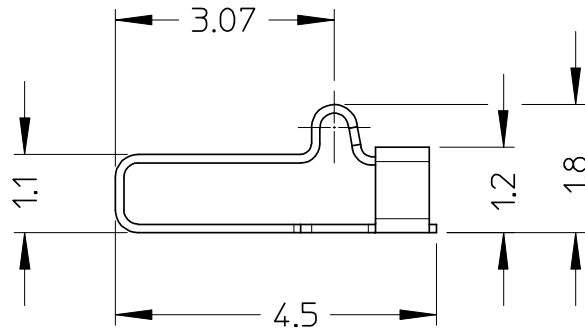
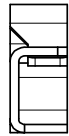
5

4

3

2

1



NOTES:

- 1. MATERIAL: BERYLLIUM COPPER 0.127 mm THICK.
0.07 μm MIN. Au OVER 1.27 μm MIN. Ni
- 2. CONTACT NORMAL FORCES @0.4 mm
DEFLECTION 0.30 N ±0.15 N
- 3. PACKAGING: T&R 8000 PCS/REEL,
8 REEL/BOX (SPQ=64000 PCS)

Std.Descr.: "MICRO SPRING CONTACT"

ENTER DESCRIPTION EC NO: Z2008-0143 DRWN:FGOTTARD 2008/03/17 CHKD:LSANTESSO 2008/03/17 APPR:GZUIN 2008/03/18	DESCRIPTION REV	QUALITY SYMBOLS	GENERAL TOLERANCES (UNLESS SPECIFIED)		DIMENSION STYLE MM ONLY		SCALE 10:1	DESIGN UNITS METRIC	FIRST ANGLE PROJECTION																					
		$\blacktriangledown = 0$ $\triangleleft = 0$	<table border="1"> <tr> <th></th> <th>mm</th> <th>INCH</th> </tr> <tr> <td>4 PLACES</td> <td>± ---</td> <td>± ---</td> </tr> <tr> <td>3 PLACES</td> <td>± ---</td> <td>± ---</td> </tr> <tr> <td>2 PLACES</td> <td>± 0.10</td> <td>± ---</td> </tr> <tr> <td>1 PLACE</td> <td>± 0.15</td> <td>± ---</td> </tr> <tr> <td colspan="3">ANGULAR ± ---°</td> </tr> </table>		mm	INCH	4 PLACES	± ---	± ---	3 PLACES	± ---	± ---	2 PLACES	± 0.10	± ---	1 PLACE	± 0.15	± ---	ANGULAR ± ---°			DRAWN BY FGOTTARDO		DATE 2008/14/03		TITLE MICRO SPRING CONTACT				
			mm	INCH																										
		4 PLACES	± ---	± ---																										
		3 PLACES	± ---	± ---																										
2 PLACES	± 0.10	± ---																												
1 PLACE	± 0.15	± ---																												
ANGULAR ± ---°																														
DRAFT WHERE APPLICABLE MUST REMAIN WITHIN DIMENSIONS		CHECKED BY RSANDANO		DATE 2008/14/03		APPROVED BY GZUIN																								
		MATERIAL NO. 94328-5001		DATE 2008/14/03		DOCUMENT NO. SD-94328-001		SHEET NO. 1 OF 1																						

6

5

4

3

2

1

7

6

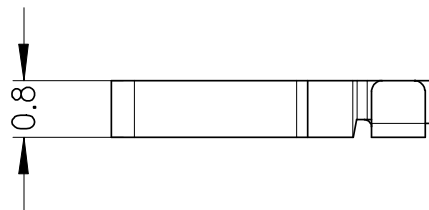
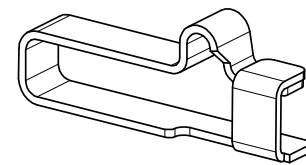
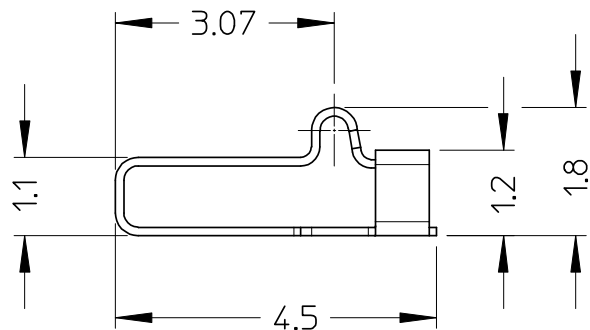
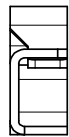
5

4

3

2

1



NOTES:

- 1. MATERIAL: BERYLLIUM COPPER 0.127 mm THICK.
0.07 μm MIN. Au OVER 1.27 μm MIN. Ni
- 2. CONTACT NORMAL FORCES @0.4 mm
DEFLECTION 0.30 N ±0.15 N
- 3. PACKAGING: T&R 8000 PCS/REEL,
8 REEL/BOX (SPQ=64000 PCS)

Std.Descr.: "MICRO SPRING CONTACT"

ENTER DESCRIPTION EC NO: Z2008-0143 DRWN:FGOTTARD 2008/03/17 CHKD:LSANTESSO 2008/03/17 APPR:GZUIN 2008/03/18	DESCRIPTION REV	QUALITY SYMBOLS	GENERAL TOLERANCES (UNLESS SPECIFIED)		DIMENSION STYLE MM ONLY		SCALE 10:1	DESIGN UNITS METRIC	FIRST ANGLE PROJECTION																				
		$\nabla=0$ $\triangle=0$	<table border="1"> <tr> <th></th> <th>mm</th> <th>INCH</th> </tr> <tr> <td>4 PLACES</td> <td>± ---</td> <td>± ---</td> </tr> <tr> <td>3 PLACES</td> <td>± ---</td> <td>± ---</td> </tr> <tr> <td>2 PLACES</td> <td>± 0.10</td> <td>± ---</td> </tr> <tr> <td>1 PLACE</td> <td>± 0.15</td> <td>± ---</td> </tr> <tr> <td colspan="3">ANGULAR ± ---°</td> </tr> </table>		mm	INCH	4 PLACES	± ---	± ---	3 PLACES	± ---	± ---	2 PLACES	± 0.10	± ---	1 PLACE	± 0.15	± ---	ANGULAR ± ---°			DRAWN BY FGOTTARDO	DATE 2008/14/03	TITLE MICRO SPRING CONTACT					
			mm	INCH																									
		4 PLACES	± ---	± ---																									
3 PLACES	± ---	± ---																											
2 PLACES	± 0.10	± ---																											
1 PLACE	± 0.15	± ---																											
ANGULAR ± ---°																													
DRAFT WHERE APPLICABLE MUST REMAIN WITHIN DIMENSIONS			CHECKED BY RSANDANO	DATE 2008/14/03	MOLEX INCORPORATED																								
			APPROVED BY GZUIN	DATE 2008/14/03	MATERIAL NO. 94328-5001		DOCUMENT NO. SD-94328-001		SHEET NO. 1 OF 1																				

6

5

4

3

2

1