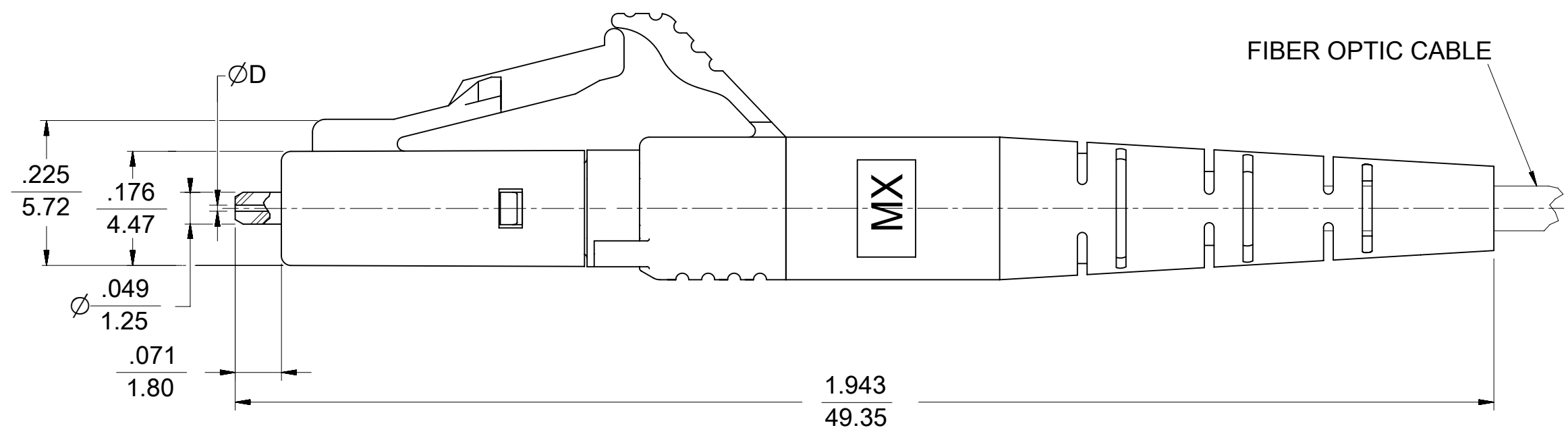
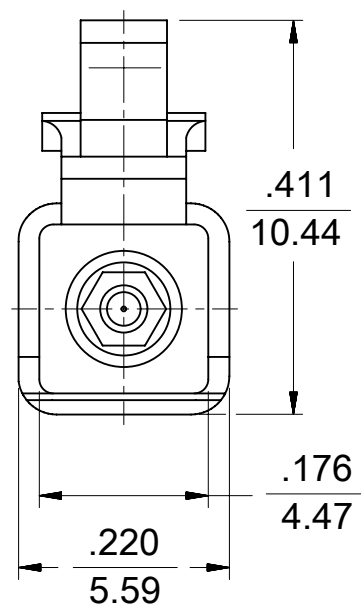


CONNECTOR P/N	ØD (µm)	BOOT COLOR	CABLE DESCRIPTION & Ø (mm)	CABLE TYPE
106024-2000	125.50	WHITE	SIMPLEX 1.6	SINGLE MODE
106024-2300			SIMPLEX 2.0	
106024-3000			ZIPCORD 1.6	
106024-3300	127.00		SIMPLEX 1.6	MULTIMODE
106024-3310*			SIMPLEX 2.0	
106024-3320			ZIPCORD 1.6	
106024-4301*	125.00		SIMPLEX 2.0	SINGLE MODE
			ZIPCORD 1.6	
106024-5000	126.00		SIMPLEX 1.6	
106024-5300			SIMPLEX 2.0	
106024-5310*			ZIPCORD 1.6	
106024-6000	125.25		SIMPLEX 1.6	SINGLE MODE
106024-6300		SIMPLEX 2.0		
		ZIPCORD 1.6		
106090-4250	125.10-125.50	SIMPLEX 1.6		
106090-4260		SIMPLEX 2.0		
106090-4270		ZIPCORD 1.6		
106090-4280	125.51-125.90	SIMPLEX 1.6		
		SIMPLEX 2.0		
		ZIPCORD 1.6		
106090-2900	125.50	SIMPLEX 1.6	SINGLE MODE	
106090-2930		SIMPLEX 2.0		
		ZIPCORD 1.6		
106090-4100	125.00	SIMPLEX 1.6		
106090-4130		SIMPLEX 2.0		
		ZIPCORD 1.6		
106090-6100	125.25	SIMPLEX 1.6		
106090-6130		SIMPLEX 2.0		
		ZIPCORD 1.6		
106090-6110	125.25	SIMPLEX 1.6		
106090-6135		SIMPLEX 2.0		
		ZIPCORD 1.6		
106024-3100	126.00		SIMPLEX 2.0	MULTIMODE
			ZIPCORD 1.6	



NOTES:

- DUST CAPS ARE NOT SHOWN BUT INCLUDED.
- P/N 106024-4301, 106024-3310 AND 106024-5310 ARE BULK PACKED.

FUNCTIONAL SYMBOLS	THIS DRAWING CONTAINS INFORMATION THAT IS PROPRIETARY TO MOLEX ELECTRONIC TECHNOLOGIES, LLC AND SHOULD NOT BE USED WITHOUT WRITTEN PERMISSION				
	DIMENSION UNITS	SCALE	CURRENT REV DESC: OBSOLETE PART NUMBER AS PER PCN#508521		
FA = 0	IN/MM	4:1	<p>molex</p> <p>LC CONNECTOR</p> <p>PRODUCT CUSTOMER DRAWING</p>		
FC = 0	GENERAL TOLERANCES (UNLESS SPECIFIED)				
FP = 0	4 PLACES	±			
	3 PLACES	±			
DIVISIONAL SYMBOLS	2 PLACES	±	EC NO: 667392	2021/04/29	
	1 PLACE	±	DRWN: ABHISP1	2021/07/05	
	0 PLACES	±	CHK'D: GGA	2021/07/05	
	ANGULAR TOL	± 0.5 °	APPR: GGA	2021/07/05	
	DRAFT WHERE APPLICABLE MUST REMAIN WITHIN DIMENSIONS	THIRD ANGLE PROJECTION	DRAWING	SERIES	DOCUMENT NUMBER
			C-SIZE	106024	SD-1060RR-RRRR
					DOC TYPE
					PSD
					DOC PART
					001
					REVISION
					B
					SHEET NUMBER
					1 OF 1