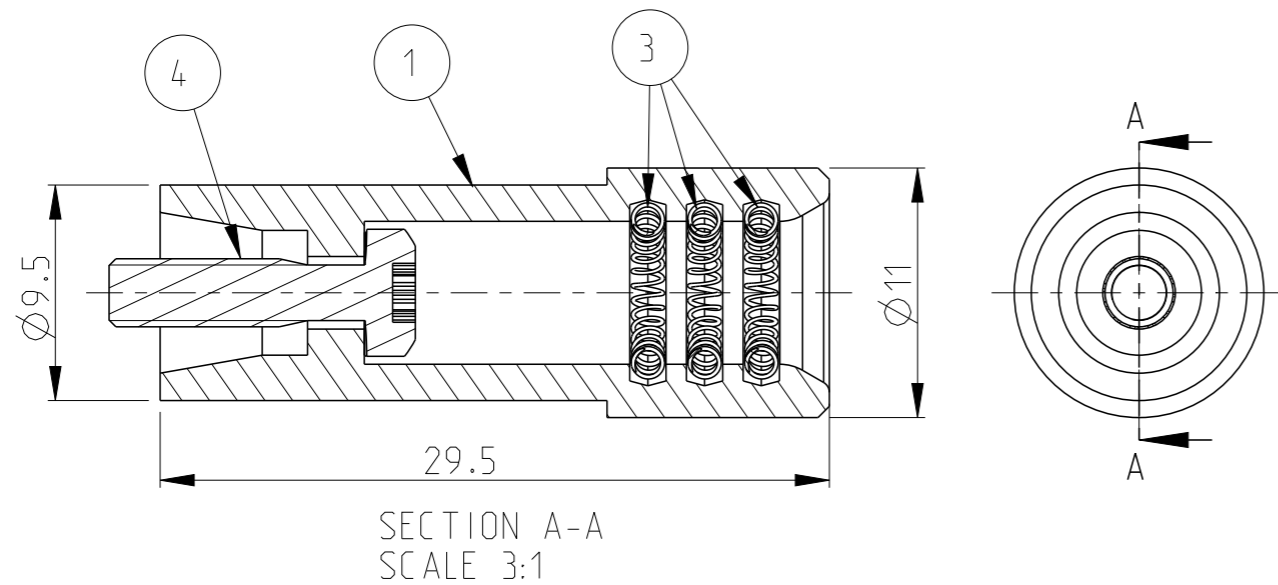


P	LTR	DESCRIPTION	DATE	DWN	APVD
	C5	ECR-21-123594	29JAN2022	RK	JB

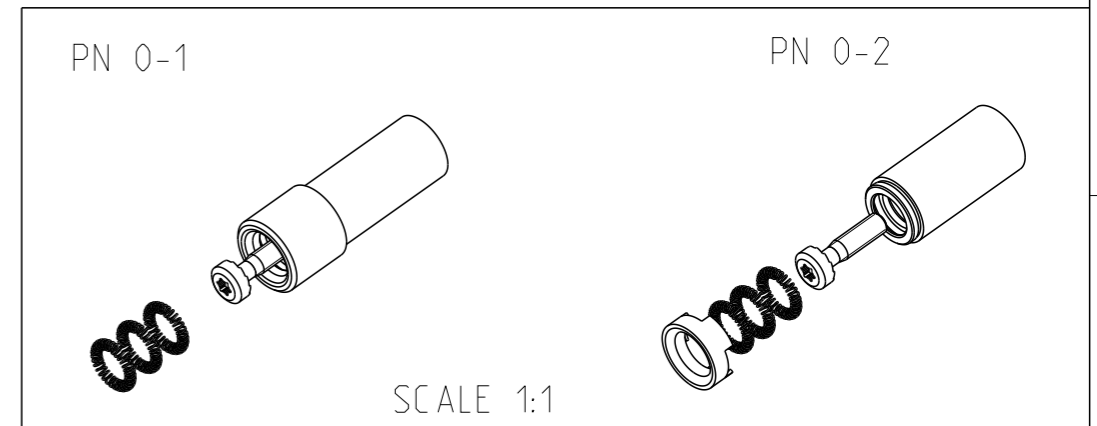
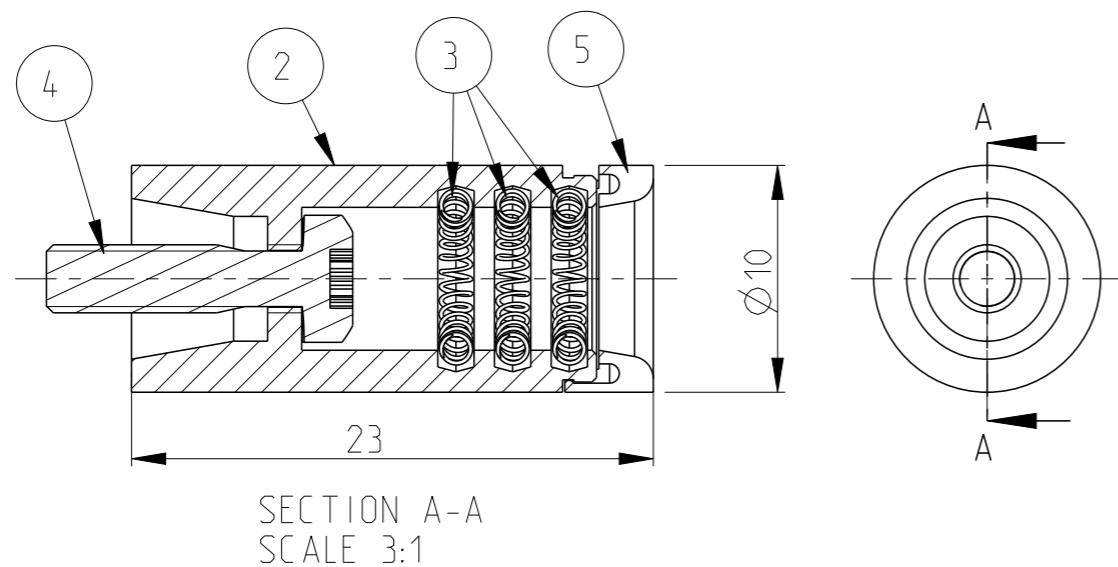
PN 0-1



NOTES

- SUITABLE CRIMP BARRELS:SERIES HF.06/08
CUSTOMER DRAWING: 1110952,1108807
- SUITABLE INSERTS:
FOR 0-1: SERIES MDL;MDL2
CUSTOMER DRAWING: 1102998,1103024,1104560,1110957
FOR 0-2: SERIES HVS;HC.20
CUSTOMER DRAWING: 1103242,1245441
- STANDARDS:
DIN EN 61984;DIN EN 60664-1
- PACKAGING QUANTITY: 10 SETS
IN A CARTON,PRE-MOUNTED

PN 0-2



OBSOLETE

QTY	DESCRIPTION	MATERIAL	SURFACE	COLOR	ITEM NO	REMARKS
1	IP20 PROTECTION	PA6.6-GF25	-	BLACK	5	FOR SOCKET CONTACT
1	SCREW	STAINL.STEEL	-	-	4	M3 SELF LOCKING
3	COIL SPRING	Cu/be	SILVER PLATED	-	3	RAD.6.0 mm
1	SOCKET CONTACT	BRASS	SILVER PLATED	-	2	SHORT VERSION
-	SOCKET CONTACT	BRASS	SILVER PLATED	-	1	LONG VERSION
0-2	DESCRIPTION	MATERIAL	SURFACE	COLOR	ITEM NO	REMARKS

HF.06.Bu
HF.06.Bu-IP20

THIS DRAWING IS A CONTROLLED DOCUMENT.

DIMENSIONS: mm	TOLERANCES UNLESS OTHERWISE SPECIFIED: R. ISO 2768-mS-E: n. ISO 2768-mH-E: DIN 16901-120
	0 PLC ± 1 PLC ± 2 PLC ± 3 PLC ± 4 PLC ± ANGLES ±
MATERIAL	FINISH

DWN	09/08/2005
G.WROBLEWSKI	
CHK	09/08/2005
H.BRAUN	
APVD	09/08/2005
T.SCHNURPFIL	
PRODUCT SPEC	108-74024
APPLICATION SPEC	114-74031
WEIGHT	-

TE Connectivity		NAME		RESTRICTED TO
		ASS'Y SOCKET CONTACT SERIES HF6		
SIZE	CAGE CODE	DRAWING NO		
A3	00779	C=1110949		
CUSTOMER DRAWING		SCALE	SHEET	REV
		5:1	1 OF 1	C5