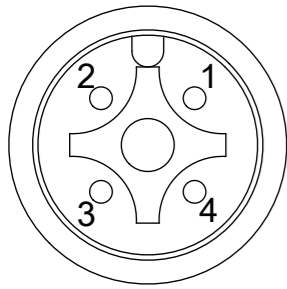


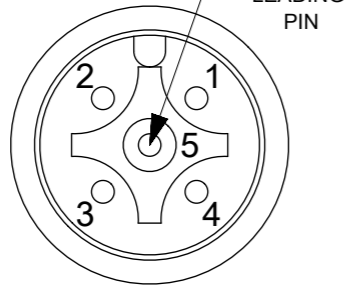
M12 4 POLE MALE



VIEW FROM THE FRONT SIDE

| Pin | Wire color |
|-----|------------|
| 1 | BROWN |
| 2 | WHITE |
| 3 | BLUE |
| 4 | BLACK |

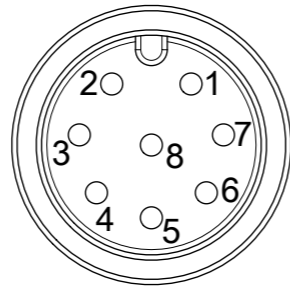
M12 5 POLE MALE



VIEW FROM THE FRONT SIDE

| Pin | Wire color |
|-----|------------|
| 1 | BROWN |
| 2 | WHITE |
| 3 | BLUE |
| 4 | BLACK |
| 5 | GREY |

M12 8 POLE MALE



VIEW FROM THE FRONT SIDE

| Pin | Wire color |
|-----|------------|
| 1 | WHITE |
| 2 | BROWN |
| 3 | GREEN |
| 4 | YELLOW |
| 5 | GREY |
| 6 | PINK |
| 7 | BLUE |
| 8 | RED |

ENGINEERING No. - NUMERICAL CODE

Rev. A Transferred to ECTR / New PNs added

(Available parts see PART LIST table. Others parts available upon request)

8 R X J 4 6 X X X X X X X X

8R = Receptacle M12

Poles:
4 = 4 Poles
5 = 5 Poles
8 = 8 Poles

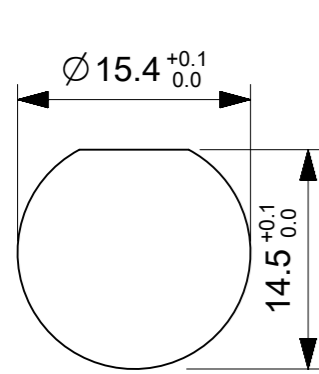
Shell type

Wires:
E03 = 22AWG PVC
E02 = 24AWG PVC
A16 = 18AWG PVC

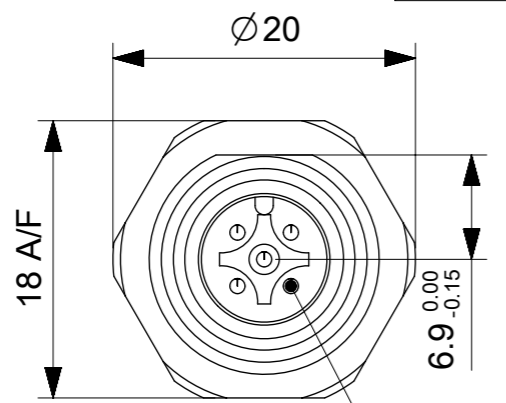
Units:
C = Centimeters
M = Meters

Length
Examples:
005 = 0.5 units
010 = 1 units
100 = 10 units

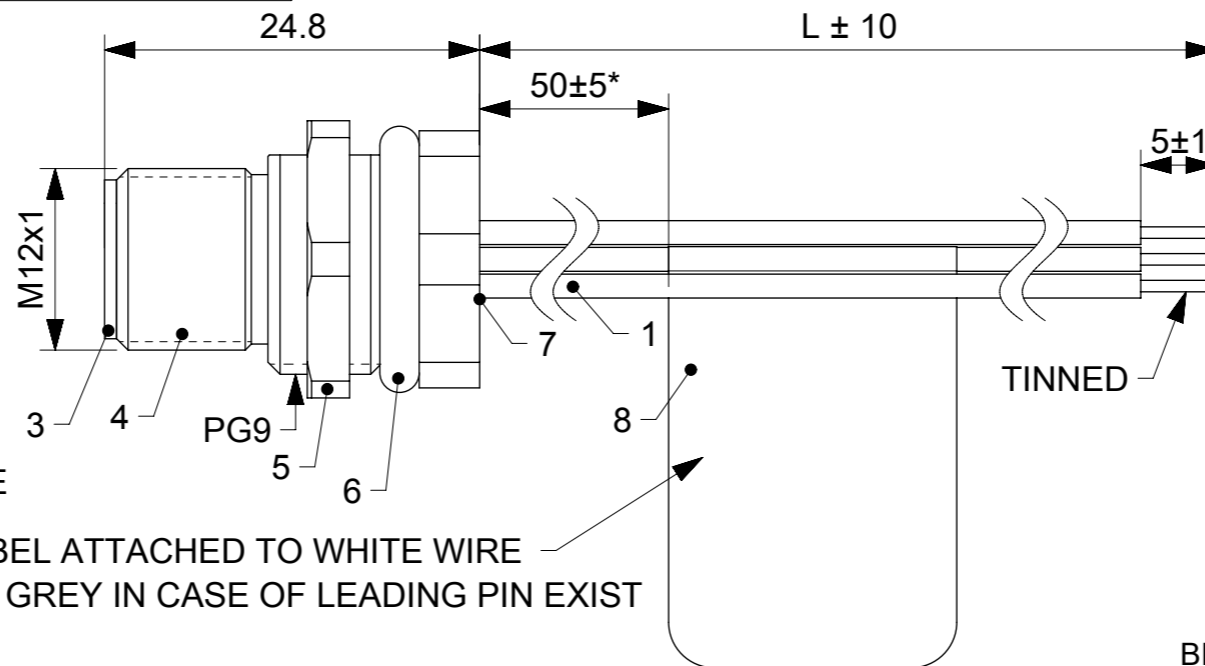
Shell material:
blank, 3 = Standard,
Brass Nickel plated



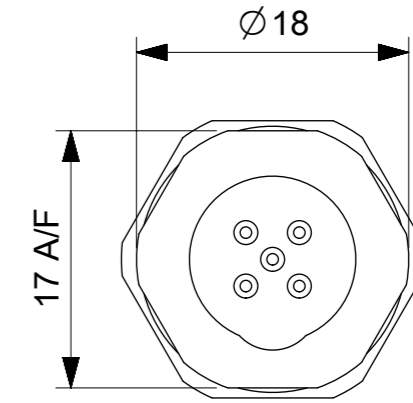
PANEL CUT OUT



VIEW FROM THE FRONT SIDE



LABEL ATTACHED TO WHITE WIRE
OR GREY IN CASE OF LEADING PIN EXIST



VIEW FROM THE WIRES SIDE

*10±2 FOR 1200708324

PART LIST

| Molex PN | Engineering No. | L [mm] |
|------------|-----------------|--------|
| 1200708324 | 8R4J46E02C040 | 40 |
| 1200705169 | 8R4J46E03C200 | 200 |
| 1200704002 | 8R4J46E03C3003 | 300 |
| 1200708121 | 8R4J46E03M0153 | 1500 |
| 1200708266 | 8R5J46E02C200 | 200 |
| 1200708205 | 8R5J46E02C3003 | 300 |
| 1200700234 | 8R5J46E03C3003 | 300 |
| 1200705181 | 8R8J46E02C200 | 200 |
| 1200700278 | 8R8J46E02C3003 | 300 |
| 1200110622 | 8R8J46E02M0153 | 1500 |
| 1200708073 | 8R8J46E02M015 | 1500 |

BILL OF MATERIALS

| ITEM | QTY. | DESCRIPTION | MATERIAL | FINISH |
|------|-------|-----------------------|------------|--------|
| 7 | - | POTTING MATERIAL | WEVO | - |
| 6 | 1 | O-RING | NBR | - |
| 5 | 1 | LOCKNUT PG9 | BRASS | Ni |
| 4 | 1 | SHELL M12x1 PG9 | BRASS | Ni |
| 3 | 1 | INSERT 4P/5P/8P BK | ELASTOLLAN | - |
| 2 | 4/5/8 | CONTACT MALE | BRASS | Au |
| 1 | - | WIRE 22/24 AWG UL1569 | PVC | - |
| ITEM | QTY. | DESCRIPTION | MATERIAL | FINISH |

| | | |
|--|---|--|
| SYMBOLS THIS DRAWING CONTAINS INFORMATION THAT IS PROPRIETARY TO MOLEX ELECTRONIC TECHNOLOGIES, LLC AND SHOULD NOT BE USED WITHOUT WRITTEN PERMISSION DIMENSION UNITS: mm SCALE: 2:1 GENERAL TOLERANCES (UNLESS SPECIFIED): ANGULAR TOL ± 1.0° 4 PLACES ± 3 PLACES ± 2 PLACES ± 0.05 1 PLACE ± 0.3 0 PLACES ± 0.5 DRAFT WHERE APPLICABLE MUST REMAIN WITHIN DIMENSIONS THIRD ANGLE PROJECTION DRAWING: A3-SIZE SERIES: 120070 | CURRENT REV DESC: EC NO: 617554 DRWN: MKOWALCZYK01 2019/05/20 CHK'D: DSTACHOWIAK 2019/05/20 APPR: DSTACHOWIAK 2019/05/20 INITIAL REVISION: DRWN: KKALICIAK 2016/09/09 APPR: MIWASIECZKO 2016/11/04 | REC M12 XP AC MA PVC XM PG9 BM PRODUCT CUSTOMER DRAWING DOCUMENT NUMBER: 1200708205 DOC TYPE: PSD DOC PART: 000 REVISION: A1 MATERIAL NUMBER: GENERAL MARKET CUSTOMER: 1 OF 1 |
| | DOCUMENT STATUS: P1 RELEASE DATE: 2019/05/20 10:07:15 | |