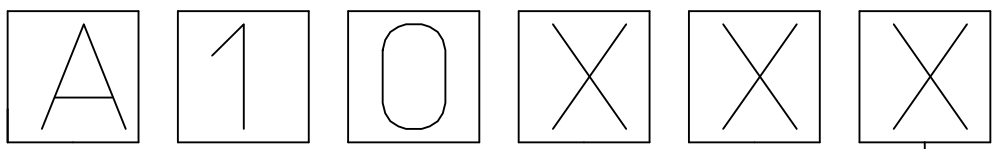


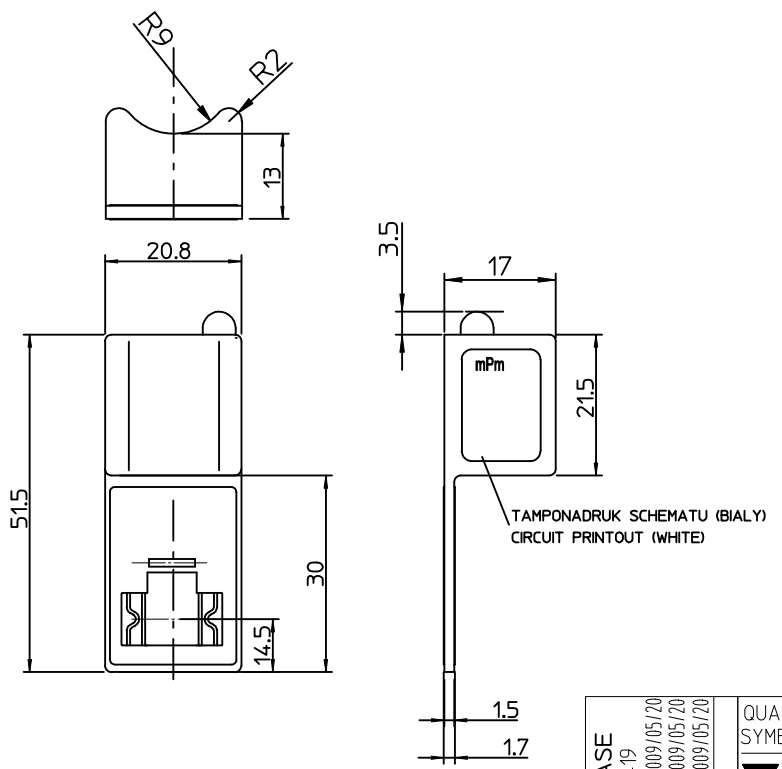
10 9 8 7 6 5 4 3 2 1



RODZAJ POLACZENIA/INTERNAL CIRCUIT
 PATRZ SCHEMATY POLACZEN/WIREING CONFIGURATION
 NAPIECIE ORAZ KOLOR DIODY/VOLTAGE AND LED COLOUR:

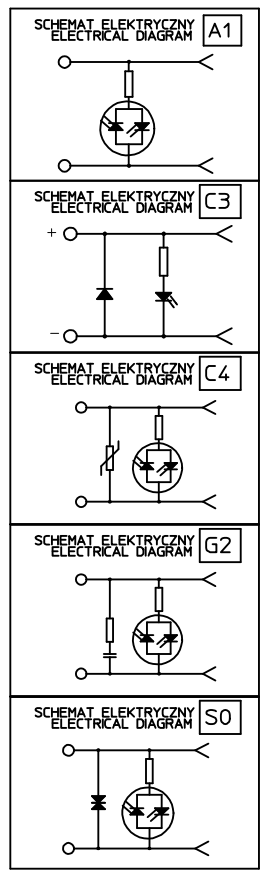
1= 12V	A= 12V	G= 12V
2= 24V	B= 24V	H= 24V
3= 48V	C= 48V	K= 48V
4= 115V	D= 115V	L= 115V
5= 230V	E= 230V	M= 230V

CZERWONA DIODA RED LED ZIELONA DIODA GREEN LED ZOLTA DIODA YELLOW LED



MOLEX PN	MPM PN
1210010353	A10C4H

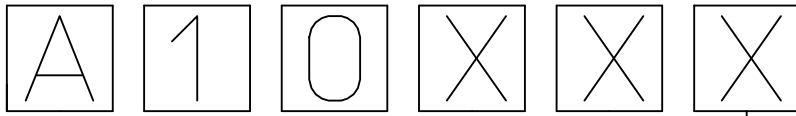
SCHEMATY POLACZEN
 /WIREING CONFIGURATION



ORIGINAL RELEASE EC NO: WEU2009-0479 DRWN: MWOLSZCZAK 2009/05/20 CHKD: MDABROWSKA 2009/05/20 APPR: GOGRODNIK 2009/05/20	QUALITY SYMBOLS	GENERAL TOLERANCES (UNLESS SPECIFIED)	DIMENSION STYLE	SCALE	DESIGN UNITS	FIRST ANGLE PROJECTION	
	DESCRIPTION	mm INCH	MM ONLY	---	METRIC		
	REV	4 PLACES ± --- ± ---	DRAWN BY DATE	TITLE			
		3 PLACES ± --- ± ---	CHECKED BY DATE	MPM A10 ADAPTORS			
		2 PLACES ± --- ± ---	APPROVED BY DATE	MOLEX INCORPORATED			
	1 PLACE ± --- ± ---	MATERIAL NO.	DOCUMENT NO.				
	ANGULAR ± --- °	DRAFT WHERE APPLICABLE MUST REMAIN WITHIN DIMENSIONS		SEE DRAWING		SHEET NO.	
		SIZE A3		THIS DRAWING CONTAINS INFORMATION THAT IS PROPRIETARY TO MOLEX INCORPORATED AND SHOULD NOT BE USED WITHOUT WRITTEN PERMISSION			

9 8 7 6 5 4 3 2 1

A10 - ADAPTOR FOR DIN B



INTERNAL CIRCUIT

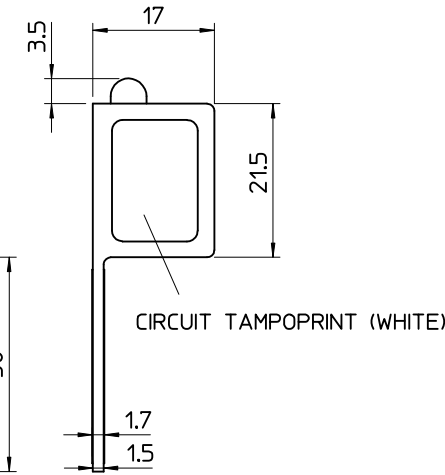
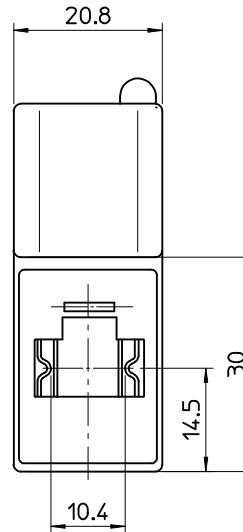
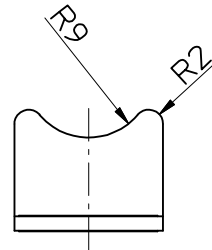
VOLTAGE AND LED COLOUR:

1= 12V	A= 12V	G= 12V
2= 24V	B= 24V	H= 24V
3= 48V	C= 48V	K= 48V
4= 115V	D= 115V	L= 115V
5= 230V	E= 230V	M= 230V

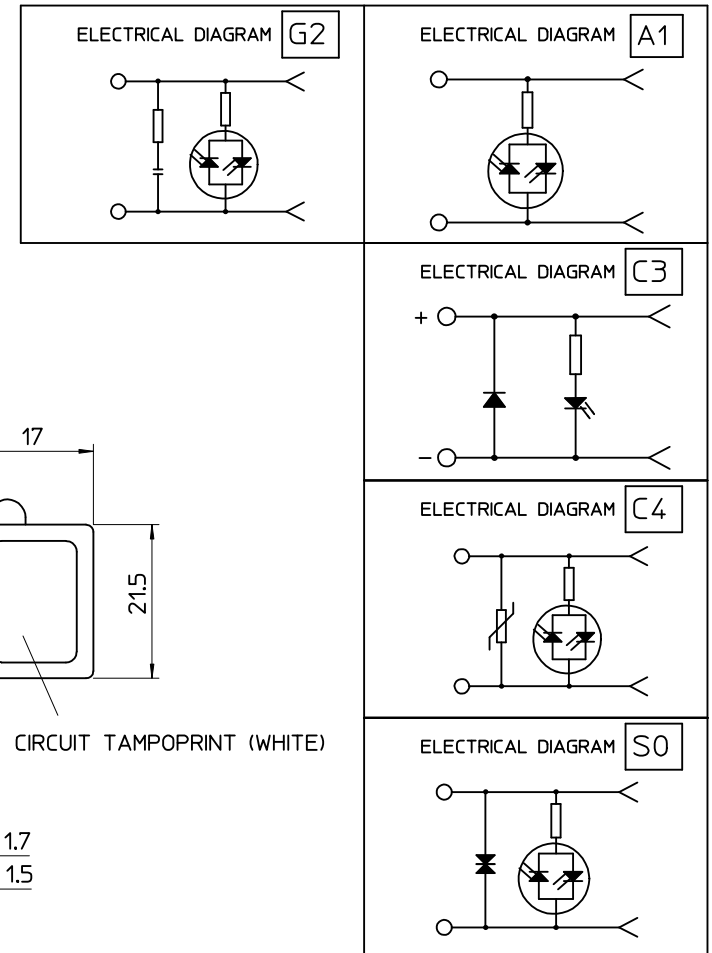
RED LED GREEN LED YELLOW LED

Chart 1

Engineering no.	SAP Part Number	Circuit type	LED Color
A10C4H	1210010353	C4 24V	Yellow
A10C4L	1210010442	C4 115V	Yellow
A10C4M	1210010443	C4 230V	Yellow



Wiring configuration



ORIGINAL RELEASE EC NO: IPG2013-1225 DRWN: JMARSZALEK 2013/02/11 CHKD: MSZWAJKOWSKI 2013/02/11 APPR: MIWASIECZKO 2013/02/12	QUALITY SYMBOLS ▽=0 ◻=0	GENERAL TOLERANCES (UNLESS SPECIFIED)		DIMENSION STYLE MM ONLY		SCALE -	DESIGN UNITS METRIC	FIRST ANGLE PROJECTION	
				DRAWN BY DATE JMARSZALEK 2013/02/11		TITLE LIGHTS ADAPTORS SERIES A10XXX FOR DIN B			
				CHECKED BY DATE MSZWAJKOWSKI 2013/02/11		molex DOCUMENT NO. SD-121001-010 SHEET NO. 1 OF 1			
				APPROVED BY DATE MIWASIECZKO 2013/02/12					
		ANGULAR ±---°		MATERIAL NO.					
		DRAFT WHERE APPLICABLE MUST REMAIN WITHIN DIMENSIONS		SEE CHART 1					
				SIZE A4		THIS DRAWING CONTAINS INFORMATION THAT IS PROPRIETARY TO MOLEX INCORPORATED AND SHOULD NOT BE USED WITHOUT WRITTEN PERMISSION			