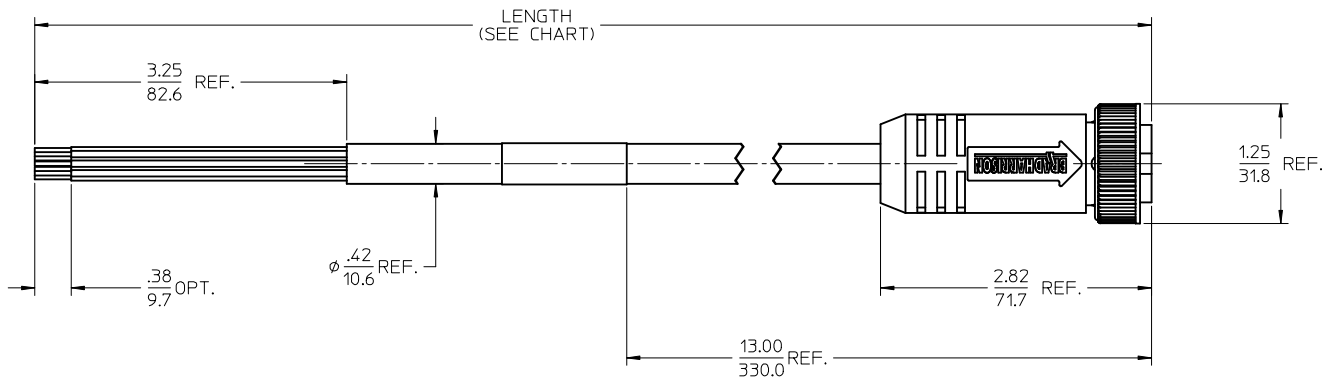
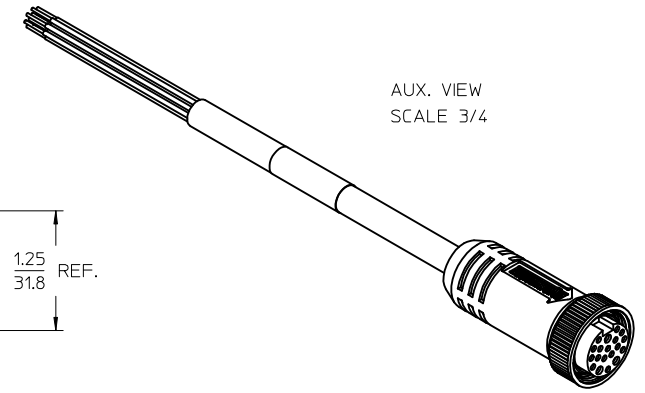


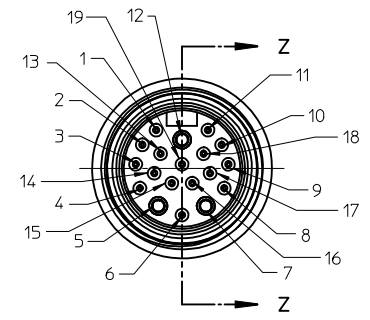
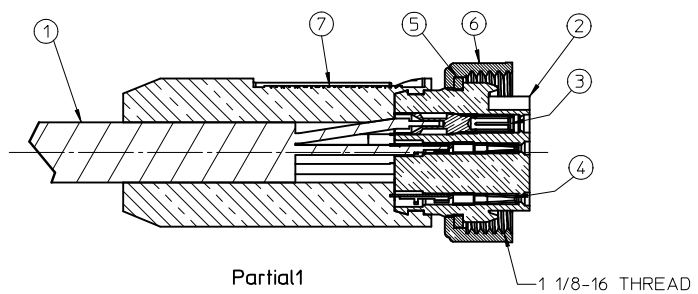
MATERIAL NO.	ENGINEERING NO.	LENGTH
1300080294	303000B20M050	16' 5" +6.50-0 (5M +16.5cm-0)
1300080295	303000B20M100	32' 10" +12.50-0 (10M +31.8cm-0)

TOP VIEW
SCALE: 1:1



VIOLET	P1
RED	1
GRAY	2
RED/BLUE	3
BLUE (-VE)	4
GREEN	5
BROWN (+VE)	6
WHITE/GREEN	7
WHITE/YELLOW	8
WHITE/GRAY	9
BLACK	10
YELLOW/GREEN (GRD)	11
YELLOW/BROWN	12
BROWN/GREEN	13
WHITE	14
YELLOW	15
PINK	16
GRAY/BROWN	17
GRAY/PINK	18
	19

WIRING DIAGRAM



- NOTES:
1. MATERIAL: SEE TABLE
 2. FINISHES: SEE TABLE
 3. MATES WITH: 19 POLE MALE MINI-CHANGE
 4. ELECTRICAL SPECIFICATIONS:
VOLTAGE RATING: 300V AC/DC
CURRENT RATING: 3 AMPS (18 AWG)
2 AMPS (22 AWG)
 5. ASSEMBLY IS RoHS COMPLIANT

7	1	OVERMOLD	PVC	YELLOW
6	1	COUPLING NUT, C-SIZE	DIE CAST ZINC	BLACK
5	1	FRICTION RING, C-SIZE	NYLON	WHITE
4	16	FEMALE CONTACT	Cu ALLOY	GOLD PLATED
3	3	FEMALE CONTACT/SLEEVE ASSY	BRASS/SS	GOLD PLATED
2	2	INSERT, FEMALE, 19 POLE	PVC	YELLOW
1	1	CABLE, 3 X 0.75mm ² (18 AWG) + 16 X 0.34mm ² (22 AWG)	PUR OUTER JACKET	BLACK
ITEM	QTY.	DESCRIPTION	MATERIAL	FINISH

RELEASED	EC NO: WNA2010-0046	2009/07/21
DRWNR:STONE	CHKD:B.WOODMAN	APPR:J.MURPHY
DESCRIPTION	2009/08/10	
REV	A	

QUALITY SYMBOLS	GENERAL TOLERANCES (UNLESS SPECIFIED)
▽=0	mm INCH
▽=0	4 PLACES ± --- ± ---
	3 PLACES ± --- ± ---
	2 PLACES ± --- ± .01
	1 PLACE ± 0.3 ± ---
	ANGULAR ± 1/2°
	DRAFT WHERE APPLICABLE MUST REMAIN WITHIN DIMENSIONS

DIMENSION STYLE	SCALE	DESIGN UNITS	THIRD ANGLE PROJECTION
IN/MM	1.5:1	INCH	
DRAWN BY	DATE	TITLE	
R.STONE	2009/07/16	MINI-CHANGE 19 POLE FEMALE, STRAIGHT CABLE ASSEMBLY	
CHECKED BY	DATE		
B.WOODMAN	2009/07/20		
APPROVED BY	DATE		
J.MURPHY	2009/07/23		
MATERIAL NO.	DOCUMENT NO.	SHEET NO.	
SEE CHART	SD-130008-007	1 OF 1	
SIZE	THIS DRAWING CONTAINS INFORMATION THAT IS PROPRIETARY TO MOLEX INCORPORATED AND SHOULD NOT BE USED WITHOUT WRITTEN PERMISSION		

MOLEX	MOLEX INCORPORATED
SD-130008-007	
THIS DRAWING CONTAINS INFORMATION THAT IS PROPRIETARY TO MOLEX INCORPORATED AND SHOULD NOT BE USED WITHOUT WRITTEN PERMISSION	